



A max. counter-pressure of 8 bar at T is permitted for the variant with a microswitch (M1).

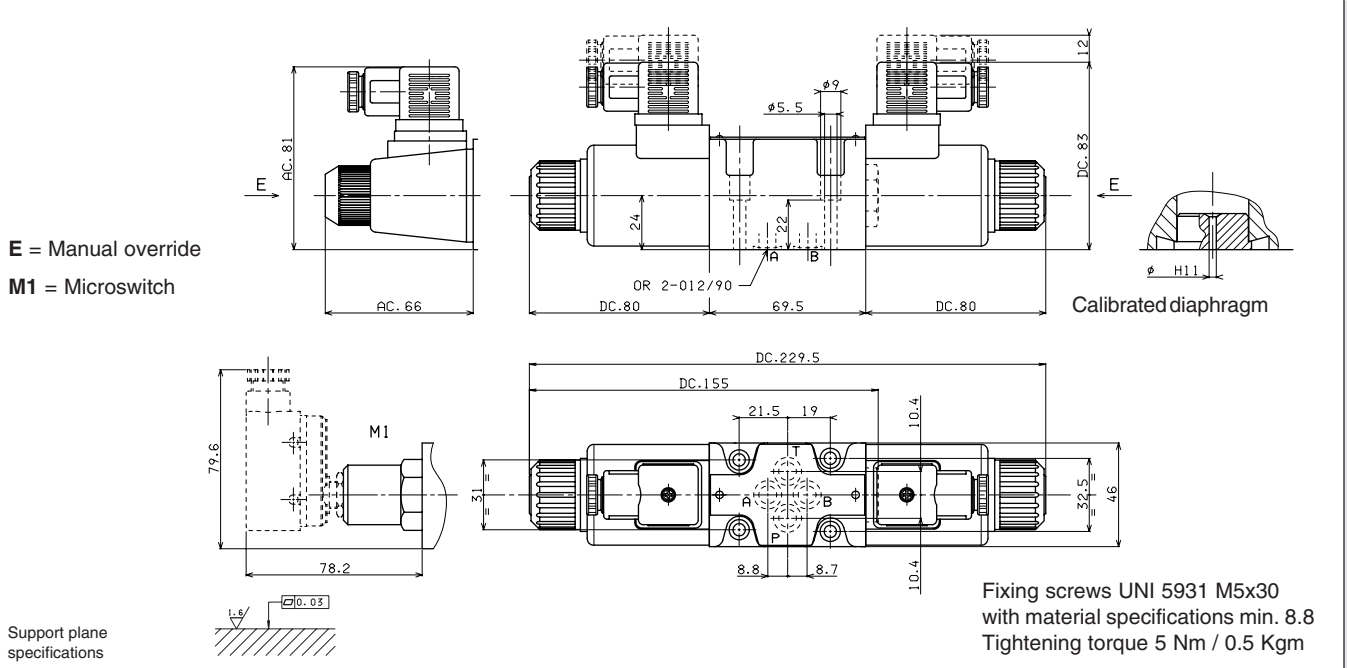
(*) Pressure dynamic allowed for 2 millions of cycles.

Max. pressure port P/A/B	350 bar
Max. pressure port T (for DC) see note (*)	250 bar
Max. pressure port T (for AC)	160 bar
Max. flow	60 l/min
Max. excitation frequency	3 Hz
Duty cycle	100% ED
Fluid viscosity	10 ÷ 500 mm ² /s
Fluid temperature	-25°C ÷ 75°C
Ambient temperature	-25°C ÷ 60°C
Max. contamination level	class 10 in accordance with NAS 1638 with filter β ₂₅ ≥ 75
Weight with one DC solenoid	1,65 Kg
Weight with two DC solenoids	2 Kg
Weight with one AC solenoid	1,25 Kg
Weight with two AC solenoids	1,55 Kg

CALIBRATED DIAPHRAGMS (**)	
ø (mm)	Code
blind	M52.05.0023/4
0.5	M52.05.0023/1
0.6	M52.05.0023/6
0.7	M52.05.0023/8
0.8	M52.05.0023
1.0	M52.05.0023/2
1.2	M52.05.0023/3
1.5	M52.05.0023/7
2.0	M52.05.0023/10
2.2	M52.05.0023/9
2.5	M52.05.0023/5

(**) For high differential pressure please contact our technical department.

OVERALL DIMENSIONS

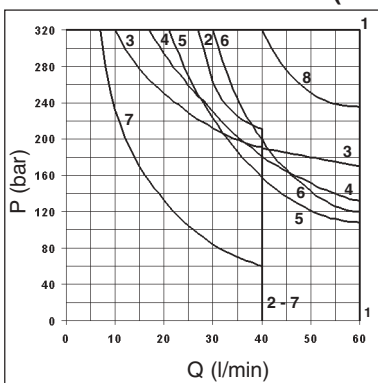


LIMITS OF USE

The tests have been carried out with solenoids at operating temperature and a voltage 10% less than rated voltage with a fluid temperature of 40°C. The fluid used was a mineral oil with a viscosity of 46 mm²/s at 40°C. The values in the diagram refers to tests carried out with the oil flow in two directions simultaneously T = 2 bar (e.g. from P to A and the same time B to T). In the case where valves 4/2 and 4/3 were used with the flow in one direction only, the limits of use could have variations which may even be negative. Rest times: the values are indicative and depend on following parameters: hydraulic circuit, fluid used and variations in hydraulic scales (pressure P, flow Q, temperature T).

Direct current:	Energizing	30 ÷ 50 ms.	Alternating current:	Energizing	8 ÷ 30 ms.
	De-energizing	10 ÷ 30 ms.		De-energizing	15 ÷ 55 ms.

DIRECT CURRENT SOLENOIDS (DC)



Spool type	Solenoids	
	DC	AC
01	1	9
02	1	10
03	8	11
04	6	12
44	1	10
05	3	13
06 - 66	5	11
11 - 22	4	17
14 - 28	2	14
15	7	15
16	1	16

Curves

ALTERNATING CURRENT SOLENOIDS (AC)

