

# AD.3.I... AUTOMATIC RECIPROCATING VALVES CETOP 3



1



AD.3.I...

These automatic reciprocating valves, with interface UNI ISO 4401 - 03 - 02 - 0 - 94 standard (ex CETOP R 35 H 4.2-4-03), reverse the movement of an actuator every time the flow through the valve stops. With no max. pressure valves inside the body, the spool is moved by two springs and locked by unbalanced pressure inside valve; when no more flow is crossing the valve, the spool changes the position inverting the direction of the actuator.

With a preferential starting P → B and A → T position, these valves are mainly used to control the movement compactors or system where is not possible to use electrical device.

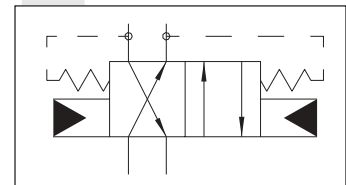
Max. operating pressure port P	320 bar
Max. flow	30 l/min
Minimum permitted flow	3 l/min
Fluid viscosity	20 ÷ 200 mm <sup>2</sup> /s
Fluid temperature	-20°C ÷ 60°C
Max. contamination level(*) class 10 in accordance with NAS 1638 with filter β <sub>25</sub> ≥ 75	
Positioner activating force (measured with 1 bar on the T line)	130 N
Weight of version without positioner	0,95 Kg
Weight of version with positioner	1 Kg

(\*) Max contamination level must be respect to obtain the right function of the valve

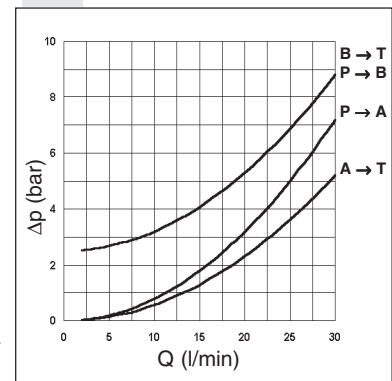
### ORDERING CODE

<b>AD</b>	Directional valve
<b>3</b>	CETOP 3/NG6
<b>I</b>	Automatic reciprocating valve at null flow
<b>P</b>	Version with positioner to adjust the pressure relief valve of the system
<b>**</b>	<b>00</b> = No variant <b>V1</b> = Viton
<b>1</b>	Serial No.

### HYDRAULIC SYMBOL

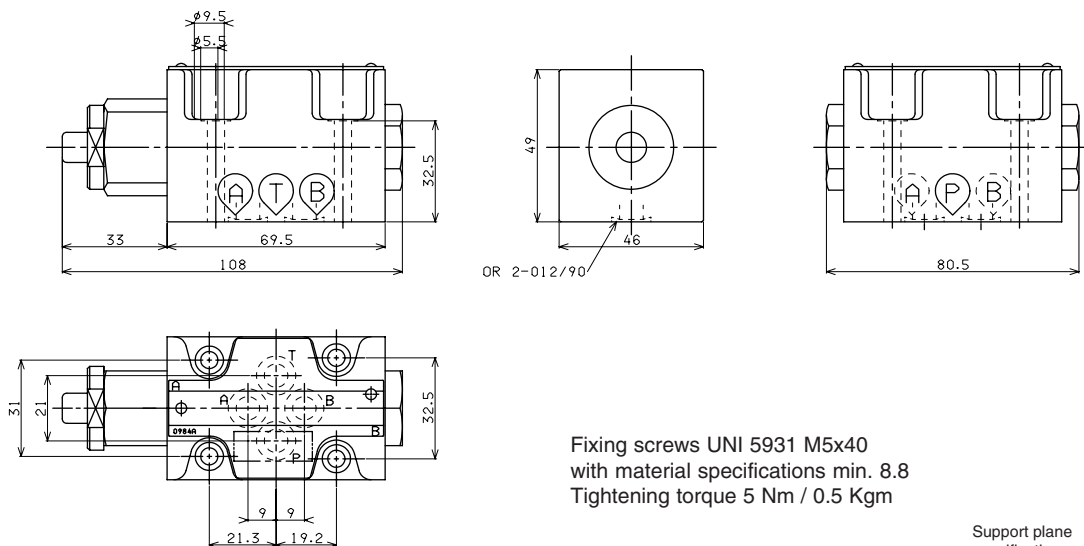


### PRESSURE DROPS



Tests carried out with mineral oil at a temperature of 40°C with viscosity of 46 mm<sup>2</sup>/s.

### OVERALL DIMENSIONS



Fixing screws UNI 5931 M5x40 with material specifications min. 8.8  
Tightening torque 5 Nm / 0.5 Kgm

Support plane specifications

