



ADL10.6... FLOW DIVERSION VALVES



The 6 way flow diversion valves are special solenoid valves which allow the simultaneous connection of two systems.

In order to obtain valve's working at pressure of 250 bar up to 320 bar (external drainage) the G 1/8" BSP plug must be removed to Y connector.

Max. pressure (without drainage, Y plugged)	250 bar
Max. pressure (external drainage)	320 bar
Max. flow	80 l/min
Fluid viscosity	10 ÷ 500 mm ² /s
Fluid temperature	-25°C ÷ 75°C
Ambient temperature	-25°C ÷ 60°C
Max. contamination level	class 10 in accordance with NAS 1638 with filter $\beta_{25} \geq 75$
Weight	3,6 Kg

ADL10.6...

"A16" DC COILS	CH. I PAGE 68
STANDARD CONNECTORS	CH. I PAGE 19

ORDERING CODE

ADL10	Flow diversion valves NG10
6	No. of way
J	Connectors 3/4"BSP
I	Without drainage Y connector plugged
*	Voltage (see table 1)
**	Variants (see table 2)
1	Serial No.

TAB.1 - A16 COIL

DC VOLTAGE	
L	12V
M	24V
N	48V*
P	110V*
Z	102V*
X	205V*
W	Without DC coil

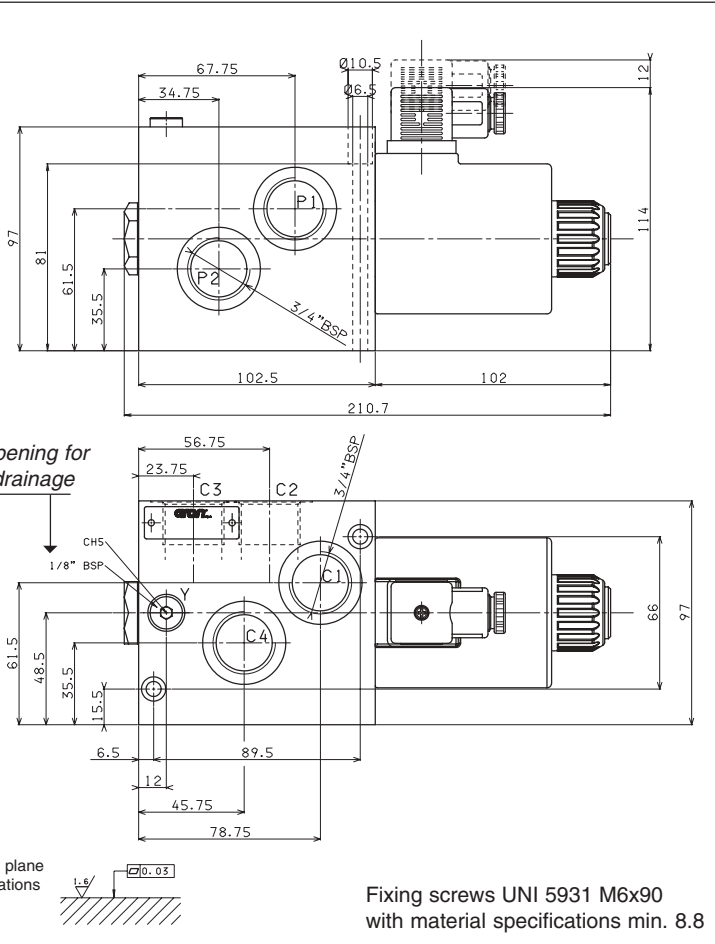
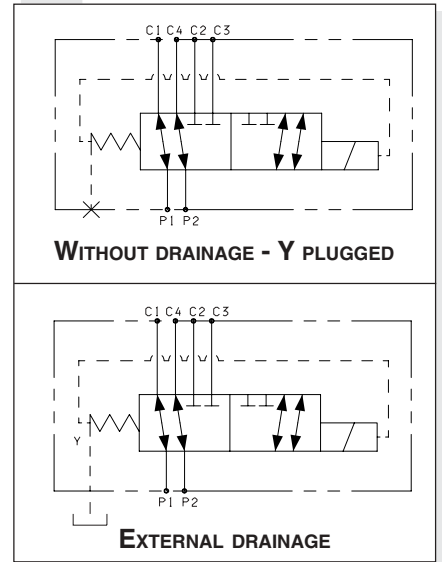
115Vac/50Hz
120Vac/60Hz
with rectifier

230Vac/50Hz
240Vac/60Hz
with rectifier

Voltage codes are not stamped on the plate, they are readable on the coils.

* Special voltage

DRAINS AND HYDRAULIC SYMBOLS



TAB.2 - VARIANTS

VARIANT	CODE
No variant (connectors as in the drawing)	00
Viton	V1
Pilot light	X1
Rectifier	R1
Flow diversion without connector (coil)	S1
Viton + Pilot light	VX
Viton + Rectifier	VR
Pilot light + Rectifier	XR
Emergency button	E1
Rotary emergency button	P1

PRESSURE DROPS

