



# AM.66... MODULAR COMPENSATED FLOW CONTROL ASSEMBLY CETOP 3



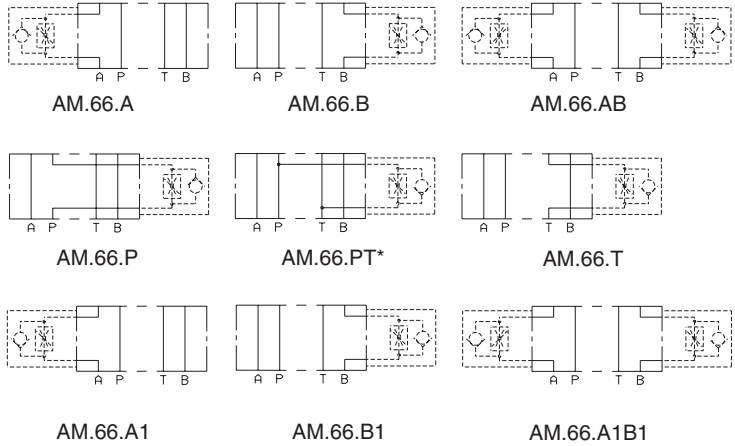
This is an intermediate block (AM.66) for modular mounting of one or two flow rate regulators type QC.3...

The flow regulator type QC.3.2... must be ordered separately.

Max. operating pressure	320 bar
Hydraulic fluids	Mineral oils DIN 51524
Fluid viscosity	10 ÷ 500 mm <sup>2</sup> /s
Fluid temperature	-25°C ÷ 75°C
Ambient temperature	-25°C ÷ 60°C
Max. contamination level	class 10 in accordance with NAS 1638 with filter $\beta_{25} \geq 75$
Weight	1,3 Kg

<b>AM.66...</b>	
QC.3.2...	CH. III PAGE 2
SCREWS AND STUDS	CH. IV PAGE 21

## HYDRAULIC SYMBOLS



**PT \*** = From line towards exhaust (**P**→**T** drain)

• In order to obtain versions with regulation on **T**, the AM.66.P regulator carrying block should be turned by 180°.

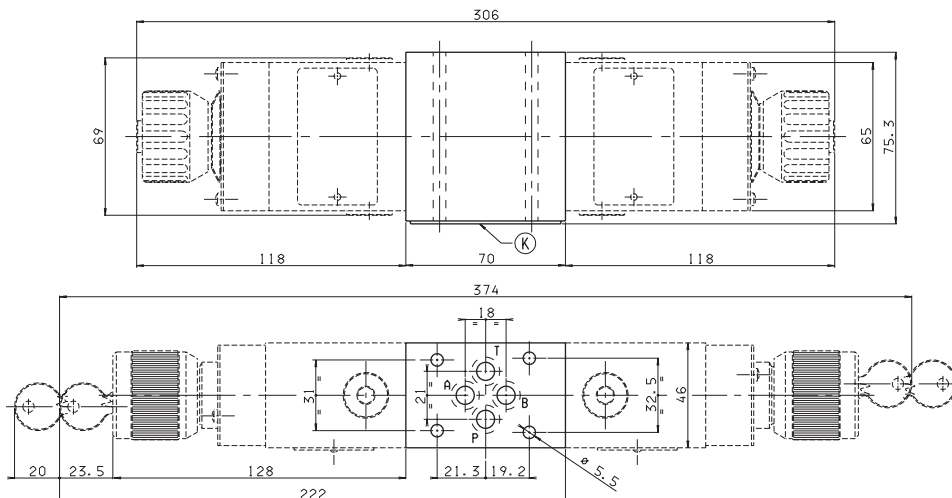
• In order to obtain versions **A1**, **B1** and **A1B1** the AM.66.B, AM.66.A or AM.66.AB regulators carrying block should be turned by 180°.

## ORDERING CODE

<b>AM</b>	Modular valve
<b>66</b>	Size
<b>**</b>	Control on lines <b>A / B / P / PT* / AB</b> For T / A1 / B1 / A1B1 versions see table "Hydraulic symbols"
<b>**</b>	<b>00</b> = No variant <b>V1</b> = Viton
<b>3</b>	Serial No.

## OVERALL DIMENSIONS

K = OR plate



Support plane specifications

