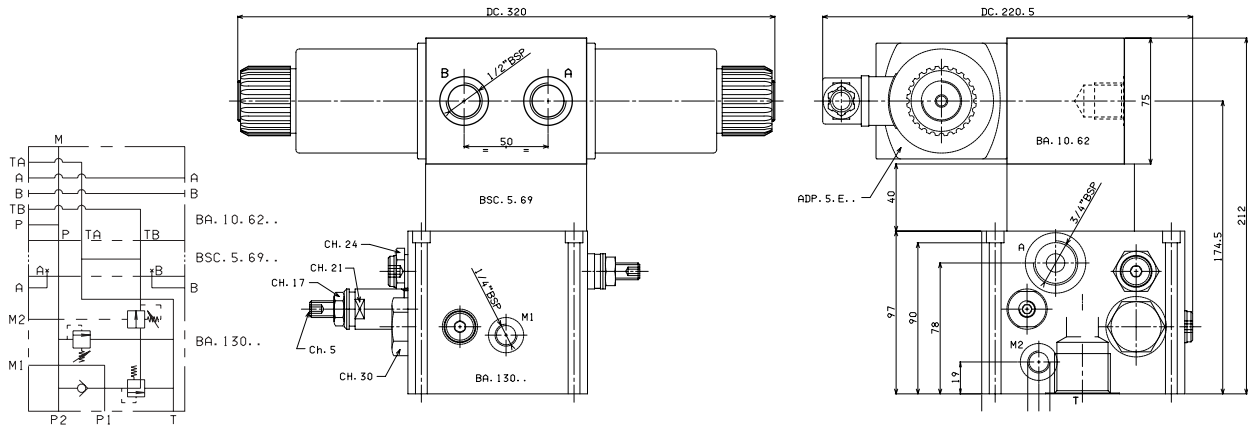


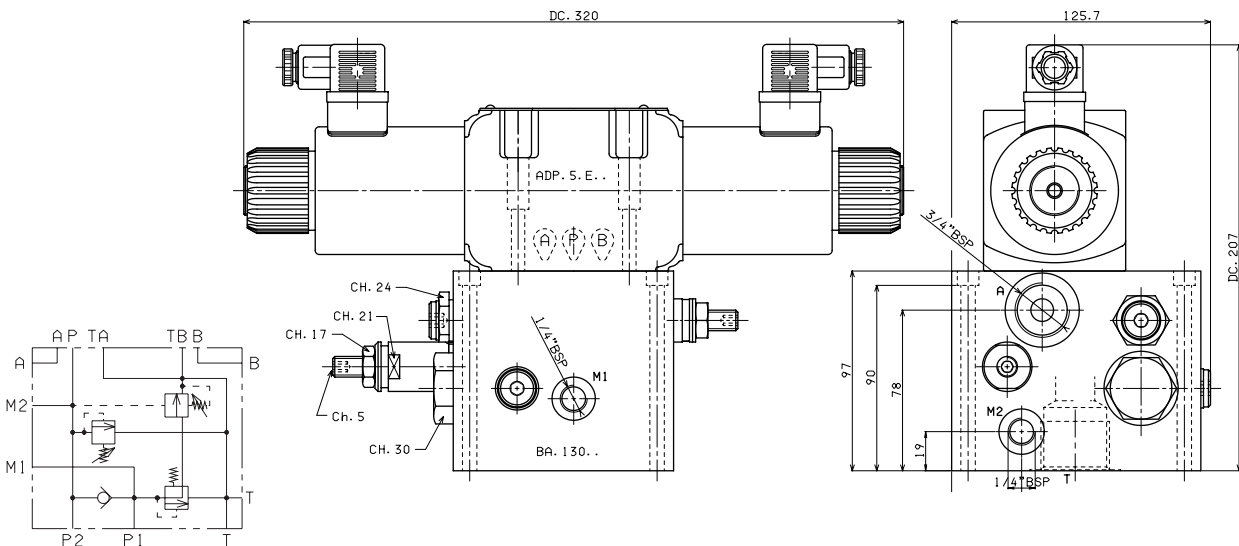
OVERALL DIMENSIONS AND HYDRAULIC SYMBOLS

SIDE MOUNTING FOR SINGLE SOLENOID VALVE CETOP5/NG10 (CONNECTOR BLOCK BA.10.62)

Fixing screws M10x80 UNI 5931

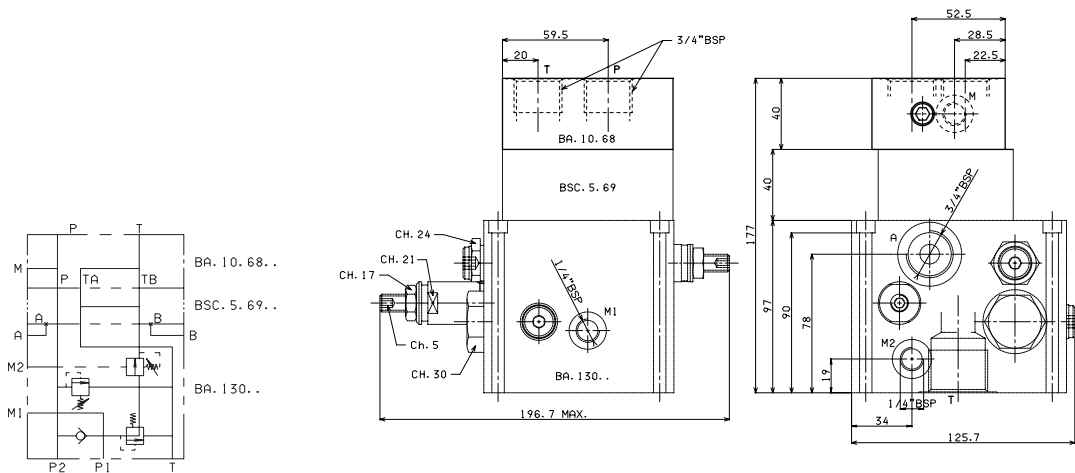


UPPER MOUNTING FOR SINGLE SOLENOID VALVE CETOP5/NG10



MOUNTING WITH THREADED CONNECTORS (CONNECTOR BLOCK BA.10.68)

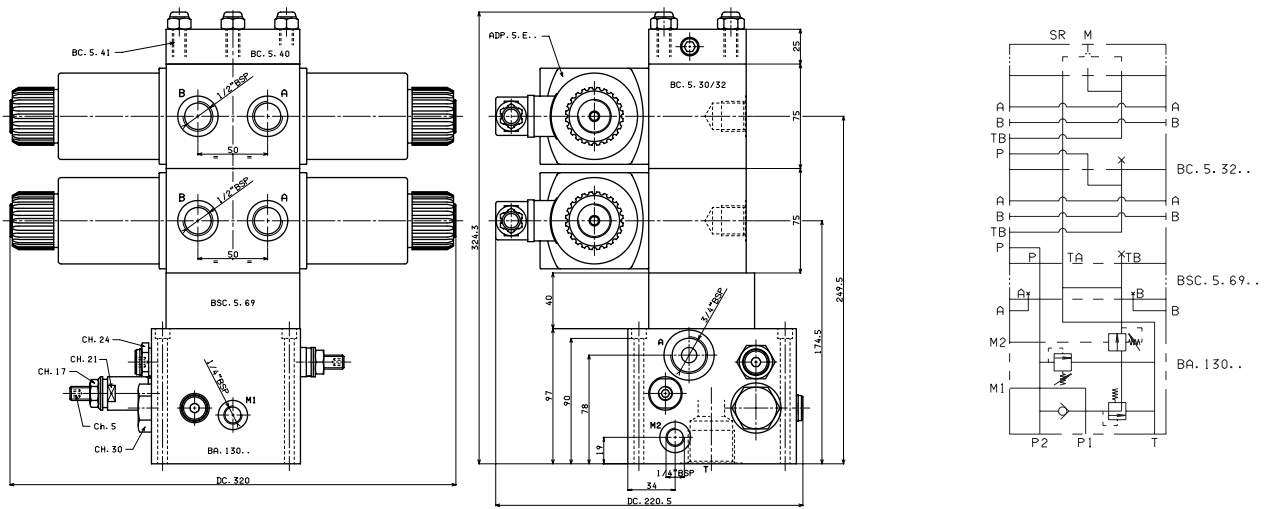
Fixing screws M10x45 UNI 5931



10

OVERALL DIMENSIONS AND HYDRAULIC SYMBOL

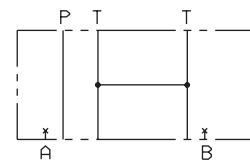
MULTIPLE MOUNTING WITH MODULAR COMPONENT CONNECTOR BLOCKS CONNECTED IN SERIES OR PARALLEL CETOP5/NG10



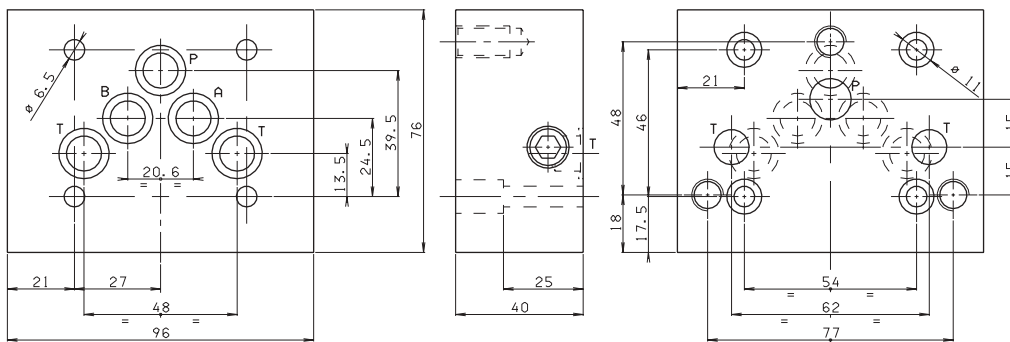
BSC.5.69... TRANSFORMATION MOUNTING CETOP 5 INTERFACE TO MODULAR COMPONENT BC.5...

- BSC** Modular component subplate
- 5** CETOP 5/NG10
- 69** Type of module: to modular component BC5
- 00** No variant
- 1** Serial No.

Fixing screws M6x35 UNI 5931
Weight 2,1 Kg



BSC. 5. 69. .



10