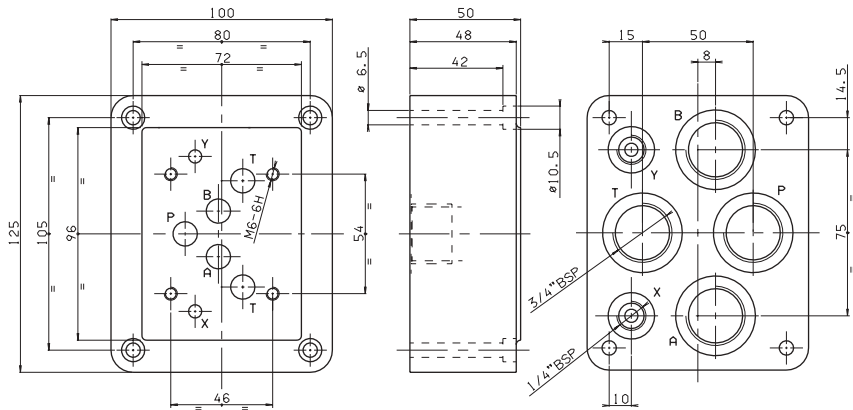


**BSH.5.13 WITH P, T AND A, B REAR 3/4" BSP, X AND Y CLEARANCE HOLES**

- BSH** Single plate for piloted valve
- 5** CETOP 5/NG10
- 13** 3/4" BSP rear connectors
- 00** No variant
- 1** Serial No.

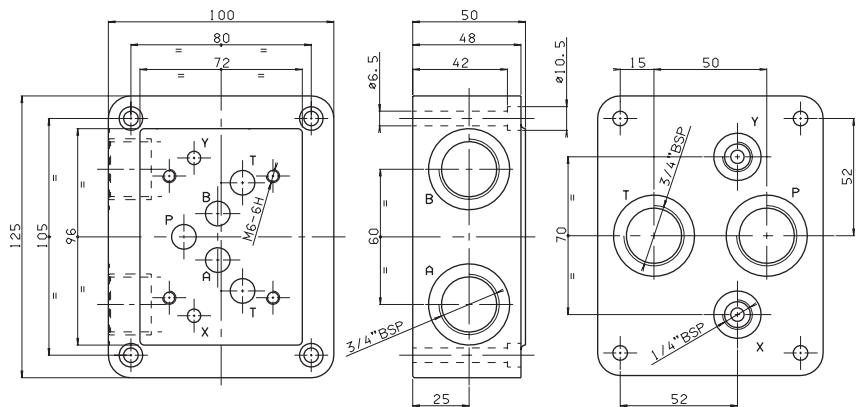
Weight: 3,8 Kg  
Fixing screws M6x50 UNI 5931



**BSH.5.17 WITH P AND T REAR AND A, B SIDE 3/4" BSP, X AND Y CLEARANCE HOLES**

- BSH** Single plate for piloted valve
- 5** CETOP 5/NG10
- 17** 3/4" BSP rear and side connectors
- 00** No variant
- 1** Serial No.

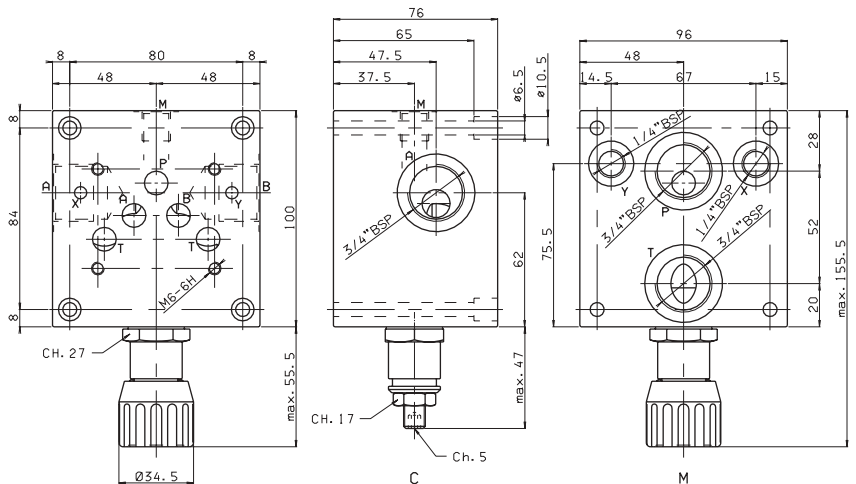
Weight: 3,9 Kg  
Fixing screws M6x50 UNI 5931



**BSH.5.31 WITH P AND T REAR, A AND B SIDE 3/4" BSP, X AND Y CLEARANCE HOLES WITH MAXIMUM PRESSURE VALVE**

- BSH** Single plate for piloted valve
- 5** CETOP 5/NG10
- 31** 3/4" BSP rear and side connectors
- \*** **M** = Plastic knob  
**C** = Grub screw
- \*** Setting ranges  
**1** = Max 50 bar  
**2** = Max 140 bar  
**3** = Max 320 bar
- \*\*** **00** = No variant  
**V1** = Viton
- 2** Serial No.

Weight: 5,5 Kg  
Fixing screws M6x75 UNI 5931



• For the minimum permissible setting pressure depending on the spring, see minimum setting curve pressure CMP30