

# VMP.20 MAXIMUM / DIRECT PRESSURE VALVES IN LINE MOUNTING



VMP.20...

CMP.20...

CH. V PAGE 20

The maximum pressure valves VMP20... are direct action units. Their use essential for the limitation of hydraulic system pressure. In order to achieve a more convenient calibration adjustment the whole pressure range (2÷250 bar) has been subdivided into 3 smaller bands, as shown in the ordering part number table. For each pressure band, a different calibration spring is used, selected for the corresponding minimum operating pressure. The CMP20 cartridge is of direct acting type.

Max. pressure	250 bar	
Setting range:	Spring 1	max. 30 bar
	Spring 2	max. 140 bar
	Spring 3	max. 250 bar
Max. flow	80 l/min	
Hydraulic fluids	Mineral oils DIN 51524	
Fluid viscosity	10 ÷ 500 mm <sup>2</sup> /s	
Fluid temperature	-25°C ÷ 75°C	
ambient temperature	-25°C ÷ 60°C	
Max. contamination level	class 10 in accordance with NAS 1638 with filter β <sub>25</sub> ≥ 75	
Weight	1,7 Kg	

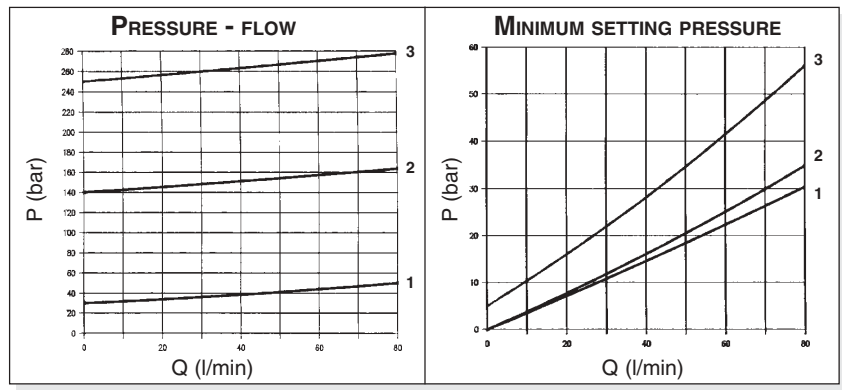
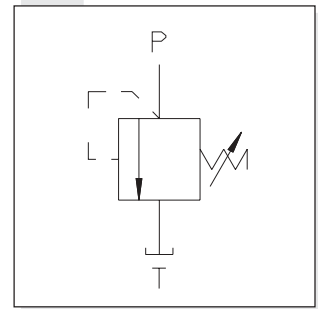
• The minimum permissible setting pressure depending on the spring: see curves below

2

## ORDERING CODE

- VMP** Max. pressure valve
- 20** Connector size: 1/2" BSP
- \*** Type of adjustment  
**M** = Steel knob  
**C** = Grub screw  
**V** = Handwheel
- \*** Setting ranges  
**1** = max. 30 bar (white spring)  
**2** = max. 140 bar (yellow spring)  
**3** = max. 250 bar (green spring)
- \*\*** **00** = No variant  
**V1** = Viton
- 2** Serial No.

## HYDRAULIC SYMBOL



## OVERALL DIMENSIONS

