

TANK MOUNTED RETURN LINE FILTERS SERIES HF 502



Replaces: HF 502 01 T E

The tank mounted filters HF 502 series are specifically designed to be directly connected on the hydraulic circuits return line and provide versatility to safeguard the circuit components from contaminating particles.

- ADJUSTABLE SETTING BY-PASS VALVE - REMOVABLE AND REUSABLE
- MINIMUM EXTENSION FROM THE TANK
- INTERCHANGEABLE WITH HF 550 AND HF 554 SERIES

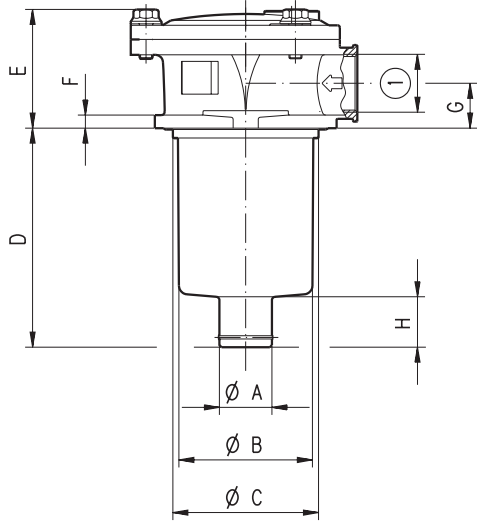
COMPLETE FILTER		
MATERIALS	Cover	Aluminum
	Housing	Aluminum
	Bowl	Reinforced nylon - Steel
	Seals	Buna - Viton
FLUID COMPATIBILITY CONFORMING TO ISO 2943	With reference to ISO 6743/4	With fluid (HH-HL-HM-HR-HV-HG), and water emulsion (HFAE-HFAS) use filters with Buna seals. With water - glycol (HFC) ask for anodizing treatment.
		With synthetic fluid (HS-HFDR-HFDU-HFDS) use filters with Viton seals.
FLOW RANGE	min.	20 [l/min]
	max.	600 [l/min]
WORKING PRESSURE	max.	800 [kPa] 8 bar
TESTING PRESSURE		1200 [kPa] 12 bar
BURST PRESSURE		1600 [kPa] 16 bar
OPERATING TEMPERATURE	With Buna seals	- 20 + 80 [°C]
	With Viton seals	- 20 + 110 [°C]
FILTER ELEMENTS		
MATERIALS	End cap - Inner tube	Zinc plated steel
	Filter media	Steel
		Phosphor bronze
		Cellulose - Reinforced cellulose
		Micro-fibre glass
REMOVAL RATING		Conforming to ISO 16889
ELEMENT COLLAPSE PRESSURE RATING	Conforming to ISO 2941	1000 [kPa] 10 bar

Edition: 02/10.2001

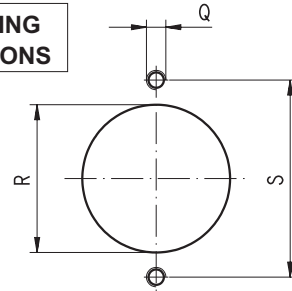
IKRON S.r.l.

43044 Lemignano di Collecchio (PR) - Italy Via C. Prampolini, 2
Telephone: (+ 39) 0521 304911 - Fax (+ 39) 0521 304900 - <http://www.casappa.com> - e-mail: ikron@casappa.com

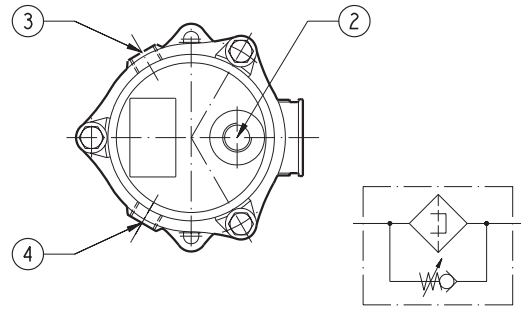
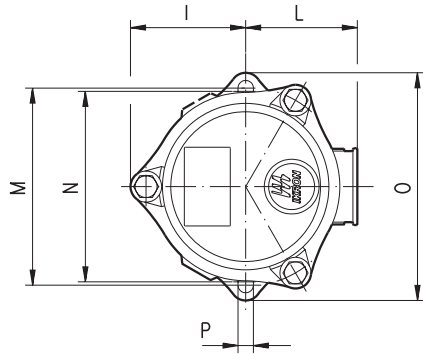
TECHNICAL DATA



TANK MOUNTING HOLE DIMENSIONS



Filter type	Q	R	S
		mm	mm
HF 502-10.060	M 6	67,5	89 ^{±1}
HF 502-10.129			
HF 502-20.077	M 8	88,5	115 ^{±1}
HF 502-20.122			
HF 502-20.201			

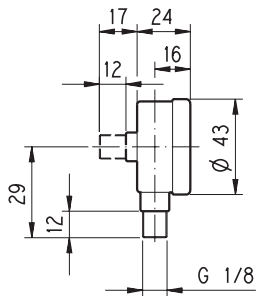


DI14-D01/1001

DI14-D02/0501

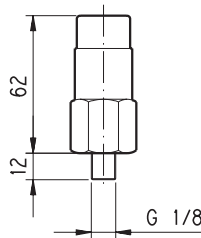
PRESSURE/VACUUM GAUGE

M
N



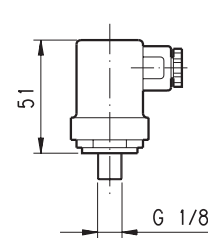
VISUAL INDICATOR

P



ELECTRICAL INDICATOR

S



Filter type	Ø A	Ø B	Ø C	D	E	F	G	H	I	L	M	N	O	P
	mm	mm	mm	mm	mm	mm	mm	mm	mm	mm	mm	mm	mm	mm
HF 502-10.060	24	62	66,5	83	54,5	8	20,5	22	52,6	51	90	88	104	7
HF 502-10.129				152,2										
HF 502-20.077	27,4	80	87,5	106,5	73	11	28,5	27	67	67	116	114	135	8,5
HF 502-20.122				151,5										
HF 502-20.201				40				232,5						

Filter type	① (GAS - BSPP)		(GAS - BSPP) Indicators		② Filler cap
	Standard (*)	On request (*)	Standard	On request	
HF 502-10.060	G 1/2	G 3/8 - G 3/4	②④ G 1/8	②④ G 1/4	Not available
HF 502-10.129	G 3/4	G 3/8 - G 1/2			
HF 502-20.077	G 3/4	G 1/2	②③④ G 1/8	②③④ G 1/4	G 1/2
HF 502-20.122	G 1	G 3/4			
HF 502-20.201					

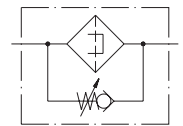
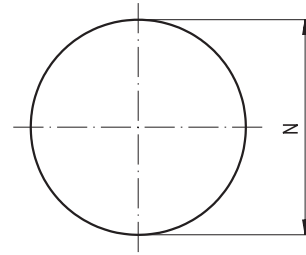
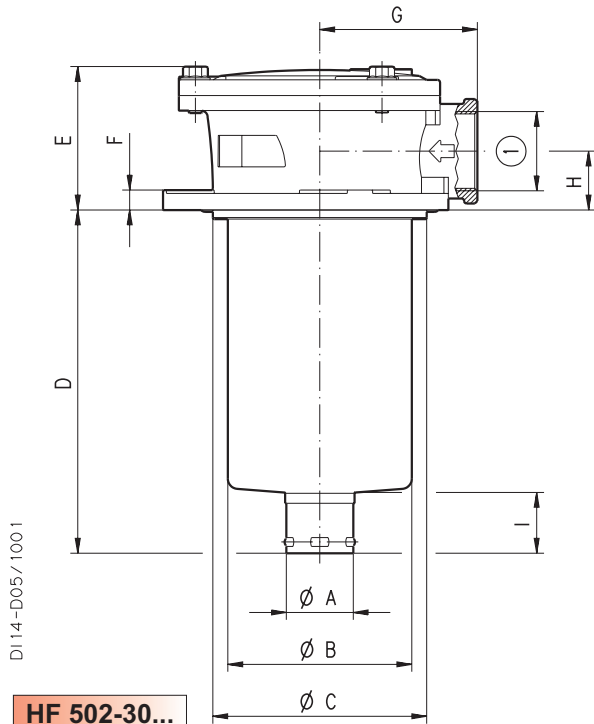
(*) NPT, metric and SAE UN-UNF threads are available (consult our technical department).

Replaces: 01/10.99

DI14-002 - 02/10.01

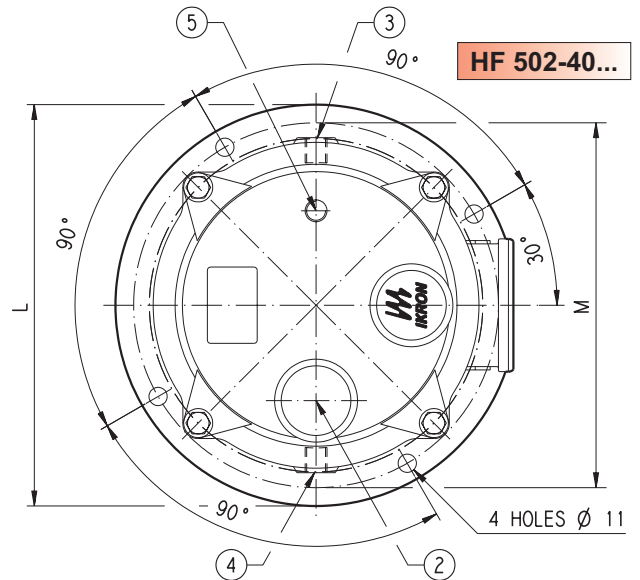
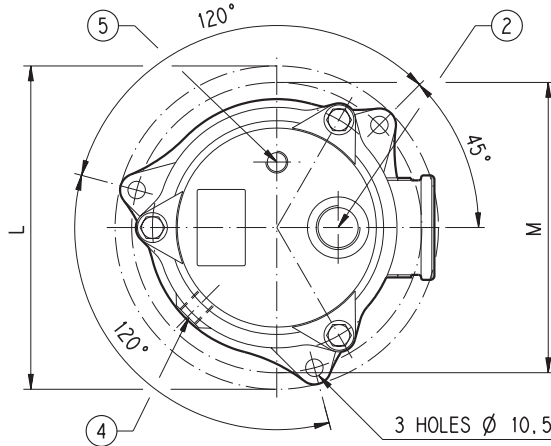
TECHNICAL DATA

TANK MOUNTING HOLE DIMENSIONS



HF 502-30...

HF 502-40...



Filter type	Ø A	Ø B	Ø C	D	E	F	G	H	I	L	M	Ø N
	mm	mm	mm	mm	mm	mm	mm	mm	mm	mm	mm	mm
HF 502-30.162	40,5	111	129	229,5	86,5	12	95	35,5	36,5	195	175	130
HF 502-30.195				273,5								
HF 502-30.239				273,5								
HF 502-40.122	50	151	174	171	108	11,5	119	41	44,5	242	220	175
HF 502-40.162	64			238								
HF 502-40.194	50			238								
HF 502-40.195	64			238								
HF 502-40.239	64			298								
HF 502-40.239	64			298								

Filter type	① (GAS - BSPP)		(GAS - BSPP) Indicators		② Filler cap
	Standard (*)	On request (*)	Standard	On request	
HF 502-30.162	G 1 1/4	G 1 - G 1 1/2	④ ⑤ G 1/8	④ ⑤ G 1/4	G 3/4
HF 502-30.195	G 1 1/4	G 1 - G 1 1/2			
HF 502-30.239	G 1 1/2	G 1 - G 1 1/4			
HF 502-40.122	G 1 1/2	G 2	③ ④ ⑤ G 1/8	③ ④ ⑤ G 1/4	G 1 1/4
HF 502-40.162					
HF 502-40.194					
HF 502-40.195					
HF 502-40.239					

(*) NPT, metric and SAE UN-UNF threads are available (consult our technical department).

Replaces: 01/10.99

Di14-002 - 02/10.01

HOW TO ORDER A COMPLETE FILTER

1	2	3	4	5	6	7
HF502-10.060	- AS	- FB060	- B17	- GC	- B	H
8	9	10	11			
Z	- XD	- GA	- N			

1	Filter type	CODE
See table page 2 and 3		HF502-...
2	Filtering surface	CODE
Standard		AS
3	Degree of filtration	CODE
3	[µm] Micro-fibre glass	FG003
6	[µm] Micro-fibre glass	FG006
10	[µm] Micro-fibre glass	FG010
25	[µm] Micro-fibre glass	FG025
60	[µm] Phosphor bronze	FB060
125	[µm] Phosphor bronze	FB125
90	[µm] Steel wire mesh	MS090
10	[µm] Cellulose	SP010
25	[µm] Cellulose	SP025
10	[µm] Reinforced cellulose	RP010
25	[µm] Reinforced cellulose	RP025
4	By-pass valve	CODE
Setting 170 [kPa]; 1,7 [bar]		B17
Setting 210 [kPa]; 2,1 [bar]		B21
Setting 350 [kPa]; 3,5 [bar]		B35

5	Inlet port	CODE
Thread GAS (BSPP)		
G 3/8		GC
G 1/2		GD
G 3/4		GE
G 1		GF
G 1 1/4		GG
G 1 1/2		GH
G 2		GL
6	Seals	CODE
Buna		B
Viton		V
7	Filler cap	CODE
None		H
With filler cap		L
8	Magnetic set	CODE
None		Z
With magnetic set		R

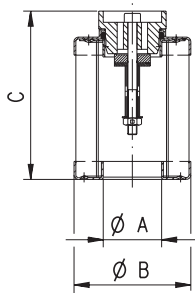
9	Indicators arrang.	CODE
None		XN
On the cover ② (⑤ **)		XD
On the housing-right side ③ *		XA
On the housing-left side ④		XB
10	Dim. indicat. ports	CODE
Thread GAS (BSPP)		
G 1/8		GA
G 1/8 WITH PLUG		DA
G 1/4		GB
G 1/4 WITH PLUG		DB
11	Indicators	CODE
None		G
Pressure/vac. gauge rear. conn.		M
Pressure/vac. gauge rad. conn.		N
Visual indicator		P
Electrical indicator		S

- * Only for HF 502-20 and HF 502-40
- ** Only for HF 502-30 and HF 502-40

Standard
 On request

Note: On request steel bowl is available for HF502-10 and HF502-20.

FILTERING ELEMENTS - TECHNICAL DATA



Dr14-D03/0501

Element type	Ø A	Ø B	C	Standard filtering surface	
				cm ²	
				FB	SP / RP
HE K02-10.060	26	52	75	225	400
HE K02-10.129	24,6		148,4	490	860
HE K02-20.077	29	70	94,7	445	850
HE K02-20.122			139,7	615	1350
HE K02-20.201	41	99	219,7	930	2035
HE K02-30.162	41		179,2	1700	3000
HE K02-30.195			212,2	2050	4485
HE K02-30.239	256,2		2510	5500	
HE K02-40.122	52	130	139,2	2175	4810
HE K02-40.162	65		179,2	2625	5335
HE K02-40.194	52		212,2	3160	6425
HE K02-40.195	65				
HE K02-40.239			256,2	4390	7875

HOW TO ORDER A REPLACEMENT ELEMENT

1	2	3	4	5	6
HE K02-10.060	- AS	- FB060	- VM	- B17	- B

1	Element type	CODE
See table		HE K...
2	Superficie filtrante	CODE
Standard		AS
3	Grado di filtrazione	CODE
See table ref. 3 ♦		

4	By-pass valve	CODE
With valve and spring		VM
With valve - without spring		VV
Without valve - without spring		OO
5	Setting valve	CODE
See table ref. 4 ♦		

6	Seals	CODE
See table ref. 6 ♦		

♦ Table how to order a complete filter.

Replaces: 01/10.99

Dr14-002 - 02/10.01