

# SUCTION FILTERS HF 410 SERIES



Replaces: HF 410 01 T E

The tank submerged suction filters HF 410 series are designed to be fitted directly on pump intake and provide versatility to safeguard the hydraulic components from contaminating particles.

- ARRANGED FOR CLOGGING INDICATOR
- BY-PASS VALVE (Standard setting - 20 [kPa]; - 0,2 [bar])
- MAGNETIC SET

<b>MATERIALS</b>	Connecting head	Reinforced nylon
	End cap	Zinc plated steel
	Inner tube	Zinc plated steel
	Filter media	Phosphor bronze
		Steel wire mesh
Seals	Stainless steel wire mesh	
<b>FLUID COMPATIBILITY CONFORMING TO ISO 2943</b>	With reference to ISO 6743/4	With mineral oil (HH-HM-HR-HV-HG) and synthetic fluid (HS-HFDR-HF DU-HFDS)
<b>ELEMENT COLLAPSE PRESSURE RATING</b>	Conforming to ISO 2941	100 [kPa] 1 [bar]
<b>FLOW RANGE</b>	min.	10 [l/min]
	max.	300 [l/min]
<b>DEGREE OF FILTRATION</b>	Phosphor bronze	60 - 125 [ $\mu$ m]
	Steel wire mesh	90 [ $\mu$ m]
	Stainless steel wire mesh	25 - 60 - 250 [ $\mu$ m]
<b>OPERATING TEMPERATURE</b>		- 30 + 90 [°C]

Edition: 02/07.20011

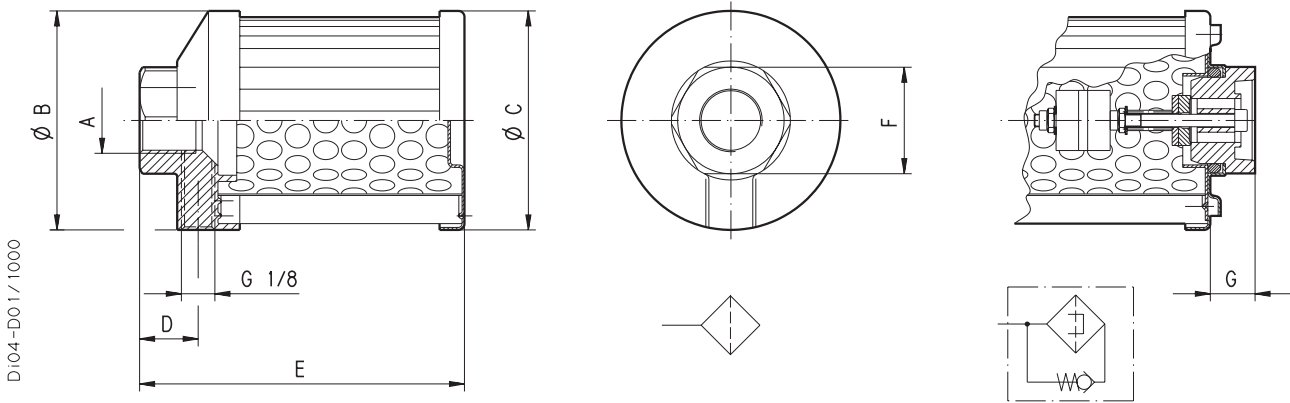
## IKRON S.r.l.

43044 Lemignano di Collecchio (PR) - Italy Via C. Prampolini, 2  
 Telephone: (+ 39) 0521 304911 - Fax (+ 39) 0521 304900 - <http://www.casappa.com> - e-mail: [ikron@casappa.com](mailto:ikron@casappa.com)

## TECHNICAL DATA

**VERSION A01**

**VERSION A06**



Filter type	A (Thread GAS - BSPP)		Ø B	Ø C	D	E	F	G	Standard filtering surface cm <sup>2</sup>	Oversized filtering surface cm <sup>2</sup>
	Standard (*)	On request (*)								
HF410-10.060	G 3/8	G 1/2	54	52	15,2	83	27	12	290	370
HF410-20.077	G 1/2	G 3/4 - G 1 - G 1 1/4	72,5	70	18,2	103	34 (■)	15	370	490
HF410-20.122	G 3/4	G 1/2 - G 1 - G 1 1/4				148			585	780
HF410-30.077	G 1	G 1 1/4 - G 1 1/2 - G 2	102	99	23,7 (●)	109	60 (□)	14,6	525	680
HF410-30.122						154			830	1075
HF410-30.162	G 1 1/4	G 1 - G 1 1/2 - G 2	132,5	130	27	194	100	14,6	1295	1425
HF410-30.195	G 1 1/2	G 1 - G 1 1/4 - G 2				227			1560	1870
HF410-40.122	G 2	G 2 1/2 - G 3	132,5	130	27	162	100	14,6	1515	2000
HF410-40.162						202			2010	2655
HF410-40.195						235			2420	3200
HF410-40.239						279			3970	5260

(\*) NPT and metric threads are available (consult our technical department).

(●) D= 28 mm only with A= G 2

(■) F= 50 mm only with A= G 1 - G 1 1/4

(□) F= 70 mm only with A= G 2

## HOW TO ORDER

<b>1</b>	<b>2</b>	<b>3</b>	<b>4</b>	<b>5</b>	<b>6</b>
HF 410-10.060	- AS	- FB060	- GC	- A01	- B1

1	Filter type	CODE
	See table above	HF 410-..

2	Filtering surface	CODE
	Standard	AS
	Oversized (on request)	FS

3	Degree of filtration	CODE
	60 [µm] Phosphor bronze	FB060
	125 [µm] Phosphor bronze	FB125
	90 [µm] Steel wire mesh	MS090
	25 [µm] Stainless steel wire mesh	MI025
	60 [µm] Stainless steel wire mesh	MI060
	250 [µm] Stainless steel wire mesh	MI250

4	Inlet port	CODE
	Thread GAS (BSPP)	
	G 3/8	GC
	G 1/2	GD
	G 3/4	GE
	G 1	GF
	G 1 1/4	GG
	G 1 1/2	GH
	G 2	GL
	G 2 1/2	GM
	G 3	GN

5	Optionals	CODE
	None (standard)	A01
	With By-pass	A02
	With By-pass and magnetic set	A06

6	Arrangement	CODE
	None	B1
	Hole for indicator	B2
	Plugged hole for indicator	B3

Standard

On request