

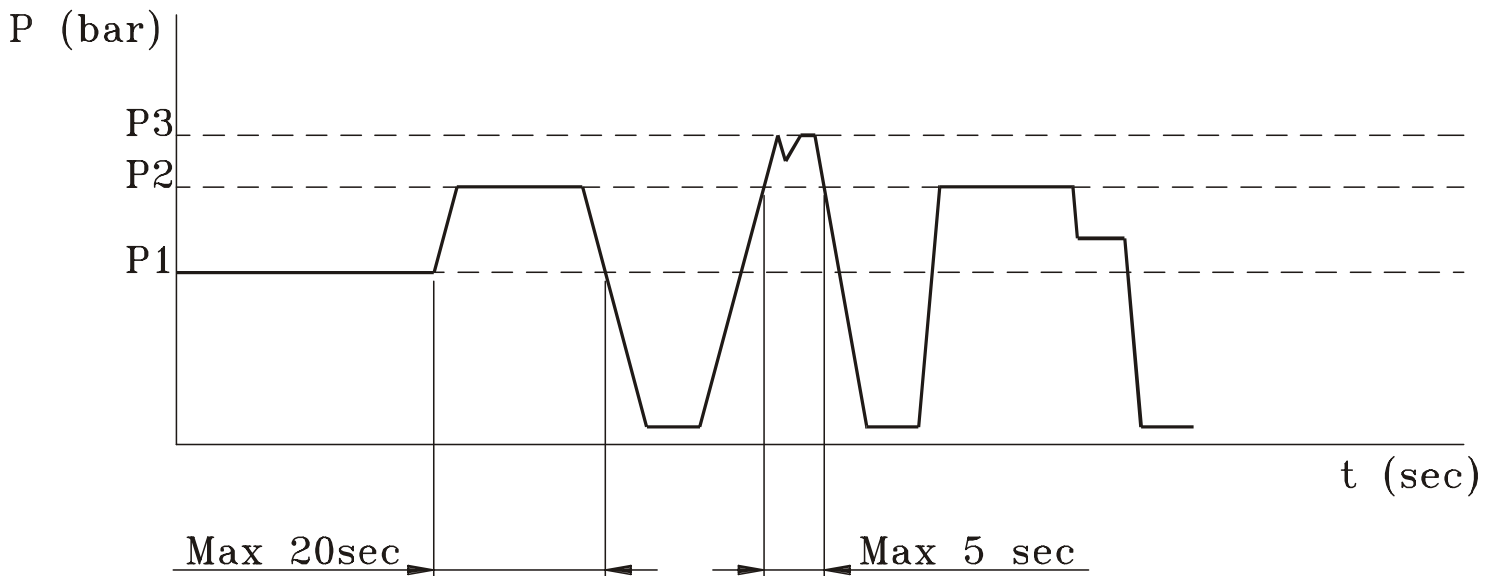
POMPE MULTIPLE AD INGRANAGGI

MULTIPLE GEAR PUMPS

GR 1 START + GR 1 START	Pag. 5
GR 1 START + GR 1 START TC	Pag. 6
GR 1 START + GR 1 START + GR 1 START TC	Pag. 8
GR 2 START + GR 1 START	Pag. 9
GR 2 START + GR 1 START TC	Pag. 11
GR 2 START + GR 2 START	Pag. 13
GR 2 START + GR 2 START TC	Pag. 14
GR 3 START + GR 1 START	Pag. 16
GR 3 START + GR 1 START TC	Pag. 18
GR 3 START + GR 2 START TC	Pag. 20
GR 3 START + GR 2 START	Pag. 21
GR 3 START + GR 3 START TC	Pag. 22
GR 3 START + GR 3 START	Pag. 23
GR 4 + GR 1 START	Pag. 24
GR 4 + GR 2 START	Pag. 24
GR 4 + GR 3 START	Pag. 24
GR 4 + GR 4	Pag. 24

LEGENDA

- **VLP** **Valvola limitatrice di pressione**
Pressure relief valve
- **VR** **Valvola di ritegno**
Check valve
- **A; B** **Effetti**
Ports
- **P** **Linea in pressione**
Pressure line
- **LC** **Libera circolazione**
Through passage
- **T** **Scarico**
Tank return line



- **P1** **Pressione massima di lavoro (continua)**
Max. continuous pressure
- **P2** **Pressione massima di esercizio (intermittente)**
Max. intermittent pressure
- **P3** **Pressione massima di punta (picco)**
Max. peak pressure

I grafici del seguente catalogo si riferiscono a prove effettuate con olio minerale di viscosità 35 mm² /s alla temperatura di 60 °C.

The diagrams of the following catalogue refer to test made with mineral oil viscosity 35 mm² /s at the temperature of 60 °C.

PRESENTAZIONE

Le pompe in Tandem (o pompe multiple) sono disponibili in esecuzione STANDARD e T.C. (Tandem corto) e possono essere a due o più stadi.

La versatilità delle nostre pompe consente il montaggio di una pompa multipla utilizzando pompe singole ed effettuando solo operazioni di disassemblaggio/assemblaggio di estrema semplicità.

- Tutte le nostre pompe standard sono già predisposte per il traino di una successiva pompa.
- Una qualità molto limitata di kit "flangia di collegamento e accessori" permette di mantenere un basso valore nel magazzino e soprattutto di dare un servizio rapido agli utilizzatori finali.

CARATTERISTICHE TECNICHE

- Le prestazioni delle unità che compongono la pompa multipla sono identiche a quelle delle singole pompe corrispondenti.
- La velocità massima di rotazione della pompa multipla è determinata dalla pompa con velocità minore.
- La coppia massima assorbita da ogni singola unità, tale da consentire il limite di funzionamento alla pressione massima di impiego, si calcola come segue:

$$M = \frac{c \times p}{64} \quad \text{dove:} \quad \begin{array}{l} M = \text{Coppia massima assorbita (Nm)} \\ c = \text{Cilindrata pompa (cm}^3/\text{giro)} \\ p = \text{Pressione massima di impiego (bar)} \end{array}$$

- La somma delle coppie assorbite dalle singole pompe non deve essere superiore alla coppia massima ammissibile sull'albero principale (vedi tabella).

La coppia massima assorbita dalle pompe seguenti non deve essere superiore alla coppia trasmissibile dal traino della pompa precedente.

- La potenza assorbita dalla pompa multipla è data dalla somma delle potenze assorbite dalle singole pompe, si calcola come segue:

$$P = \frac{c \times n \times p}{603000} \quad \text{dove:} \quad \begin{array}{l} P = \text{Potenza massima assorbita (Kw)} \\ c = \text{cilindrata pompa (cm}^3/\text{giro)} \\ n = \text{Numero di giri massimo (giri/1')} \\ p = \text{Pressione massima di impiego (bar)} \end{array}$$

DESCRIPTION

The multiple pumps are available in STANDARD and T.C. (short-tandem) versions.

The versatility of our pumps permits the assembling of a multiple pump using a single pump and making only a simple operation of disassembly/assembly

- All our standard pumps are already present to engage another pump.
- A very limited quantity of kit "flange connections and accessories" gives a small stock value and mainly a rapid assistance to final users.

TECHNICAL FEATURES

- Performance of units composing multiple pumps are the same as these of the corresponding single pumps.

- Max. rotation speed of multiple pumps is given by slower pump.

- Max. torque absorbed by each simple unit to grant a working limit at max. working pressure is calculated in the following way:

$$M = \frac{C \times p}{64} \quad \text{in which:} \quad \begin{array}{l} M = \text{Max. absorbed input torque (Nm)} \\ c = \text{Pump displacement (cm}^3/\text{rev)} \\ p = \text{Max. working pressure (bar)} \end{array}$$

The total of the torque absorbed by each pump shall be not in excess of the max. allowed torque on main shaft (see below scheme)

The max. torque absorbed by the follow pumps shall be not in excess of the torque transmitted by the rear draft gear.

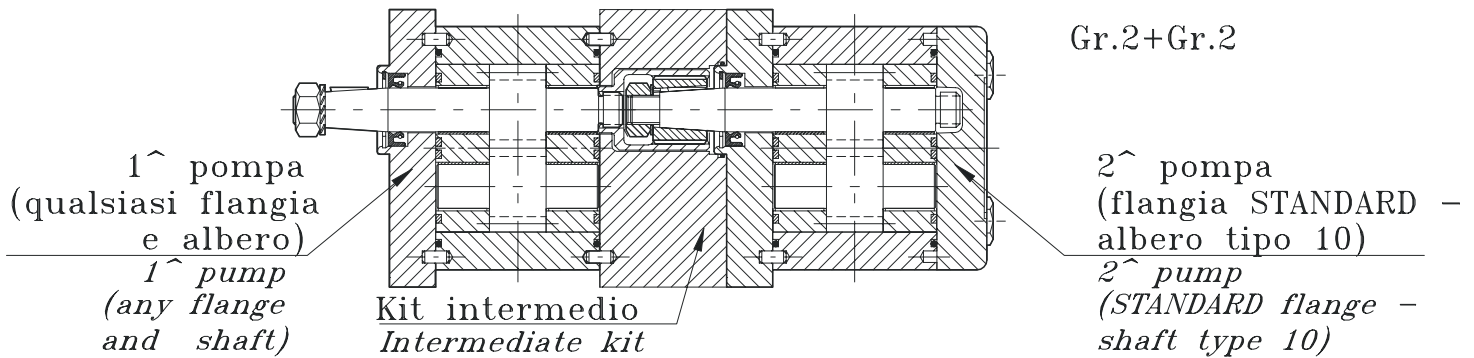
- The power absorbed by the multiple pump is determined from total powers that each pump absorbed and it is calculated as follow: in which:

$$P = \frac{c \times n \times p}{603000} \quad \begin{array}{l} P = \text{Max. absorbed power (Kw)} \\ c = \text{Pump displacement (cm}^3/\text{rev)} \\ n = \text{Max. rev working (rpm)} \\ p = \text{Max. working pressure (bar)} \end{array}$$

	COPPIA TRASMESSA DALL' ALBERO PRINCIPALE (Nm) TORQUE TRANSMITTED BY THE DRAFT PUMP (Nm)								COPPIA TRASMESSA DAL TRAINO POMPA TORQUE TRANSMITTED BY REAR DRAFT (Nm)
	Tipo10 Type 10	Tipo11 Type 11	Tipo12 Type 12	Tipo13 Type 13	Tipo14 Type 14	Tipo15 Type 15	Tipo16 Type 16	Tipo17/27 Type 17/27	
GR 1	18			30	30	30		12	18
GR 2	98	98	98	98	98	98	98	70	98
GR 3	240			240	240				240
GR 4	750								750

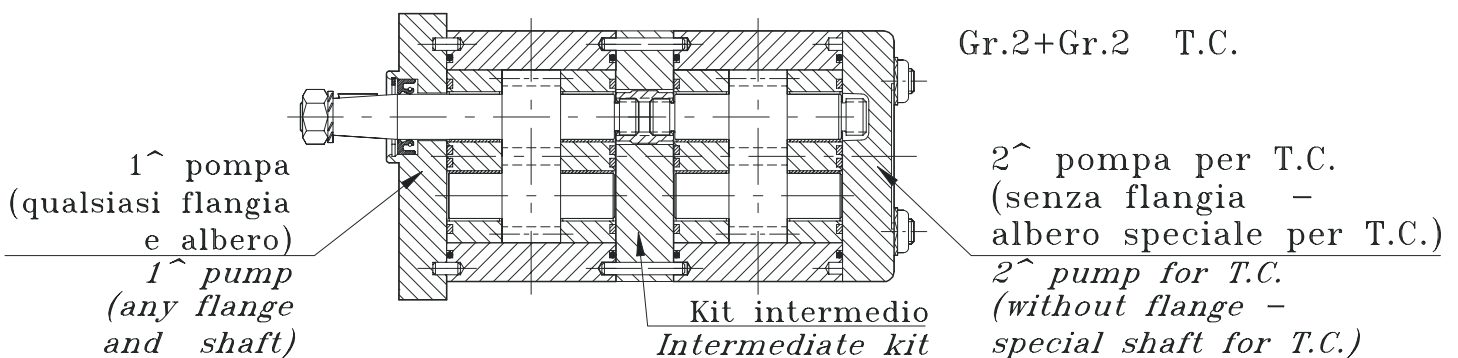
Tandem STANDARD

- Sono possibili combinazioni di tutti i gruppi pompa (Gr.1 - Gr.2 - Gr.3 and Gr.4)
- L' aspirazione di ogni singola unità è indipendente
- *Are possible different combinations of all the group pumps (Gr.1 - Gr.2 - Gr.3 and Gr.4)*
- *The suction of each pump is independent*

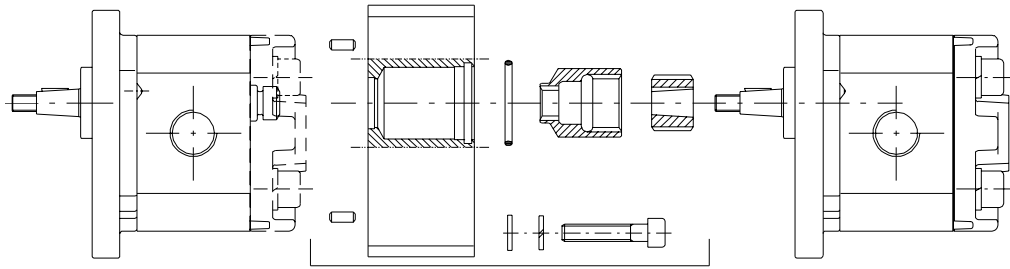


Tandem Corto TC

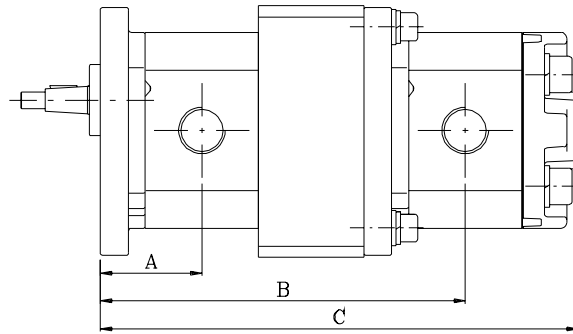
- Non possibile con pompe Gr.4
- Dimensioni più contenute rispetto al tandem standard
- Le aspirazioni dei vari stadi sono in comunione fra loro.
- Possibilità di aspirazione unica fra i vari stadi (consultare nostra società)
- *Not possible with Gr.4 pumps*
- *Low dimensions respect to the standard tandem*
- *The suctions of the different pumps are connected*
- *Possibility to have only one suction among the different pumps (contact our factory)*



GR 1 START + GR 1 START



Codice di ordinazione del kit 01091100000000
Order code of kit



Con flangia SAEAA incrementare le quote A, B e C di 3.5 mm

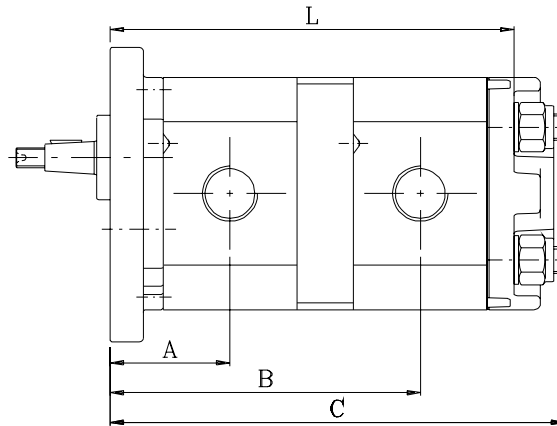
With SAEAA flange increase A, B and C dimensions of 3.5 mm

TIPO TYPE	A	B	C
1SP A9.8 + A9.8	52.15	177.95	234,1
1SP A9.8 + A7.8	52.15	174	226,2
1SP A9.8 + A6.3	52.15	171.15	220,5
1SP A9.8 + A5.0	52.15	168.6	215,4
1SP A9.8 + A4.2	52.15	167.05	212,3
1SP A9.8 + A3.7	52.15	166.1	210,4
1SP A9.8 + A3.2	52.15	165.1	208,4
1SP A9.8 + A2.5	52.15	163.75	205,7
1SP A9.8 + A2.0	52.15	162.75	203,7
1SP A9.8 + A1.6	52.15	162	202,2
1SP A9.8 + A1.2	52.15	161.15	200,5
1SP A9.8 + A0.9	52.15	160.6	199,4
1SP A7.8 + A7.8	48.2	166.1	218,3
1SP A7.8 + A6.3	48.2	163.25	212,6
1SP A7.8 + A5.0	48.2	160.7	207,5
1SP A7.8 + A4.2	48.2	159.15	204,4
1SP A7.8 + A3.7	48.2	158.2	202,5
1SP A7.8 + A3.2	48.2	157.2	200,5
1SP A7.8 + A2.5	48.2	155.85	197,8
1SP A7.8 + A2.0	48.2	154.85	195,8
1SP A7.8 + A1.6	48.2	154.1	194,3
1SP A7.8 + A1.2	48.2	153.25	192,6
1SP A7.8 + A0.9	48.2	152.7	191,5
1SP A6.3 + A6.3	45.35	157.55	206,9
1SP A6.3 + A5.0	45.35	155	201,8
1SP A6.3 + A4.2	45.35	153.45	198,7
1SP A6.3 + A3.7	45.35	152.5	196,8
1SP A6.3 + A3.2	45.35	151.5	194,8
1SP A6.3 + A2.5	45.35	150.15	192,1
1SP A6.3 + A2.0	45.35	149.15	190,1
1SP A6.3 + A1.6	45.35	148.4	188,6
1SP A6.3 + A1.2	45.35	147.55	186,9
1SP A6.3 + A0.9	45.35	147	185,8
1SP A5.0 + A5.0	42.8	149.9	196,7
1SP A5.0 + A4.2	42.8	148.35	193,6
1SP A5.0 + A3.7	42.8	147.4	191,7
1SP A5.0 + A3.2	42.8	146.4	189,7
1SP A5.0 + A2.5	42.8	145.05	187
1SP A5.0 + A2.0	42.8	144.05	185

TIPO TYPE	A	B	C
1SP A5.0 + A1.6 TC	42.8	143.3	183,5
1SP A5.0 + A1.2 TC	42.8	142.45	181,8
1SP A5.0 + A0.9 TC	42.8	141.9	180,7
1SP A4.2 + A4.2 TC	41.25	145.25	190,5
1SP A4.2 + A3.7 TC	41.25	144.3	188,6
1SP A4.2 + A3.2 TC	41.25	143.3	186,6
1SP A4.2 + A2.5 TC	41.25	141.95	183,9
1SP A4.2 + A2.0 TC	41.25	140.95	181,9
1SP A4.2 + A1.6 TC	41.25	140.2	180,4
1SP A4.2 + A1.2 TC	41.25	139.35	178,7
1SP A4.2 + A0.9 TC	41.25	138.8	177,6
1SP A3.7 + A3.7 TC	40.3	142.4	186,7
1SP A3.7 + A3.2 TC	40.3	141.4	184,7
1SP A3.7 + A2.5 TC	40.3	140.05	182
1SP A3.7 + A2.0 TC	40.3	139.05	180
1SP A3.7 + A1.6 TC	40.3	138.3	178,5
1SP A3.7 + A1.2 TC	40.3	137.45	176,8
1SP A3.7 + A0.9 TC	40.3	136.9	175,7
1SP A3.2 + A3.2 TC	39.3	139.4	182,7
1SP A3.2 + A2.5 TC	39.3	138.05	180
1SP A3.2 + A2.0 TC	39.3	137.05	178
1SP A3.2 + A1.6 TC	39.3	136.3	176,5
1SP A3.2 + A1.2 TC	39.3	135.45	174,8
1SP A3.2 + A0.9 TC	39.3	134.9	173,7
1SP A2.5 + A2.5 TC	37.95	135.35	177,3
1SP A2.5 + A2.0 TC	37.95	134.35	175,3
1SP A2.5 + A1.6 TC	37.95	133.6	173,8
1SP A2.5 + A1.2 TC	37.95	132.75	172,1
1SP A2.5 + A0.9 TC	37.95	132.2	171
1SP A2.0 + A2.0 TC	36.95	132.35	173,3
1SP A2.0 + A1.6 TC	36.95	131.6	171,8
1SP A2.0 + A1.2 TC	36.95	130.75	170,1
1SP A2.0 + A0.9 TC	36.95	130.2	169
1SP A1.6 + A1.6 TC	36.2	130.1	170,3
1SP A1.6 + A1.2 TC	36.2	129.25	168,6
1SP A1.6 + A0.9 TC	36.2	128.7	167,5
1SP A1.2 + A1.2 TC	35.35	127.55	166,9
1SP A1.2 + A0.9 TC	35.35	127	165,8
1SP A0.9 + A0.9 TC	34.8	125.9	164,7

GR 1 START + GR 1 START TC

(Tandem corto)
(Short tandem)



Con flangia SAEAA incrementare le quote A, B e C di 3.5 mm

* La quota L serve per il fissaggio di pompe con flangia E32 ed MC32

With SAEAA flange increase A, B and C dimensions of 3.5 mm

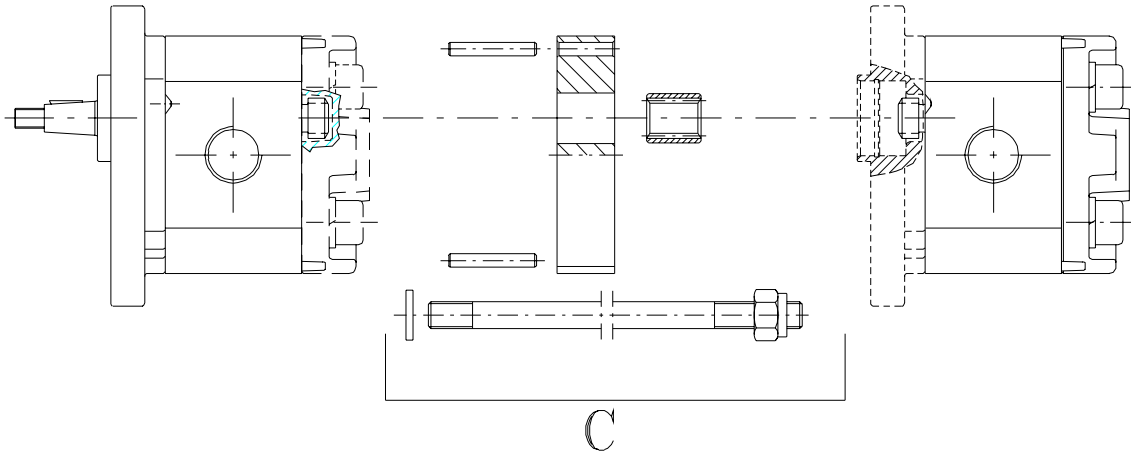
* The L dimension is necessary for the fixing of pumps with E32 and MC32 flange, only

TIPO TYPE	A	B	C	L*
1SP A9.8 + A9.8 TC	52.15	141.45	200,5	185.6
1SP A9.8 + A7.8 TC	52.15	137.5	200,5	177.7
1SP A9.8 + A6.3 TC	52.15	134.65	188,5	172
1SP A9.8 + A5.0 TC	52.15	132.1	188,5	166.9
1SP A9.8 + A4.2 TC	52.15	130.55	176,5	163.8
1SP A9.8 + A3.7 TC	52.15	129.6	176,5	161.9
1SP A9.8 + A3.2 TC	52.15	128.6	176,5	159.9
1SP A9.8 + A2.5 TC	52.15	127.25	176,5	157.2
1SP A9.8 + A2.0 TC	52.15	126.25	176,5	155.2
1SP A9.8 + A1.6 TC	52.15	125.5	165,7	153.7
1SP A9.8 + A1.2 TC	52.15	124.65	164,5	152
1SP A9.8 + A0.9 TC	52.15	124.1	164,5	150.9
1SP A7.8 + A7.8 TC	48.2	129.6	188,5	169.8
1SP A7.8 + A6.3 TC	48.2	126.75	176,5	164.1
1SP A7.8 + A5.0 TC	48.2	124.2	176,5	159
1SP A7.8 + A4.2 TC	48.2	122.65	176,5	155.9
1SP A7.8 + A3.7 TC	48.2	121.7	176,5	154
1SP A7.8 + A3.2 TC	48.2	120.7	164,5	152
1SP A7.8 + A2.5 TC	48.2	119.35	164,5	149.3
1SP A7.8 + A2.0 TC	48.2	118.35	164,5	147.3
1SP A7.8 + A1.6 TC	48.2	117.6	164,5	145.8
1SP A7.8 + A1.2 TC	48.2	116.75	164,5	144.1
1SP A7.8 + A0.9 TC	48.2	116.2	164,5	143
1SP A6.3 + A6.3 TC	45.35	121.05	176,5	158.4
1SP A6.3 + A5.0 TC	45.35	118.5	165,3	153.3
1SP A6.3 + A4.2 TC	45.35	116.95	164,5	150.2
1SP A6.3 + A3.7 TC	45.35	116	164,5	148.3
1SP A6.3 + A3.2 TC	45.35	115	164,5	146.3
1SP A6.3 + A2.5 TC	45.35	113.65	164,5	143.6
1SP A6.3 + A2.0 TC	45.35	112.65	153,6	141.6
1SP A6.3 + A1.6 TC	45.35	111.9	152,5	140.1
1SP A6.3 + A1.2 TC	45.35	111.05	152,5	138.4
1SP A6.3 + A0.9 TC	45.35	110.5	152,5	137.3
1SP A5.0 + A5.0 TC	42.8	113.4	164,5	148.5
1SP A5.0 + A4.2 TC	42.8	111.85	164,5	145.1
1SP A5.0 + A3.7 TC	42.8	110.9	164,5	143.2
1SP A5.0 + A3.2 TC	42.8	109.9	153,2	141.2
1SP A5.0 + A2.5 TC	42.8	108.55	152,5	138.5
1SP A5.0 + A2.0 TC	42.8	107.55	152,5	136.5

TIPO TYPE	A	B	C	L*
1SP A5.0 + A1.6 TC	42.8	106.8	152,5	135
1SP A5.0 + A1.2 TC	42.8	105.95	152,5	133.3
1SP A5.0 + A0.9 TC	42.8	105.4	152,5	132.2
1SP A4.2 + A4.2 TC	41.25	108.75	164,5	142
1SP A4.2 + A3.7 TC	41.25	107.8	152,5	140.1
1SP A4.2 + A3.2 TC	41.25	106.8	152,5	138.1
1SP A4.2 + A2.5 TC	41.25	105.45	152,5	135.4
1SP A4.2 + A2.0 TC	41.25	104.45	152,5	133.4
1SP A4.2 + A1.6 TC	41.25	103.7	152,5	131.9
1SP A4.2 + A1.2 TC	41.25	102.85	152,5	130.2
1SP A4.2 + A0.9 TC	41.25	102.3	141,1	129.1
1SP A3.7 + A3.7 TC	40.3	105.9	152,5	138.2
1SP A3.7 + A3.2 TC	40.3	104.9	152,5	136.2
1SP A3.7 + A2.5 TC	40.3	103.55	152,5	133.5
1SP A3.7 + A2.0 TC	40.3	102.55	152,5	131.5
1SP A3.7 + A1.6 TC	40.3	101.8	152,5	130
1SP A3.7 + A1.2 TC	40.3	100.95	140,5	128.3
1SP A3.7 + A0.9 TC	40.3	100.4	140,5	127.2
1SP A3.2 + A3.2 TC	39.3	102.9	152,5	134.2
1SP A3.2 + A2.5 TC	39.3	101.55	152,5	131.5
1SP A3.2 + A2.0 TC	39.3	100.55	141,5	129.5
1SP A3.2 + A1.6 TC	39.3	99.8	140,5	128
1SP A3.2 + A1.2 TC	39.3	98.95	140,5	126.3
1SP A3.2 + A0.9 TC	39.3	98.4	140,5	125.2
1SP A2.5 + A2.5 TC	37.95	98.85	140,8	128.8
1SP A2.5 + A2.0 TC	37.95	97.85	140,5	126.8
1SP A2.5 + A1.6 TC	37.95	97.1	140,5	125.3
1SP A2.5 + A1.2 TC	37.95	96.25	140,5	123.6
1SP A2.5 + A0.9 TC	37.95	95.7	140,5	122.5
1SP A2.0 + A2.0 TC	36.95	95.85	140,5	124.8
1SP A2.0 + A1.6 TC	36.95	95.1	140,5	123.3
1SP A2.0 + A1.2 TC	36.95	94.25	140,5	121.6
1SP A2.0 + A0.9 TC	36.95	93.7	140,5	120.5
1SP A1.6 + A1.6 TC	36.2	93.6	140,5	121.8
1SP A1.6 + A1.2 TC	36.2	92.75	140,5	120.1
1SP A1.6 + A0.9 TC	36.2	92.2	140,5	119
1SP A1.2 + A1.2 TC	35.35	91.05	140,5	118.4
1SP A1.2 + A0.9 TC	35.35	90.5	140,5	117.3
1SP A0.9 + A0.9 TC	34.8	89.4	140,5	116.2

GR 1 START + GR 1 START TC

(Tandem corto)
(Short tandem)



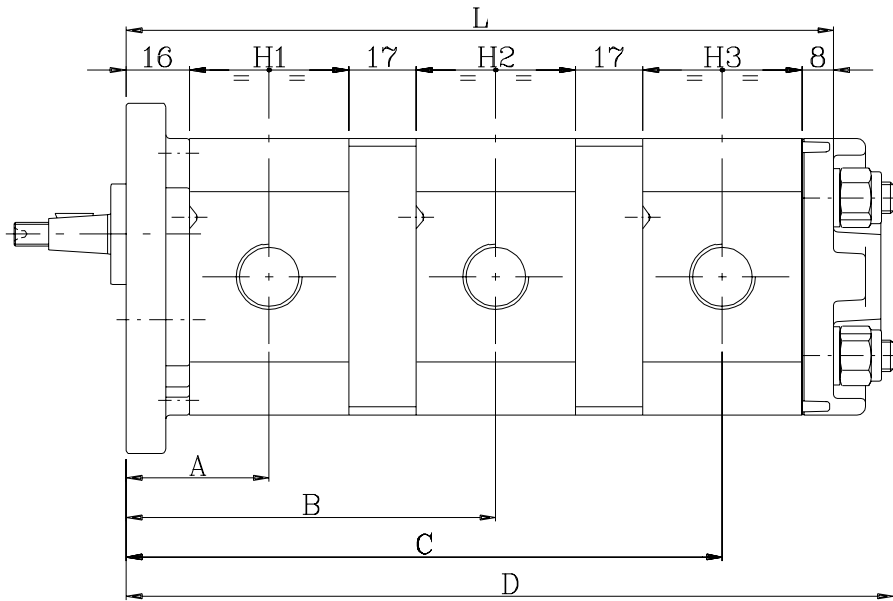
C
Codice di ordinazione del kit
Order code of kit

TIPO TYPE	C	
1SP A9.8 + A9.8 TC	010911308680600	
1SP A9.8 + A7.8 TC		
1SP A9.8 + A6.3 TC		
1SP A9.8 + A5.0 TC		
1SP A9.8 + A4.2 TC	010911308680400	
1SP A9.8 + A3.7 TC		
1SP A9.8 + A3.2 TC		
1SP A9.8 + A2.5 TC		
1SP A9.8 + A2.0 TC		
1SP A9.8 + A1.6 TC		
1SP A9.8 + A1.2 TC		
1SP A9.8 + A0.9 TC	010911308680300	
1SP A7.8 + A7.8 TC	010911308680500	
1SP A7.8 + A6.3 TC	010911308680400	
1SP A7.8 + A5.0 TC		
1SP A7.8 + A4.2 TC		
1SP A7.8 + A3.7 TC		
1SP A7.8 + A3.2 TC		
1SP A7.8 + A2.5 TC	010911308680300	
1SP A7.8 + A2.0 TC		
1SP A7.8 + A1.6 TC		
1SP A7.8 + A1.2 TC		
1SP A7.8 + A0.9 TC		
1SP A6.3 + A6.3 TC		010911308680400
1SP A6.3 + A5.0 TC		010911308680300
1SP A6.3 + A4.2 TC		
1SP A6.3 + A3.7 TC		
1SP A6.3 + A3.2 TC		
1SP A6.3 + A2.5 TC		
1SP A6.3 + A2.0 TC	010911308680200	
1SP A6.3 + A1.6 TC		
1SP A6.3 + A1.2 TC		
1SP A6.3 + A0.9 TC		
1SP A5.0 + A5.0 TC		010911308680300
1SP A5.0 + A4.2 TC		
1SP A5.0 + A3.7 TC		
1SP A5.0 + A3.2 TC	010911308680200	
1SP A5.0 + A2.5 TC		
1SP A5.0 + A2.0 TC		
1SP A5.0 + A1.6 TC		
1SP A5.0 + A1.2 TC		
1SP A5.0 + A0.9 TC		
1SP A5.0 + A2.0 TC		

TIPO TYPE	C
1SP A5.0 + A1.6 TC	010911308680200
1SP A5.0 + A1.2 TC	
1SP A5.0 + A0.9 TC	
1SP A4.2 + A4.2 TC	010911308680300
1SP A4.2 + A3.7 TC	010911308680200
1SP A4.2 + A3.2 TC	
1SP A4.2 + A2.5 TC	
1SP A4.2 + A2.0 TC	
1SP A4.2 + A1.6 TC	
1SP A4.2 + A1.2 TC	
1SP A4.2 + A0.9 TC	
1SP A4.2 + A0.9 TC	010911308680100
1SP A3.7 + A3.7 TC	010911308680200
1SP A3.7 + A3.2 TC	
1SP A3.7 + A2.5 TC	
1SP A3.7 + A2.0 TC	
1SP A3.7 + A1.6 TC	
1SP A3.7 + A1.2 TC	010911308680100
1SP A3.7 + A0.9 TC	
1SP A3.2 + A3.2 TC	010911308680200
1SP A3.2 + A2.5 TC	
1SP A3.2 + A2.0 TC	010911308680100
1SP A3.2 + A1.6 TC	
1SP A3.2 + A1.2 TC	
1SP A3.2 + A0.9 TC	
1SP A2.5 + A2.5 TC	
1SP A2.5 + A2.0 TC	
1SP A2.5 + A1.6 TC	
1SP A2.5 + A1.2 TC	
1SP A2.5 + A0.9 TC	
1SP A2.0 + A2.0 TC	
1SP A2.0 + A1.6 TC	
1SP A2.0 + A1.2 TC	
1SP A2.0 + A0.9 TC	
1SP A1.6 + A1.6 TC	
1SP A1.6 + A1.2 TC	
1SP A1.6 + A0.9 TC	
1SP A1.2 + A1.2 TC	
1SP A1.2 + A0.9 TC	
1SP A0.9 + A0.9 TC	

GR 1 START + GR 1 START + GR 1 START TC (Tandem corto)

(Short tandem)



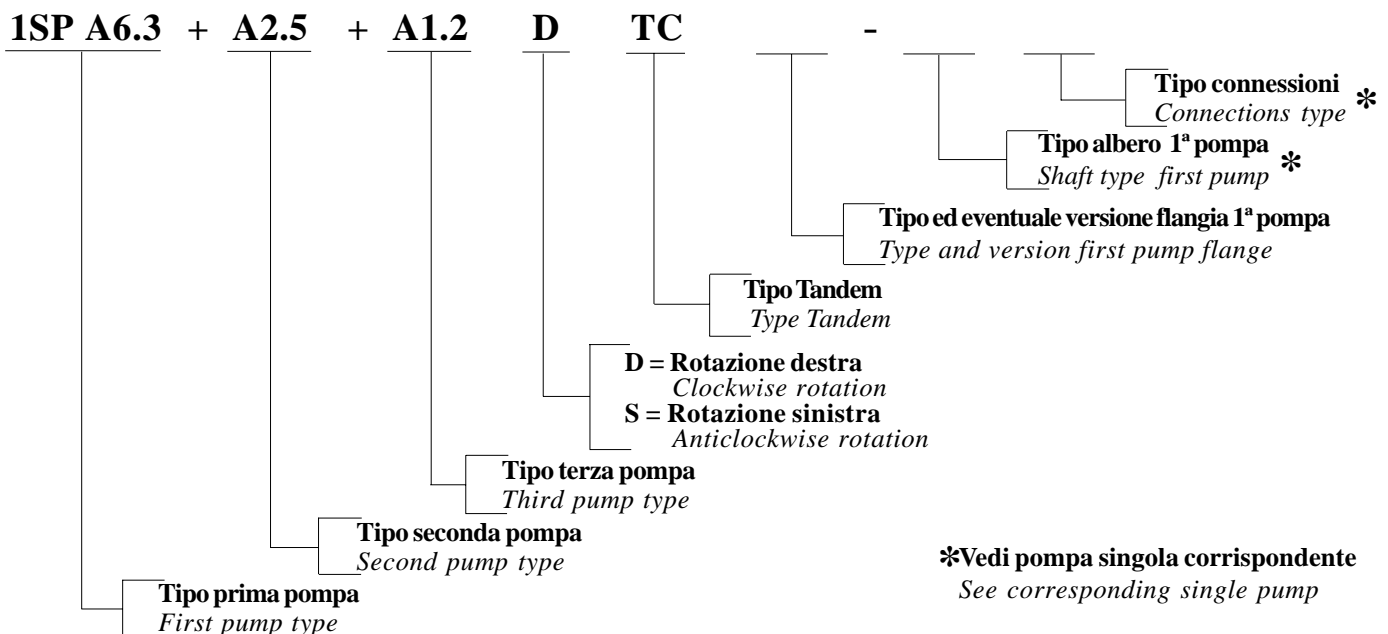
Con flangia SAEAA incrementare le quote A, B, C e D di 3.5 mm

With SAEAA flange increase A, B, C and D dimensions of 3.5 mm

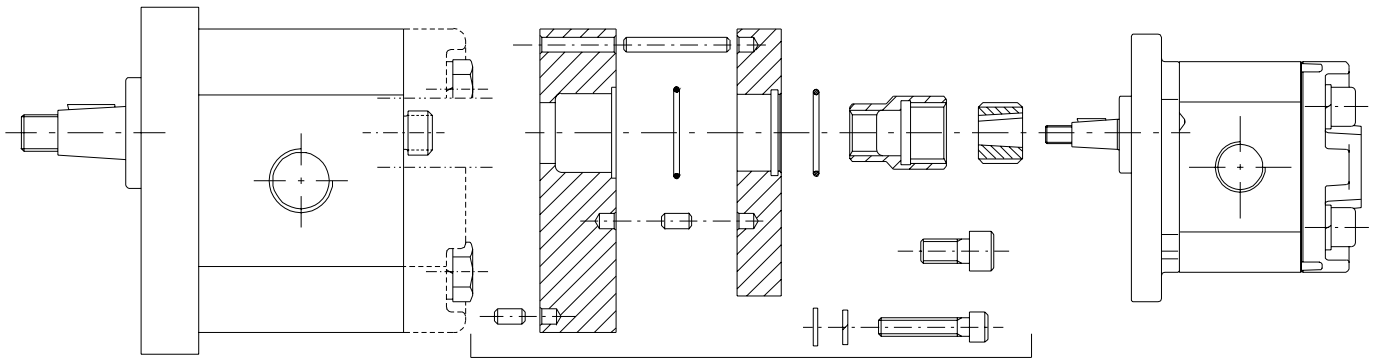
TIPO TYPE	H1	H2	H3	L
1SP A9.8		72.3		...
1SP A7.8		64.4		...
1SP A6.3		58.7		...
1SP A5.0		53.6		...
1SP A4.2		50.5		...
1SP A3.7		48.6		...
1SP A3.2		46.6		...
1SP A2.5		43.9		...
1SP A2.0		41.9		...
1SP A1.6		40.4		...
1SP A1.2		38.7		...
1SP A0.9		37.6		...

L	D
$L < 179.5$	188.5 $^{+1.5}_0$
$179.6 < L < 191.4$	200.5 $^{+1.5}_0$
$191.5 < L < 206.4$	215.5 $^{+1.5}_0$
$206.5 < L < 220$	229.5 $^{+1.5}_0$
$220.1 < L < 235.5$	243.5 $^{+1.5}_0$
$235.6 < L < 249.5$	258.5 $^{+1.5}_0$
$249.6 < L < 262$	271.5 $^{+1.5}_0$
$262.1 < L$	287.5 $^{+1.5}_0$

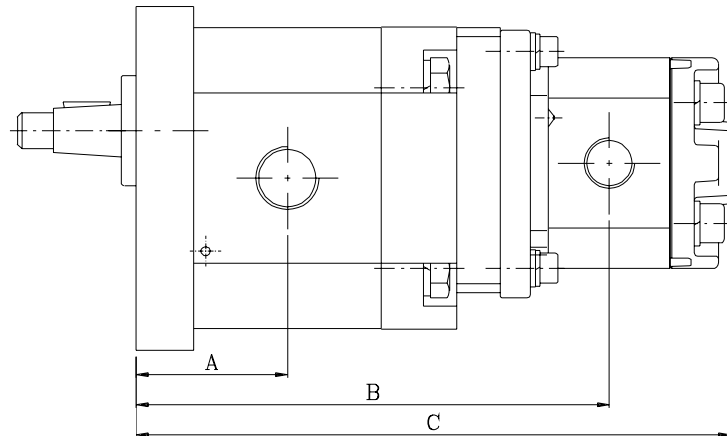
ESEMPIO DI ORDINAZIONE IN CODICE / EXAMPLE OF ORDERING CODE



GR 2 START + GR 1 START



Codice di ordinazione del kit
Order code of kit 010921100000000

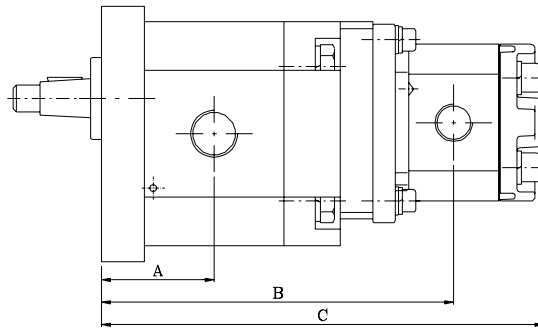


Con flangia B80C incrementare le quote A, B e C di 2 mm
Con flangia E52C diminuire le quote A, B e C di 2.7 mm

With B80C flange increase A, B and C dimensions of 2 mm
With E52C flange decrease A, B and C dimensions of 2.7 mm

TIPO TYPE	A	B	C
2SP ...26 + 1SP A9.8	62.7	198.05	254,2
2SP ...26 + 1SP A7.8	62.7	194.1	246,3
2SP ...26 + 1SP A6.3	62.7	191.25	240,6
2SP ...26 + 1SP A5.0	62.7	188.7	235,5
2SP ...26 + 1SP A4.2	62.7	187.15	232,4
2SP ...26 + 1SP A3.7	62.7	186.2	230,5
2SP ...26 + 1SP A3.2	62.7	185.2	228,5
2SP ...26 + 1SP A2.5	62.7	183.85	225,8
2SP ...26 + 1SP A2.0	62.7	182.85	223,8
2SP ...26 + 1SP A1.6	62.7	182.1	222,3
2SP ...26 + 1SP A1.2	62.7	181.25	220,6
2SP ...26 + 1SP A0.9	62.7	180.7	219,5
2SP ...22 + 1SP A9.8	59.8	192.25	248,4
2SP ...22 + 1SP A7.8	59.8	188.3	240,5
2SP ...22 + 1SP A6.3	59.8	185.45	234,8
2SP ...22 + 1SP A5.0	59.8	182.9	229,7
2SP ...22 + 1SP A4.2	59.8	181.35	226,6
2SP ...22 + 1SP A3.7	59.8	180.4	224,7
2SP ...22 + 1SP A3.2	59.8	179.4	222,7
2SP ...22 + 1SP A2.5	59.8	178.05	220

TIPO TYPE	A	B	C
2SP ...22 + 1SP A2.0	59.8	177.05	218
2SP ...22 + 1SP A1.6	59.8	176.3	216,5
2SP ...22 + 1SP A1.2	59.8	175.45	214,8
2SP ...22 + 1SP A0.9	59.8	174.9	213,7
2SP ...19 + 1SP A9.8	57.3	187.25	243,4
2SP ...19 + 1SP A7.8	57.3	183.3	235,5
2SP ...19 + 1SP A6.3	57.3	180.45	229,8
2SP ...19 + 1SP A5.0	57.3	177.9	224,7
2SP ...19 + 1SP A4.2	57.3	176.35	221,6
2SP ...19 + 1SP A3.7	57.3	175.4	219,7
2SP ...19 + 1SP A3.2	57.3	174.4	217,7
2SP ...19 + 1SP A2.5	57.3	173.05	215
2SP ...19 + 1SP A2.0	57.3	172.05	213
2SP ...19 + 1SP A1.6	57.3	171.3	211,5
2SP ...19 + 1SP A1.2	57.3	170.45	209,8
2SP ...19 + 1SP A0.9	57.3	169.9	208,7
2SP ...16 + 1SP A9.8	54.8	182.25	238,4
2SP ...16 + 1SP A7.8	54.8	178.3	230,5
2SP ...16 + 1SP A6.3	54.8	175.45	224,8
2SP ...16 + 1SP A5.0	54.8	172.9	219,7



Con flangia B80C incrementare le quote A, B e C di 2 mm
Con flangia E52C diminuire le quote A, B e C di 2.7 mm

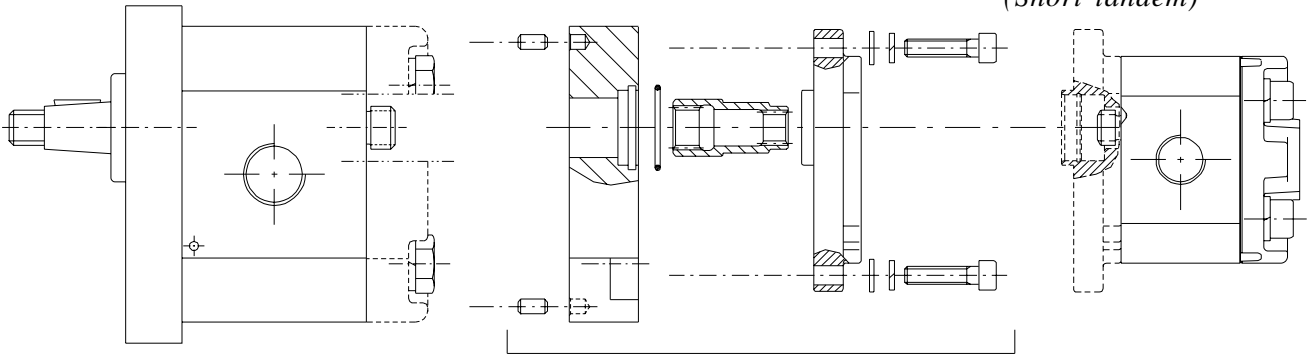
With B80C flange increase A, B and C dimensions of 2 mm
With E52C flange decrease A, B and C dimensions of 2.7 mm

TIPO TYPE	A	B	C
2SP ...16 + 1SP A4.2	54.8	171.35	216,6
2SP ...16 + 1SP A3.7	54.8	170.4	214,7
2SP ...16 + 1SP A3.2	54.8	169.4	212,7
2SP ...16 + 1SP A2.5	54.8	168.05	210
2SP ...16 + 1SP A2.0	54.8	167.05	208
2SP ...16 + 1SP A1.6	54.8	166.3	206,5
2SP ...16 + 1SP A1.2	54.8	165.45	204,8
2SP ...16 + 1SP A0.9	54.8	164.9	203,7
2SP ...14 + 1SP A9.8	52.7	178.05	234,2
2SP ...14 + 1SP A7.8	52.7	174.1	226,3
2SP ...14 + 1SP A6.3	52.7	171.25	220,6
2SP ...14 + 1SP A5.0	52.7	168.7	215,5
2SP ...14 + 1SP A4.2	52.7	167.15	212,4
2SP ...14 + 1SP A3.7	52.7	166.2	210,5
2SP ...14 + 1SP A3.2	52.7	165.2	208,5
2SP ...14 + 1SP A2.5	52.7	163.85	205,8
2SP ...14 + 1SP A2.0	52.7	162.85	203,8
2SP ...14 + 1SP A1.6	52.7	162.1	202,3
2SP ...14 + 1SP A1.2	52.7	161.25	200,6
2SP ...14 + 1SP A0.9	52.7	160.7	199,5
2SP ...11 + 1SP A9.8	50.2	173.05	229,2
2SP ...11 + 1SP A7.8	50.2	169.1	221,3
2SP ...11 + 1SP A6.3	50.2	166.25	215,6
2SP ...11 + 1SP A5.0	50.2	163.7	210,5
2SP ...11 + 1SP A4.2	50.2	162.15	207,4
2SP ...11 + 1SP A3.7	50.2	161.2	205,5
2SP ...11 + 1SP A3.2	50.2	160.2	203,5
2SP ...11 + 1SP A2.5	50.2	158.85	200,8
2SP ...11 + 1SP A2.0	50.2	157.85	198,8
2SP ...11 + 1SP A1.6	50.2	157.1	197,3
2SP ...11 + 1SP A1.2	50.2	156.25	195,6
2SP ...11 + 1SP A0.9	50.2	155.7	194,5
2SP ...8 + 1SP A9.8	48.15	168.95	225,1
2SP ...8 + 1SP A7.8	48.15	165	217,2

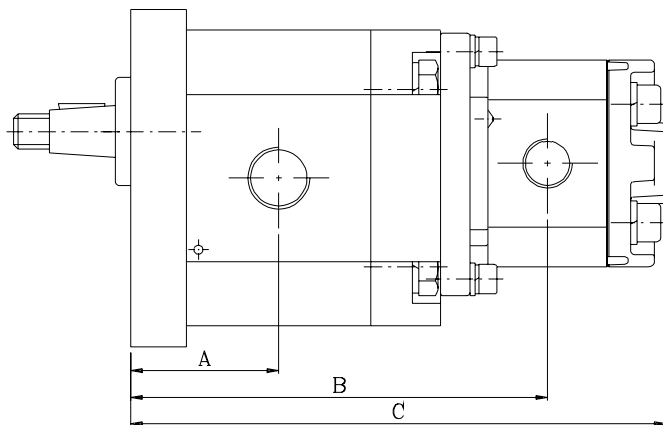
TIPO TYPE	A	B	C
2SP ...8 + 1SP A6.3	48.15	162.15	211,5
2SP ...8 + 1SP A5.0	48.15	159.6	206,4
2SP ...8 + 1SP A4.2	48.15	158.05	203,3
2SP ...8 + 1SP A3.7	48.15	157.1	201,4
2SP ...8 + 1SP A3.2	48.15	156.1	199,4
2SP ...8 + 1SP A2.5	48.15	154.75	196,7
2SP ...8 + 1SP A2.0	48.15	153.75	194,7
2SP ...8 + 1SP A1.6	48.15	153	193,2
2SP ...8 + 1SP A1.2	48.15	152.15	191,5
2SP ...8 + 1SP A0.9	48.15	151.6	190,4
2SP ...6 + 1SP A9.8	46.05	164.75	220,9
2SP ...6 + 1SP A7.8	46.05	160.8	213
2SP ...6 + 1SP A6.3	46.05	157.95	207,3
2SP ...6 + 1SP A5.0	46.05	155.4	202,2
2SP ...6 + 1SP A4.2	46.05	153.85	199,1
2SP ...6 + 1SP A3.7	46.05	152.9	197,2
2SP ...6 + 1SP A3.2	46.05	151.9	195,2
2SP ...6 + 1SP A2.5	46.05	150.55	192,5
2SP ...6 + 1SP A2.0	46.05	149.55	190,5
2SP ...6 + 1SP A1.6	46.05	148.8	189
2SP ...6 + 1SP A1.2	46.05	147.95	187,3
2SP ...6 + 1SP A0.9	46.05	147.4	186,2
2SP ...4 + 1SP A9.8	44.4	168.95	217,6
2SP ...4 + 1SP A7.8	44.4	194.1	209,7
2SP ...4 + 1SP A6.3	44.4	191.25	204
2SP ...4 + 1SP A5.0	44.4	188.7	198,9
2SP ...4 + 1SP A4.2	44.4	187.15	195,8
2SP ...4 + 1SP A3.7	44.4	186.2	193,9
2SP ...4 + 1SP A3.2	44.4	185.2	191,9
2SP ...4 + 1SP A2.5	44.4	183.85	189,2
2SP ...4 + 1SP A2.0	44.4	182.85	187,2
2SP ...4 + 1SP A1.6	44.4	182.1	185,7
2SP ...4 + 1SP A1.2	44.4	181.25	184
2SP ...4 + 1SP A0.9	44.4	180.7	182,9

GR 2 START + GR 1 START TC

(Tandem corto)
(Short tandem)



Codice di ordinazione del kit 010921010000000
Order code of kit

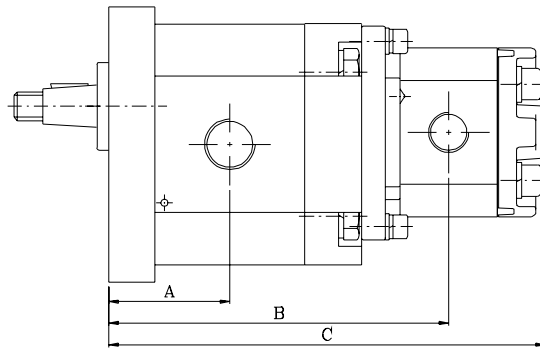


Con flangia B80C incrementare le quote A, B e C di 2 mm
Con flangia E52C diminuire le quote A, B e C di 2.7 mm

With B80C flange increase A, B and C dimensions of 2 mm
With E52C flange decrease A, B and C dimensions of 2.7 mm

TIPO TYPE	A	B	C
2SP ...26 + 1SP A9.8 TC	62.7	182.05	238,2
2SP ...26 + 1SP A7.8 TC	62.7	178.1	230,3
2SP ...26 + 1SP A6.3 TC	62.7	175.25	224,6
2SP ...26 + 1SP A5.0 TC	62.7	172.7	219,5
2SP ...26 + 1SP A4.2 TC	62.7	171.15	216,4
2SP ...26 + 1SP A3.7 TC	62.7	170.2	214,5
2SP ...26 + 1SP A3.2 TC	62.7	169.2	212,5
2SP ...26 + 1SP A2.5 TC	62.7	167.85	209,8
2SP ...26 + 1SP A2.0 TC	62.7	166.85	207,8
2SP ...26 + 1SP A1.6 TC	62.7	166.1	206,3
2SP ...26 + 1SP A1.2 TC	62.7	165.25	204,6
2SP ...26 + 1SP A0.9 TC	62.7	164.7	203,5
2SP ...22 + 1SP A9.8 TC	59.8	176.25	232,4
2SP ...22 + 1SP A7.8 TC	59.8	172.3	224,5
2SP ...22 + 1SP A6.3 TC	59.8	169.45	218,8
2SP ...22 + 1SP A5.0 TC	59.8	166.9	213,7
2SP ...22 + 1SP A4.2 TC	59.8	165.35	210,6
2SP ...22 + 1SP A3.7 TC	59.8	164.4	208,7
2SP ...22 + 1SP A3.2 TC	59.8	163.4	206,7
2SP ...22 + 1SP A2.5 TC	59.8	162.05	204

TIPO TYPE	A	B	C
2SP ...22 + 1SP A2.0 TC	59.8	161.05	202
2SP ...22 + 1SP A1.6 TC	59.8	160.3	200,5
2SP ...22 + 1SP A1.2 TC	59.8	159.45	198,8
2SP ...22 + 1SP A0.9 TC	59.8	158.9	197,7
2SP ...19 + 1SP A9.8 TC	57.3	171.25	227,4
2SP ...19 + 1SP A7.8 TC	57.3	167.3	219,5
2SP ...19 + 1SP A6.3 TC	57.3	164.45	213,8
2SP ...19 + 1SP A5.0 TC	57.3	161.9	208,7
2SP ...19 + 1SP A4.2 TC	57.3	160.35	205,6
2SP ...19 + 1SP A3.7 TC	57.3	159.4	203,7
2SP ...19 + 1SP A3.2 TC	57.3	158.4	201,7
2SP ...19 + 1SP A2.5 TC	57.3	157.05	199
2SP ...19 + 1SP A2.0 TC	57.3	156.05	197
2SP ...19 + 1SP A1.6 TC	57.3	155.3	195,5
2SP ...19 + 1SP A1.2 TC	57.3	154.45	193,8
2SP ...19 + 1SP A0.9 TC	57.3	153.9	192,7
2SP ...16 + 1SP A9.8 TC	54.8	166.25	222,4
2SP ...16 + 1SP A7.8 TC	54.8	162.3	214,5
2SP ...16 + 1SP A6.3 TC	54.8	159.45	208,8
2SP ...16 + 1SP A5.0 TC	54.8	156.9	203,7



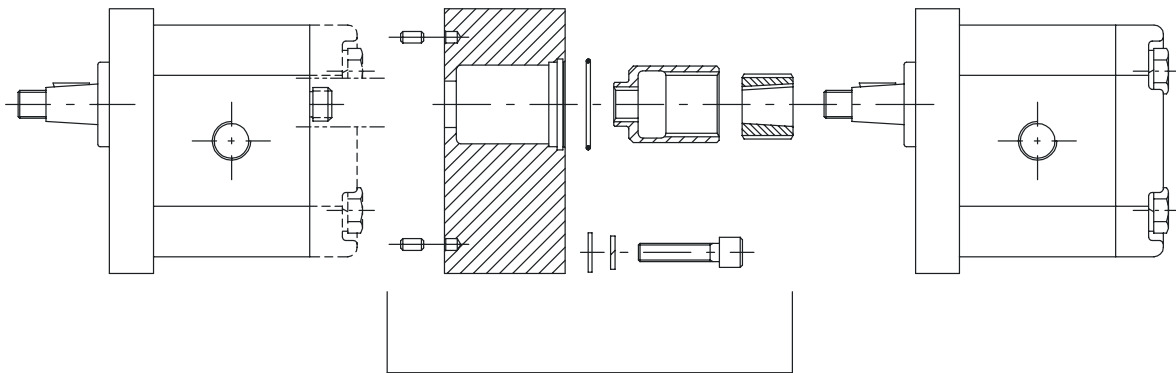
Con flangia B80C incrementare le quote A, B e C di 2 mm
Con flangia E52C diminuire le quote A, B e C di 2.7 mm

With B80C flange increase A, B and C dimensions of 2 mm
With E52C flange decrease A, B and C dimensions of 2.7 mm

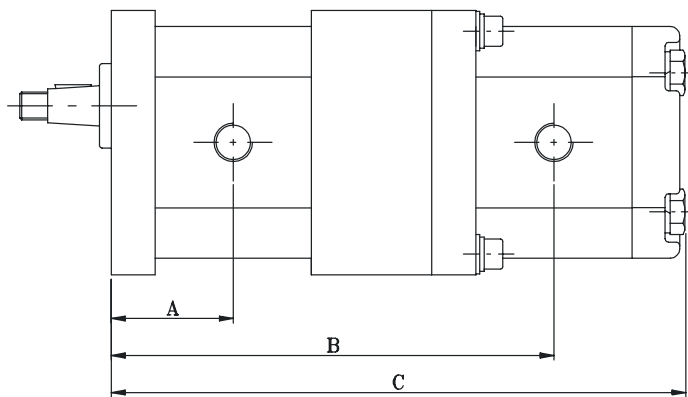
TIPO TYPE	A	B	C
2SP ...16 + 1SP A4.2 TC	54.8	155.35	200,6
2SP ...16 + 1SP A3.7 TC	54.8	154.4	198,7
2SP ...16 + 1SP A3.2 TC	54.8	153.4	196,7
2SP ...16 + 1SP A2.5 TC	54.8	152.05	194
2SP ...16 + 1SP A2.0 TC	54.8	151.05	192
2SP ...16 + 1SP A1.6 TC	54.8	150.3	190,5
2SP ...16 + 1SP A1.2 TC	54.8	149.45	188,8
2SP ...16 + 1SP A0.9 TC	54.8	148.9	187,7
2SP ...14 + 1SP A9.8 TC	52.7	162.05	218,2
2SP ...14 + 1SP A7.8 TC	52.7	158.1	210,3
2SP ...14 + 1SP A6.3 TC	52.7	155.25	204,6
2SP ...14 + 1SP A5.0 TC	52.7	152.7	199,5
2SP ...14 + 1SP A4.2 TC	52.7	151.15	196,4
2SP ...14 + 1SP A3.7 TC	52.7	150.2	194,5
2SP ...14 + 1SP A3.2 TC	52.7	149.2	192,5
2SP ...14 + 1SP A2.5 TC	52.7	147.85	189,8
2SP ...14 + 1SP A2.0 TC	52.7	146.85	187,8
2SP ...14 + 1SP A1.6 TC	52.7	146.1	186,3
2SP ...14 + 1SP A1.2 TC	52.7	145.25	184,6
2SP ...14 + 1SP A0.9 TC	52.7	144.7	183,5
2SP ...11 + 1SP A9.8 TC	50.2	157.05	213,2
2SP ...11 + 1SP A7.8 TC	50.2	153.1	205,3
2SP ...11 + 1SP A6.3 TC	50.2	150.25	199,6
2SP ...11 + 1SP A5.0 TC	50.2	147.7	194,5
2SP ...11 + 1SP A4.2 TC	50.2	146.15	191,4
2SP ...11 + 1SP A3.7 TC	50.2	145.2	189,5
2SP ...11 + 1SP A3.2 TC	50.2	144.2	187,5
2SP ...11 + 1SP A2.5 TC	50.2	142.85	184,8
2SP ...11 + 1SP A2.0 TC	50.2	141.85	182,8
2SP ...11 + 1SP A1.6 TC	50.2	141.1	181,3
2SP ...11 + 1SP A1.2 TC	50.2	140.25	179,6
2SP ...11 + 1SP A0.9 TC	50.2	139.7	178,5
2SP ...8 + 1SP A9.8 TC	48.15	152.95	209,1
2SP ...8 + 1SP A7.8 TC	48.15	149	201,2

TIPO TYPE	A	B	C
2SP ...8 + 1SP A6.3 TC	48.15	146.15	195,5
2SP ...8 + 1SP A5.0 TC	48.15	143.6	190,4
2SP ...8 + 1SP A4.2 TC	48.15	142.05	187,3
2SP ...8 + 1SP A3.7 TC	48.15	141.1	185,4
2SP ...8 + 1SP A3.2 TC	48.15	140.1	183,4
2SP ...8 + 1SP A2.5 TC	48.15	138.75	180,7
2SP ...8 + 1SP A2.0 TC	48.15	137.75	178,7
2SP ...8 + 1SP A1.6 TC	48.15	137	177,2
2SP ...8 + 1SP A1.2 TC	48.15	136.15	175,5
2SP ...8 + 1SP A0.9 TC	48.15	135.6	174,4
2SP ...6 + 1SP A9.8 TC	46.05	148.75	204,9
2SP ...6 + 1SP A7.8 TC	46.05	144.8	197
2SP ...6 + 1SP A6.3 TC	46.05	141.95	191,3
2SP ...6 + 1SP A5.0 TC	46.05	139.4	186,2
2SP ...6 + 1SP A4.2 TC	46.05	137.85	183,1
2SP ...6 + 1SP A3.7 TC	46.05	136.9	181,2
2SP ...6 + 1SP A3.2 TC	46.05	135.9	179,2
2SP ...6 + 1SP A2.5 TC	46.05	134.55	176,5
2SP ...6 + 1SP A2.0 TC	46.05	133.55	174,5
2SP ...6 + 1SP A1.6 TC	46.05	132.8	173
2SP ...6 + 1SP A1.2 TC	46.05	131.95	171,3
2SP ...6 + 1SP A0.9 TC	46.05	131.4	170,2
2SP ...4 + 1SP A9.8 TC	44.4	145.45	201,6
2SP ...4 + 1SP A7.8 TC	44.4	141.5	193,7
2SP ...4 + 1SP A6.3 TC	44.4	138.65	188
2SP ...4 + 1SP A5.0 TC	44.4	136.1	182,9
2SP ...4 + 1SP A4.2 TC	44.4	134.55	179,8
2SP ...4 + 1SP A3.7 TC	44.4	133.6	177,9
2SP ...4 + 1SP A3.2 TC	44.4	132.6	175,9
2SP ...4 + 1SP A2.5 TC	44.4	131.25	173,2
2SP ...4 + 1SP A2.0 TC	44.4	130.25	171,2
2SP ...4 + 1SP A1.6 TC	44.4	129.5	169,7
2SP ...4 + 1SP A1.2 TC	44.4	128.65	168
2SP ...4 + 1SP A0.9 TC	44.4	128.1	166,9

GR 2 START + GR 2 START



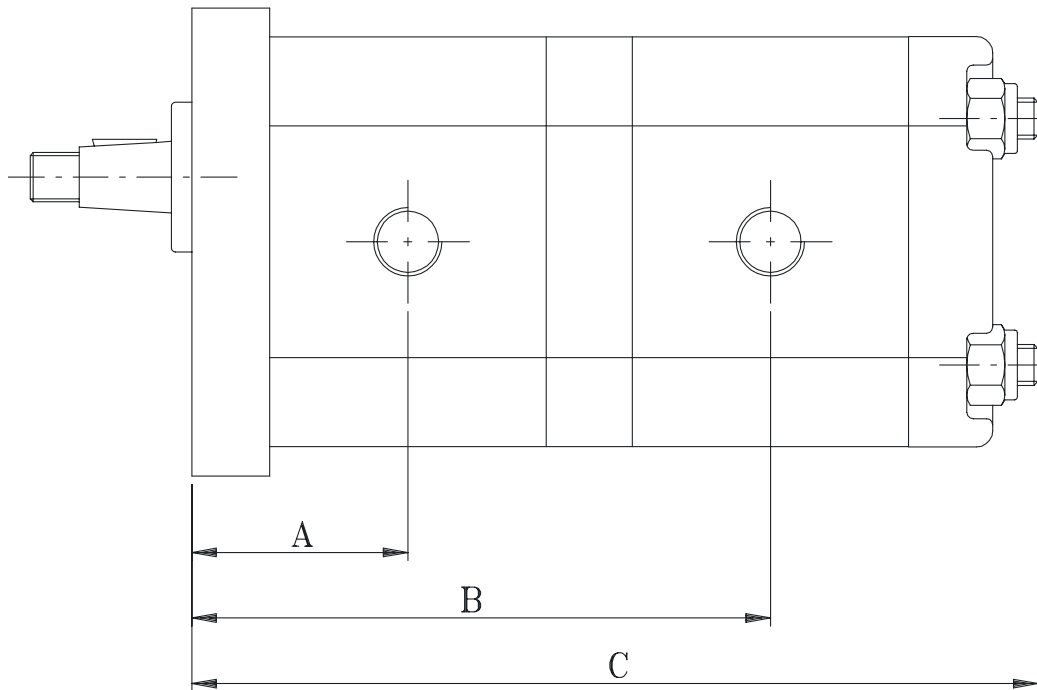
Codice di ordinazione del kit **010922000000000**
Order code of kit



TIPO TYPE	A	B	C
2SP ...4+2SP ...4	44.4	166.2	214.8
2SP ...6+2SP ...6	46	171.2	221.4
2SP ...6+2SP ...4	46	169.5	218.1
2SP ...8+2SP ...8	48.1	177.5	229.8
2SP ...8+2SP ...6	48.1	175.4	225.6
2SP ...8+2SP ...4	48.1	173.7	222.3
2SP ...11+2SP ...11	50.2	183.6	238
2SP ...11+2SP ...8	50.2	181.6	233.9
2SP ...11+2SP ...6	50.2	179.5	229.7
2SP ...11+2SP ...4	50.2	177.8	226.4
2SP ...14+2SP ...14	52.7	191.1	248
2SP ...14+2SP ...11	52.7	188.6	243
2SP ...14+2SP ...8	52.7	186.6	238.9
2SP ...14+2SP ...6	52.7	184.5	234.7
2SP ...14+2SP ...4	52.7	182.8	231.4
2SP ...16+2SP ...16	54.8	197.4	256.4
2SP ...16+2SP ...14	54.8	195.3	252.2
2SP ...16+2SP ...11	54.8	192.8	247.2
2SP ...16+2SP ...8	54.8	190.8	243.1
2SP ...16+2SP ...6	54.8	188.7	238.9
2SP ...16+2SP ...4	54.8	187	235.6
2SP ...19+2SP ...19	57.3	204.9	266.4
2SP ...19+2SP ...16	57.3	202.4	261.4

TIPO TYPE	A	B	C
2SP ...19+2SP ...14	57.3	200.3	257.2
2SP ...19+2SP ...11	57.3	197.8	252.2
2SP ...19+2SP ...8	57.3	195.8	248.1
2SP ...19+2SP ...6	57.3	193.7	243.9
2SP ...19+2SP ...4	57.3	192	240.6
2SP ...22+2SP ...22	59.8	212.4	276.4
2SP ...22+2SP ...19	59.8	209.9	271.4
2SP ...22+2SP ...16	59.8	207.4	266.4
2SP ...22+2SP ...14	59.8	205.3	262.2
2SP ...22+2SP ...11	59.8	202.8	257.2
2SP ...22+2SP ...8	59.8	200.8	253.1
2SP ...22+2SP ...6	59.8	198.7	248.9
2SP ...22+2SP ...4	59.8	197	245.6
2SP ...26+2SP ...26	62.7	221.1	288
2SP ...26+2SP ...22	62.7	218.2	282.2
2SP ...26+2SP ...19	62.7	215.7	277.2
2SP ...26+2SP ...16	62.7	213.2	272.2
2SP ...26+2SP ...14	62.7	211.1	268
2SP ...26+2SP ...11	62.7	208.6	263
2SP ...26+2SP ...8	62.7	206.6	258.9
2SP ...26+2SP ...6	62.7	204.5	254.7
2SP ...26+2SP ...4	62.7	202.8	251.4

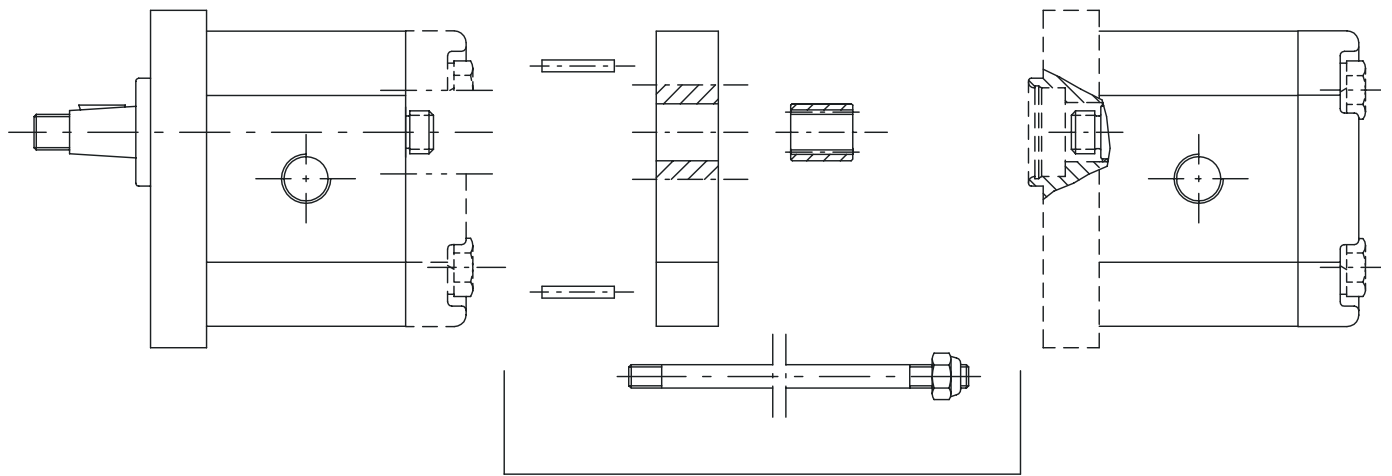
GR 2 START + GR 2 START TC (Tandem corto)
(Short Tandem)



TIPO TYPE	A	B	C
2SP ...4+2SP ...4	44.4	116.2	180
2SP ...6+2SP ...6	46	121.2	180
2SP ...6+2SP ...4	46	119.5	180
2SP ...8+2SP ...8	48.1	127.5	195
2SP ...8+2SP ...6	48.1	125.5	180
2SP ...8+2SP ...4	48.1	123.7	180
2SP ...11+2SP ...11	50.2	133.6	195
2SP ...11+2SP ...8	50.2	131.6	195
2SP ...11+2SP ...6	50.2	129.5	195
2SP ...11+2SP ...4	50.2	127.8	180
2SP ...14+2SP ...14	52.7	141.1	208
2SP ...14+2SP ...11	52.7	138.6	208
2SP ...14+2SP ...8	52.7	136.6	195
2SP ...14+2SP ...6	52.7	134.5	195
2SP ...14+2SP ...4	52.7	132.8	195
2SP ...16+2SP ...16	54.8	147.4	219
2SP ...16+2SP ...14	54.8	145.3	208
2SP ...16+2SP ...11	54.8	142.8	208
2SP ...16+2SP ...8	54.8	140.8	208
2SP ...16+2SP ...6	54.8	138.7	195
2SP ...16+2SP ...4	54.8	137	195
2SP ...19+2SP ...19	57.3	153.9	232
2SP ...19+2SP ...16	57.3	152.4	219

TIPO TYPE	A	B	C
2SP ...19+2SP ...14	57.3	150.3	219
2SP ...19+2SP ...11	57.3	147.8	208
2SP ...19+2SP ...8	57.3	145.8	208
2SP ...19+2SP ...6	57.3	143.7	208
2SP ...19+2SP ...4	57.3	142	192
2SP ...22+2SP ...22	59.8	162.4	232
2SP ...22+2SP ...19	59.8	159.9	232
2SP ...22+2SP ...16	59.8	157.4	232
2SP ...22+2SP ...14	59.8	155.3	219
2SP ...22+2SP ...11	59.8	152.8	219
2SP ...22+2SP ...8	59.8	150.8	208
2SP ...22+2SP ...6	59.8	148.7	208
2SP ...22+2SP ...4	59.8	147	208
2SP ...26+2SP ...26	62.7	171.1	244
2SP ...26+2SP ...22	62.7	168.2	244
2SP ...26+2SP ...19	62.7	165.7	232
2SP ...26+2SP ...16	62.7	163.2	232
2SP ...26+2SP ...14	62.7	161.1	232
2SP ...26+2SP ...11	62.7	158.6	219
2SP ...26+2SP ...8	62.7	156.6	219
2SP ...26+2SP ...6	62.7	154.5	219
2SP ...26+2SP ...4	62.7	152.8	208

GR 2 START + GR 2 START in TC (Tandem corto)
(Short Tandem)

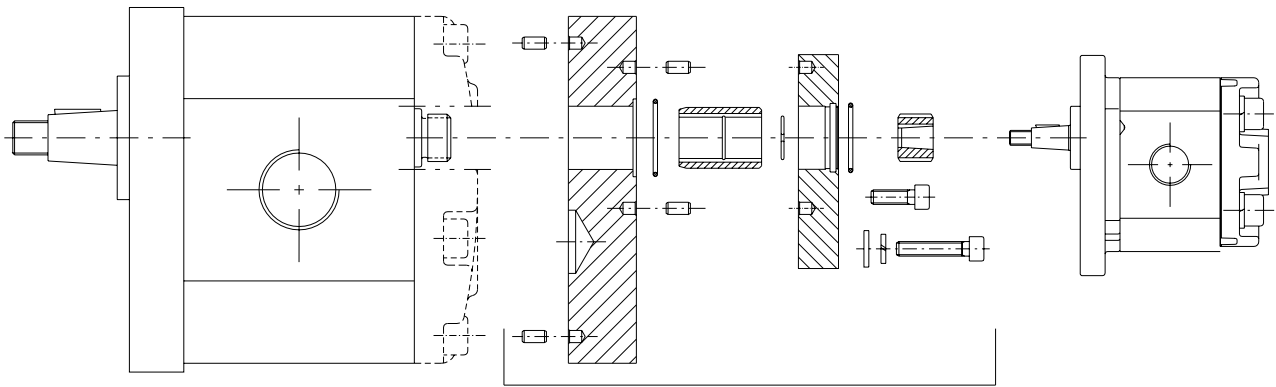


C
Codice di ordinazione del kit
Order code of kit

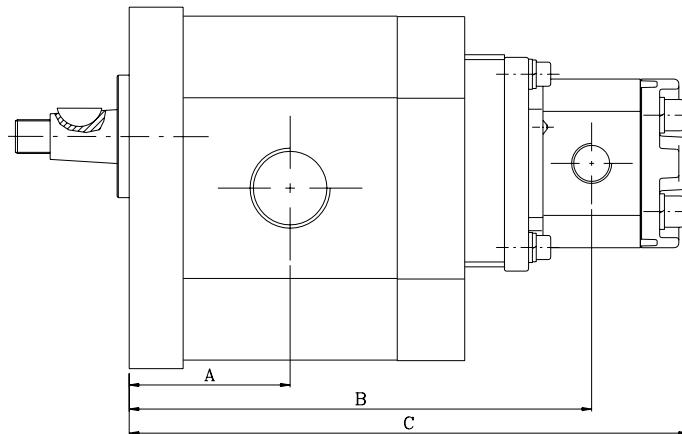
TIPO TYPE	C
2SP ...4+2SP ...4	010922291890100
2SP ...6+2SP ...6	
2SP ...6+2SP ...4	
2SP ...8+2SP ...8	010922291890200
2SP ...8+2SP ...6	010922291890100
2SP ...8+2SP ...4	
2SP ...11+2SP ...11	010922291890200
2SP ...11+2SP ...8	
2SP ...11+2SP ...6	
2SP ...11+2SP ...4	010922291890100
2SP ...14+2SP ...14	010922291890300
2SP ...14+2SP ...11	
2SP ...14+2SP ...8	010922291890200
2SP ...14+2SP ...6	
2SP ...14+2SP ...4	
2SP ...16+2SP ...16	010922291890400
2SP ...16+2SP ...14	010922291890300
2SP ...16+2SP ...11	
2SP ...16+2SP ...8	
2SP ...16+2SP ...6	010922291890200
2SP ...16+2SP ...4	
2SP ...19+2SP ...19	010922291890500
2SP ...19+2SP ...16	010922291890400

TIPO TYPE	C
2SP ...19+2SP ...14	010922291890400
2SP ...19+2SP ...11	010922291890300
2SP ...19+2SP ...8	
2SP ...19+2SP ...6	010922291890200
2SP ...19+2SP ...4	
2SP ...22+2SP ...22	010922291890500
2SP ...22+2SP ...19	
2SP ...22+2SP ...16	
2SP ...22+2SP ...14	010922291890400
2SP ...22+2SP ...11	
2SP ...22+2SP ...8	010922291890300
2SP ...22+2SP ...6	
2SP ...22+2SP ...4	
2SP ...26+2SP ...26	010922291890600
2SP ...26+2SP ...22	
2SP ...26+2SP ...19	010922291890500
2SP ...26+2SP ...16	
2SP ...26+2SP ...14	
2SP ...26+2SP ...11	010922291890400
2SP ...26+2SP ...8	
2SP ...26+2SP ...6	
2SP ...26+2SP ...4	010922291890300

GR 3 START + GR 1 START



Codice di ordinazione del kit **010931100000000**
 Order code of kit

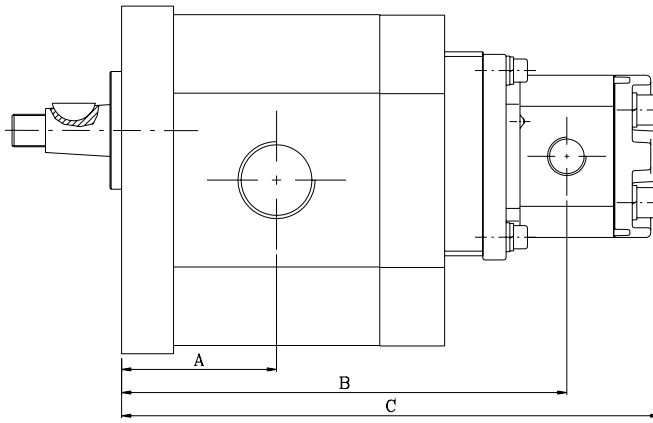


Con flangia SAEB incrementare le quote A, B e C di 3 mm

With SAEB flange increase A, B and C dimensions of 3 mm

TIPO TYPE	A	B	C
3SP ...62 + 1SP A9.8	80.35	234.95	291,1
3SP ...62 + 1SP A7.8	80.35	231	283,2
3SP ...62 + 1SP A6.3	80.35	228.15	277,5
3SP ...62 + 1SP A5.0	80.35	225.6	272,4
3SP ...62 + 1SP A4.2	80.35	224.05	269,3
3SP ...62 + 1SP A3.7	80.35	223.1	267,4
3SP ...62 + 1SP A3.2	80.35	222.1	265,4
3SP ...62 + 1SP A2.5	80.35	220.75	262,7
3SP ...62 + 1SP A2.0	80.35	219.75	260,7
3SP ...62 + 1SP A1.6	80.35	219	259,2
3SP ...62 + 1SP A1.2	80.35	218.15	257,5
3SP ...62 + 1SP A0.9	80.35	217.6	256,4
3SP ...52 + 1SP A9.8	76.35	226.95	283,1
3SP ...52 + 1SP A7.8	76.35	223	275,2
3SP ...52 + 1SP A6.3	76.35	220.15	269,5
3SP ...52 + 1SP A5.0	76.35	217.6	264,4
3SP ...52 + 1SP A4.2	76.35	216.05	261,3
3SP ...52 + 1SP A3.7	76.35	215.1	259,4
3SP ...52 + 1SP A3.2	76.35	214.1	257,4

TIPO TYPE	A	B	C
3SP ...52 + 1SP A2.5	76.35	212.75	254,7
3SP ...52 + 1SP A2.0	76.35	211.75	252,7
3SP ...52 + 1SP A1.6	76.35	211	251,2
3SP ...52 + 1SP A1.2	76.35	210.15	249,5
3SP ...52 + 1SP A0.9	76.35	209.6	248,4
3SP ...44 + 1SP A9.8	72.85	219.95	276,1
3SP ...44 + 1SP A7.8	72.85	216	268,2
3SP ...44 + 1SP A6.3	72.85	213.15	262,5
3SP ...44 + 1SP A5.0	72.85	210.6	257,4
3SP ...44 + 1SP A4.2	72.85	209.05	254,3
3SP ...44 + 1SP A3.7	72.85	208.1	252,4
3SP ...44 + 1SP A3.2	72.85	207.1	250,4
3SP ...44 + 1SP A2.5	72.85	205.75	247,7
3SP ...44 + 1SP A2.0	72.85	204.75	245,7
3SP ...44 + 1SP A1.6	72.85	204	244,2
3SP ...44 + 1SP A1.2	72.85	203.15	242,5
3SP ...44 + 1SP A0.9	72.85	202.6	241,4
3SP ...36 + 1SP A9.8	69.85	213.95	270,1
3SP ...36 + 1SP A7.8	68.35	210	262,2



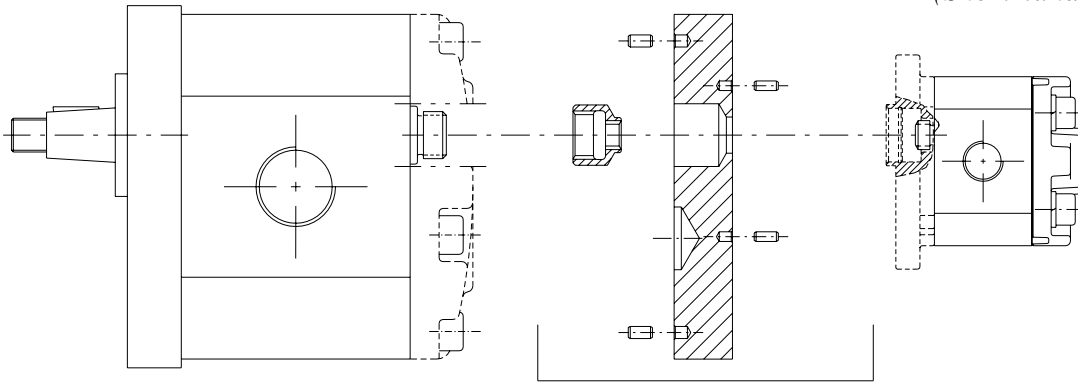
Con flangia SAEB incrementare le quote A, B e C di 3 mm

With SAEB flange increase A, B and C dimensions of 3 mm

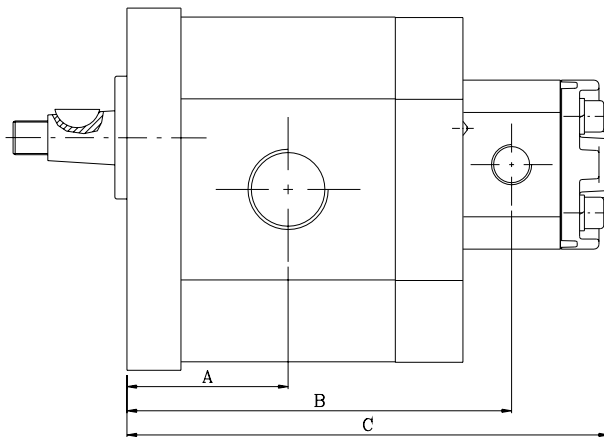
TIPO TYPE	A	B	C
3SP ...36 + 1SP A6.3	69.85	207.15	256,5
3SP ...36 + 1SP A5.0	69.85	204.6	251,4
3SP ...36 + 1SP A4.2	69.85	203.05	248,3
3SP ...36 + 1SP A3.7	69.85	202.1	246,4
3SP ...36 + 1SP A3.2	69.85	201.1	244,4
3SP ...36 + 1SP A2.5	69.85	199.75	241,7
3SP ...36 + 1SP A2.0	69.85	198.75	239,7
3SP ...36 + 1SP A1.6	69.85	198	238,2
3SP ...36 + 1SP A1.2	69.85	197.15	236,5
3SP ...36 + 1SP A0.9	69.85	196.6	235,4
3SP ...33 + 1SP A9.8	68.35	210.95	267,1
3SP ...33 + 1SP A7.8	68.35	207	259,2
3SP ...33 + 1SP A6.3	68.35	204.15	253,5
3SP ...33 + 1SP A5.0	68.35	201.6	248,4
3SP ...33 + 1SP A4.2	68.35	200.05	245,3
3SP ...33 + 1SP A3.7	68.35	199.1	243,4
3SP ...33 + 1SP A3.2	68.35	198.1	241,4
3SP ...33 + 1SP A2.5	68.35	196.75	238,7
3SP ...33 + 1SP A2.0	68.35	195.75	236,7
3SP ...33 + 1SP A1.6	68.35	195	235,2
3SP ...33 + 1SP A1.2	68.35	194.15	233,5
3SP ...33 + 1SP A0.9	68.35	193.6	232,4
3SP ...29 + 1SP A9.8	66.85	207.95	264,1
3SP ...29 + 1SP A7.8	66.85	204	256,2
3SP ...29 + 1SP A6.3	66.85	201.15	250,5
3SP ...29 + 1SP A5.0	66.85	198.6	245,4
3SP ...29 + 1SP A4.2	66.85	197.05	242,3
3SP ...29 + 1SP A3.7	66.85	196.1	240,4
3SP ...29 + 1SP A3.2	66.85	195.1	238,4
3SP ...29 + 1SP A2.5	66.85	193.75	235,7

TIPO TYPE	A	B	C
3SP ...29 + 1SP A2.0	66.85	192.75	233,7
3SP ...29 + 1SP A1.6	66.85	192	232,2
3SP ...29 + 1SP A1.2	66.85	191.15	230,5
3SP ...29 + 1SP A0.9	66.85	190.6	229,4
3SP ...22 + 1SP A9.8	63.85	201.95	258,1
3SP ...22 + 1SP A7.8	63.85	198	250,2
3SP ...22 + 1SP A6.3	63.85	195.15	244,5
3SP ...22 + 1SP A5.0	63.85	192.6	239,4
3SP ...22 + 1SP A4.2	63.85	191.05	236,3
3SP ...22 + 1SP A3.7	63.85	190.1	234,4
3SP ...22 + 1SP A3.2	63.85	189.1	232,4
3SP ...22 + 1SP A2.5	63.85	187.75	229,7
3SP ...22 + 1SP A2.0	63.85	186.75	227,7
3SP ...22 + 1SP A1.6	63.85	186	226,2
3SP ...22 + 1SP A1.2	63.85	185.15	224,5
3SP ...22 + 1SP A0.9	63.85	184.6	223,4
3SP ...19 + 1SP A9.8	62.35	198.95	255,1
3SP ...19 + 1SP A7.8	62.35	195	247,2
3SP ...19 + 1SP A6.3	62.35	192.15	241,5
3SP ...19 + 1SP A5.0	62.35	189.6	236,4
3SP ...19 + 1SP A4.2	62.35	188.05	233,3
3SP ...19 + 1SP A3.7	62.35	187.1	231,4
3SP ...19 + 1SP A3.2	62.35	186.1	229,4
3SP ...19 + 1SP A2.5	62.35	184.75	226,7
3SP ...19 + 1SP A2.0	62.35	183.75	224,7
3SP ...19 + 1SP A1.6	62.35	183	223,2
3SP ...19 + 1SP A1.2	62.35	182.15	221,5
3SP ...19 + 1SP A0.9	62.35	181.6	220,4

GR 3 START + GR 1 START TC (Tandem corto) (Short tandem)



Codice di ordinazione del kit **01093101000000**
Order code of kit

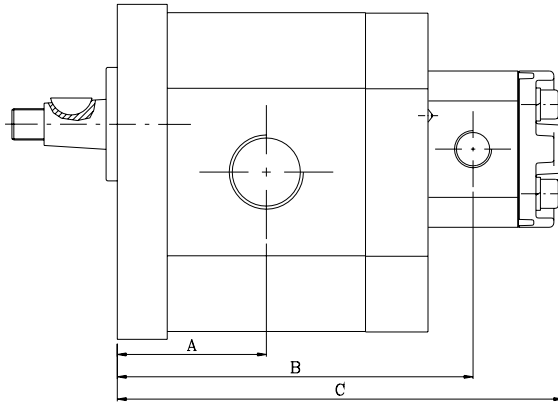


Con flangia SAEB incrementare le quote A, B e C di 3 mm

With SAEB flange increase A, B and C dimensions of 3 mm

TIPO TYPE	A	B	C
3SP ...62 + 1SP A9.8 TC	80,35	198,65	254,8
3SP ...62 + 1SP A7.8 TC	80,35	194,7	246,9
3SP ...62 + 1SP A6.3 TC	80,35	191,85	241,2
3SP ...62 + 1SP A5.0 TC	80,35	189,3	236,1
3SP ...62 + 1SP A4.2 TC	80,35	187,75	233
3SP ...62 + 1SP A3.7 TC	80,35	186,8	231,1
3SP ...62 + 1SP A3.2 TC	80,35	185,8	229,1
3SP ...62 + 1SP A2.5 TC	80,35	184,45	226,4
3SP ...62 + 1SP A2.0 TC	80,35	183,45	224,4
3SP ...62 + 1SP A1.6 TC	80,35	182,7	222,9
3SP ...62 + 1SP A1.2 TC	80,35	181,85	221,2
3SP ...62 + 1SP A0.9 TC	80,35	181,3	220,1
3SP ...52 + 1SP A9.8 TC	76,35	190,65	246,8
3SP ...52 + 1SP A7.8 TC	76,35	186,7	238,9
3SP ...52 + 1SP A6.3 TC	76,35	183,85	233,2
3SP ...52 + 1SP A5.0 TC	76,35	181,3	228,1
3SP ...52 + 1SP A4.2 TC	76,35	179,75	225
3SP ...52 + 1SP A3.7 TC	76,35	178,8	223,1
3SP ...52 + 1SP A3.2 TC	76,35	177,8	221,1

TIPO TYPE	A	B	C
3SP ...52 + 1SP A2.5 TC	76,35	176,45	218,4
3SP ...52 + 1SP A2.0 TC	76,35	175,45	216,4
3SP ...52 + 1SP A1.6 TC	76,35	174,7	214,9
3SP ...52 + 1SP A1.2 TC	76,35	173,85	213,2
3SP ...52 + 1SP A0.9 TC	76,35	173,3	212,1
3SP ...44 + 1SP A9.8 TC	72,85	183,65	239,8
3SP ...44 + 1SP A7.8 TC	72,85	179,7	231,9
3SP ...44 + 1SP A6.3 TC	72,85	176,85	226,2
3SP ...44 + 1SP A5.0 TC	72,85	174,3	221,1
3SP ...44 + 1SP A4.2 TC	72,85	172,75	218
3SP ...44 + 1SP A3.7 TC	72,85	171,8	216,1
3SP ...44 + 1SP A3.2 TC	72,85	170,8	214,1
3SP ...44 + 1SP A2.5 TC	72,85	169,45	211,4
3SP ...44 + 1SP A2.0 TC	72,85	168,45	209,4
3SP ...44 + 1SP A1.6 TC	72,85	167,7	207,9
3SP ...44 + 1SP A1.2 TC	72,85	166,85	206,2
3SP ...44 + 1SP A0.9 TC	72,85	166,3	205,1
3SP ...36 + 1SP A9.8 TC	69,85	177,65	233,8
3SP ...36 + 1SP A7.8 TC	69,85	173,7	225,9



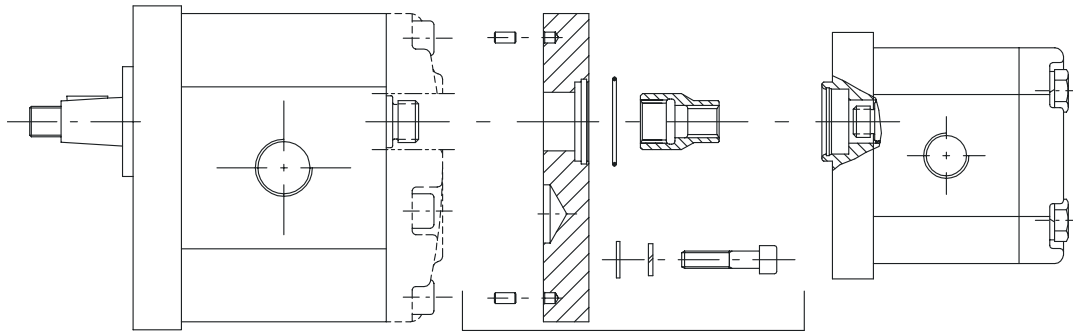
Con flangia SAEB incrementare le quote A, B e C di 3 mm

With SAEB flange increase A, B and C dimensions of 3 mm

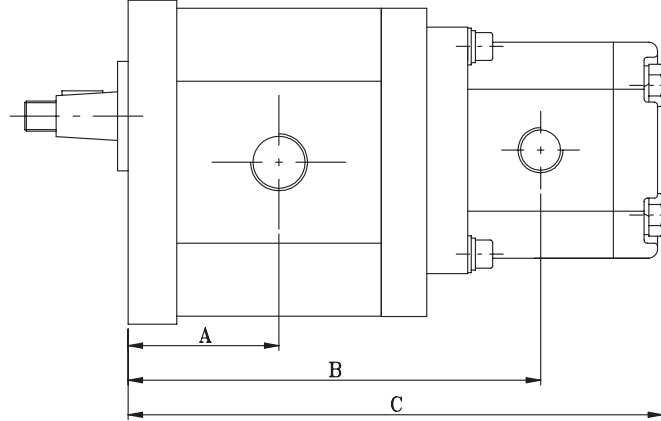
TIPO TYPE	A	B	C
3SP ...36 + 1SP A6.3 TC	69,85	170,85	220,2
3SP ...36 + 1SP A5.0 TC	69,85	168,3	215,1
3SP ...36 + 1SP A4.2 TC	69,85	166,75	212
3SP ...36 + 1SP A3.7 TC	69,85	165,8	210,1
3SP ...36 + 1SP A3.2 TC	69,85	164,8	208,1
3SP ...36 + 1SP A2.5 TC	69,85	163,45	205,4
3SP ...36 + 1SP A2.0 TC	69,85	162,45	203,4
3SP ...36 + 1SP A1.6 TC	69,85	161,7	201,9
3SP ...36 + 1SP A1.2 TC	69,85	160,85	200,2
3SP ...36 + 1SP A0.9 TC	69,85	160,3	199,1
3SP ...33 + 1SP A9.8 TC	68,35	174,65	230,8
3SP ...33 + 1SP A7.8 TC	68,35	170,7	222,9
3SP ...33 + 1SP A6.3 TC	68,35	167,85	217,2
3SP ...33 + 1SP A5.0 TC	68,35	165,3	212,1
3SP ...33 + 1SP A4.2 TC	68,35	163,75	209
3SP ...33 + 1SP A3.7 TC	68,35	162,8	207,1
3SP ...33 + 1SP A3.2 TC	68,35	161,8	205,1
3SP ...33 + 1SP A2.5 TC	68,35	160,45	202,4
3SP ...33 + 1SP A2.0 TC	68,35	159,45	200,4
3SP ...33 + 1SP A1.6 TC	68,35	158,7	198,9
3SP ...33 + 1SP A1.2 TC	68,35	157,85	197,2
3SP ...33 + 1SP A0.9 TC	68,35	157,3	196,1
3SP ...29 + 1SP A9.8 TC	66,85	171,65	227,8
3SP ...29 + 1SP A7.8 TC	66,85	167,7	219,9
3SP ...29 + 1SP A6.3 TC	66,85	164,85	214,2
3SP ...29 + 1SP A5.0 TC	66,85	162,3	209,1
3SP ...29 + 1SP A4.2 TC	66,85	160,75	206
3SP ...29 + 1SP A3.7 TC	66,85	159,8	204,1
3SP ...29 + 1SP A3.2 TC	66,85	158,8	202,1
3SP ...29 + 1SP A2.5 TC	66,85	157,45	199,4

TIPO TYPE	A	B	C
3SP ...29 + 1SP A2.0 TC	66,85	156,45	197,4
3SP ...29 + 1SP A1.6 TC	66,85	155,7	195,9
3SP ...29 + 1SP A1.2 TC	66,85	154,85	194,2
3SP ...29 + 1SP A0.9 TC	66,85	154,3	193,1
3SP ...22 + 1SP A9.8 TC	63,85	165,65	221,8
3SP ...22 + 1SP A7.8 TC	63,85	161,7	213,9
3SP ...22 + 1SP A6.3 TC	63,85	158,85	208,2
3SP ...22 + 1SP A5.0 TC	63,85	156,3	203,1
3SP ...22 + 1SP A4.2 TC	63,85	154,75	200
3SP ...22 + 1SP A3.7 TC	63,85	153,8	198,1
3SP ...22 + 1SP A3.2 TC	63,85	152,8	196,1
3SP ...22 + 1SP A2.5 TC	63,85	151,45	193,4
3SP ...22 + 1SP A2.0 TC	63,85	150,45	191,4
3SP ...22 + 1SP A1.6 TC	63,85	149,7	189,9
3SP ...22 + 1SP A1.2 TC	63,85	148,85	188,2
3SP ...22 + 1SP A0.9 TC	63,85	148,3	187,1
3SP ...19 + 1SP A9.8 TC	62,35	162,65	218,8
3SP ...19 + 1SP A7.8 TC	62,35	158,7	210,9
3SP ...19 + 1SP A6.3 TC	62,35	155,85	205,2
3SP ...19 + 1SP A5.0 TC	62,35	153,3	200,1
3SP ...19 + 1SP A4.2 TC	62,35	151,75	197
3SP ...19 + 1SP A3.7 TC	62,35	150,8	195,1
3SP ...19 + 1SP A3.2 TC	62,35	149,8	193,1
3SP ...19 + 1SP A2.5 TC	62,35	148,45	190,4
3SP ...19 + 1SP A2.0 TC	62,35	147,45	188,4
3SP ...19 + 1SP A1.6 TC	62,35	146,7	186,9
3SP ...19 + 1SP A1.2 TC	62,35	145,85	185,2
3SP ...19 + 1SP A0.9 TC	62,35	145,3	184,1

GR 3START + GR 2START TC (Tandem corto)
(Short Tandem)



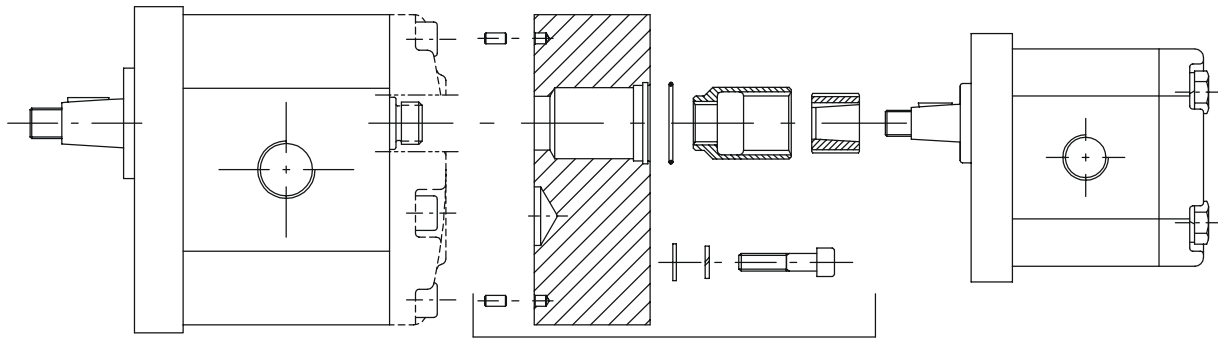
Codice di ordinazione del kit **010932100000000**
Order code of kit



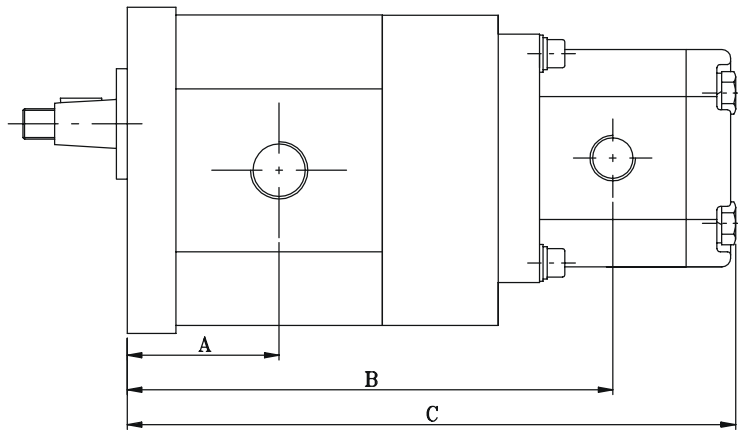
TIPO TYPE	A	B	C
3SP ...62+2SP 26	80.4	222	288.9
3SP ...62+2SP 22	80.4	219.1	283.1
3SP ...62+2SP 19	80.4	216.6	278.1
3SP ...62+2SP 16	80.4	214.1	273.1
3SP ...62+2SP 14	80.4	212	268.9
3SP ...62+2SP 11	80.4	209.5	263.9
3SP ...62+2SP 8	80.4	207.4	259.8
3SP ...62+2SP 6	80.4	205.3	255.6
3SP ...62+2SP 4	80.4	203.7	252.3
3SP ...52+2SP 26	76.4	214	280.9
3SP ...52+2SP 22	76.4	211.1	275.1
3SP ...52+2SP 19	76.4	208.6	270.1
3SP ...52+2SP 16	76.4	206.1	265.1
3SP ...52+2SP 14	76.4	204	260.9
3SP ...52+2SP 11	76.4	201.5	255.9
3SP ...52+2SP 8	76.4	199.4	251.8
3SP ...62+2SP 6	76.4	197.3	247.6
3SP ...52+2SP 4	76.4	195.7	244.3
3SP ...44+2SP 26	72.9	207	273.9
3SP ...44+2SP 22	72.9	204.1	268.1
3SP ...44+2SP 19	72.9	201.6	263.1
3SP ...44+2SP 16	72.9	199.1	258.1
3SP ...44+2SP 14	72.9	197	253.9
3SP ...44+2SP 11	72.9	194.5	248.9
3SP ...44+2SP 8	72.9	192.4	244.8
3SP ...44+2SP 6	72.9	190.3	240.6
3SP ...44+2SP 4	72.9	188.7	237.3
3SP ...36+2SP 26	69.9	201	267.9
3SP ...36+2SP 22	69.9	198.1	262.1
3SP ...36+2SP 19	69.9	195.6	257.1
3SP ...36+2SP 16	69.9	193.1	252.1
3SP ...36+2SP 14	69.9	191	247.9
3SP ...36+2SP 11	69.9	188.5	242.9
3SP ...36+2SP 8	69.9	186.4	238.8
3SP ...36+2SP 6	69.9	184.3	234.6
3SP ...36+2SP 4	69.9	182.7	231.3

TIPO TYPE	A	B	C
3SP ...33+2SP 26	68.4	198	264.9
3SP ...33+2SP 22	68.4	195.1	259.1
3SP ...33+2SP 19	68.4	192.6	254.1
3SP ...33+2SP 16	68.4	190.1	249.1
3SP ...33+2SP 14	68.4	188	244.9
3SP ...33+2SP 11	68.4	185.5	239.9
3SP ...33+2SP 8	68.4	183.4	235.8
3SP ...33+2SP 6	68.4	181.3	231.6
3SP ...33+2SP 4	68.4	179.7	228.3
3SP ...29+2SP 26	66.9	195	261.9
3SP ...29+2SP 22	66.9	192.1	256.1
3SP ...29+2SP 19	66.9	189.6	251.1
3SP ...29+2SP 16	66.9	187.1	246.1
3SP ...29+2SP 14	66.9	185	241.9
3SP ...29+2SP 11	66.9	182.5	236.9
3SP ...29+2SP 8	66.9	180.4	232.8
3SP ...29+2SP 6	66.9	178.3	228.6
3SP ...29+2SP 4	66.9	176.7	225.3
3SP ...22+2SP 26	63.9	189	255.9
3SP ...22+2SP 22	63.9	186.1	250.1
3SP ...22+2SP 19	63.9	183.6	245.1
3SP ...22+2SP 16	63.9	181.1	240.1
3SP ...22+2SP 14	63.9	179	235.9
3SP ...22+2SP 11	63.9	176.5	230.9
3SP ...22+2SP 8	63.9	174.4	226.8
3SP ...22+2SP 6	63.9	172.3	222.6
3SP ...22+2SP 4	63.9	170.7	219.3
3SP ...19+2SP 26	62.4	186	252.9
3SP ...19+2SP 22	62.4	183.1	247.1
3SP ...19+2SP 19	62.4	180.6	242.1
3SP ...19+2SP 16	62.4	178.1	237.1
3SP ...19+2SP 14	62.4	176	232.9
3SP ...19+2SP 11	62.4	173.5	227.9
3SP ...19+2SP 8	62.4	171.4	223.8
3SP ...19+2SP 6	62.4	169.3	219.6
3SP ...19+2SP 4	62.4	167.7	216.3

GR 3START + GR 2START



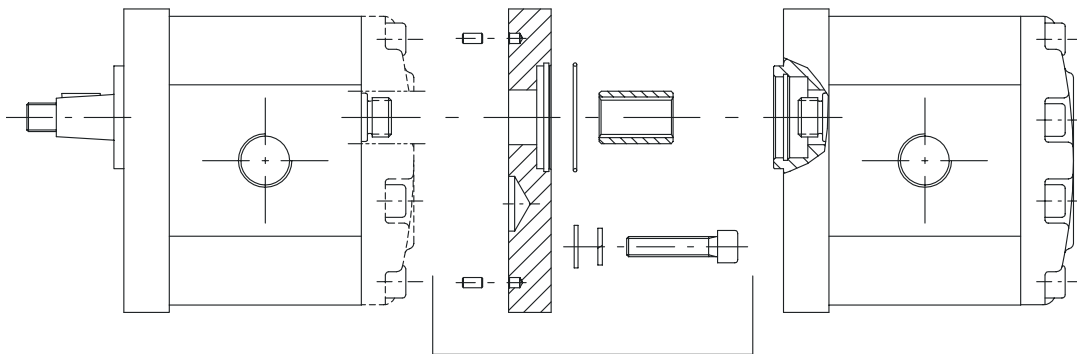
Ordine di kit 01093200000000
Order code of kit



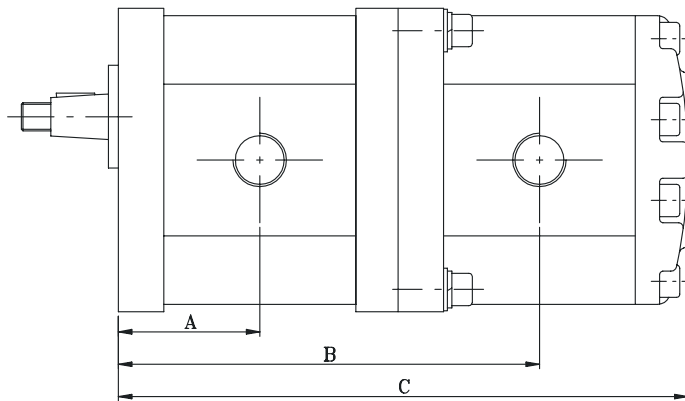
TIPO TYPE	A	B	C
3SP ...62+2SP 26	80.4	257	323.9
3SP ...62+2SP 22	80.4	254.1	318.1
3SP ...62+2SP 19	80.4	251.6	313.1
3SP ...62+2SP 16	80.4	249.1	308.1
3SP ...62+2SP 14	80.4	247	303.9
3SP ...62+2SP 11	80.4	244.5	298.9
3SP ...62+2SP 8	80.4	242.4	294.8
3SP ...62+2SP 6	80.4	240.3	290.6
3SP ...62+2SP 4	80.4	238.7	287.3
3SP ...52+2SP 26	76.4	249	315.9
3SP ...52+2SP 22	76.4	246.1	310.1
3SP ...52+2SP 19	76.4	243.6	305.1
3SP ...52+2SP 16	76.4	241.1	300.1
3SP ...52+2SP 14	76.4	239	295.9
3SP ...52+2SP 11	76.4	236.5	290.9
3SP ...52+2SP 8	76.4	234.4	286.8
3SP ...62+2SP 6	76.4	232.3	282.6
3SP ...52+2SP 4	76.4	230.7	279.3
3SP ...44+2SP 26	72.9	242	308.9
3SP ...44+2SP 22	72.9	239.1	303.1
3SP ...44+2SP 19	72.9	236.6	298.1
3SP ...44+2SP 16	72.9	234.1	293.1
3SP ...44+2SP 14	72.9	232	288.9
3SP ...44+2SP 11	72.9	229.5	283.9
3SP ...44+2SP 8	72.9	227.4	279.8
3SP ...44+2SP 6	72.9	225.3	275.6
3SP ...44+2SP 4	72.9	223.7	272.3
3SP ...36+2SP 26	69.9	236	302.9
3SP ...36+2SP 22	69.9	233.1	297.1
3SP ...36+2SP 19	69.9	230.6	292.1
3SP ...36+2SP 16	69.9	228.1	287.1
3SP ...36+2SP 14	69.9	226	282.9
3SP ...36+2SP 11	69.9	223.5	277.9
3SP ...36+2SP 8	69.9	221.4	273.8
3SP ...36+2SP 6	69.9	219.3	269.6
3SP ...36+2SP 4	69.9	217.7	266.3

TIPO TYPE	A	B	C
3SP ...33+2SP 26	68.4	232	299.9
3SP ...33+2SP 22	68.4	230.1	294.1
3SP ...33+2SP 19	68.4	227.6	289.1
3SP ...33+2SP 16	68.4	225.1	284.1
3SP ...33+2SP 14	68.4	223	279.9
3SP ...33+2SP 11	68.4	220.5	274.9
3SP ...33+2SP 8	68.4	218.4	270.8
3SP ...33+2SP 6	68.4	216.3	266.6
3SP ...33+2SP 4	68.4	214.7	263.3
3SP ...29+2SP 26	66.9	230	296.9
3SP ...29+2SP 22	66.9	227.1	291.1
3SP ...29+2SP 19	66.9	224.6	286.1
3SP ...29+2SP 16	66.9	222.1	281.1
3SP ...29+2SP 14	66.9	220	276.9
3SP ...29+2SP 11	66.9	217.5	271.9
3SP ...29+2SP 8	66.9	215.4	267.8
3SP ...29+2SP 6	66.9	213.3	263.6
3SP ...29+2SP 4	66.9	201.7	260.3
3SP ...22+2SP 26	63.9	224	290.9
3SP ...22+2SP 22	63.9	221.1	285.1
3SP ...22+2SP 19	63.9	218.6	280.1
3SP ...22+2SP 16	63.9	216.1	275.1
3SP ...22+2SP 14	63.9	214	270.9
3SP ...22+2SP 11	63.9	211.5	265.9
3SP ...22+2SP 8	63.9	209.4	261.8
3SP ...22+2SP 6	63.9	207.3	257.6
3SP ...22+2SP 4	63.9	305.7	254.3
3SP ...19+2SP 26	62.4	221	287.9
3SP ...19+2SP 22	62.4	218.1	282.1
3SP ...19+2SP 19	62.4	215.6	277.1
3SP ...19+2SP 16	62.4	213.1	272.1
3SP ...19+2SP 14	62.4	211	267.9
3SP ...19+2SP 11	62.4	208.5	262.9
3SP ...19+2SP 8	62.4	306.4	258.8
3SP ...19+2SP 6	62.4	204.3	254.6
3SP ...19+2SP 4	62.4	202.7	251.3

GR 3START + GR 3START TC (Tandem corto)
(Short Tandem)



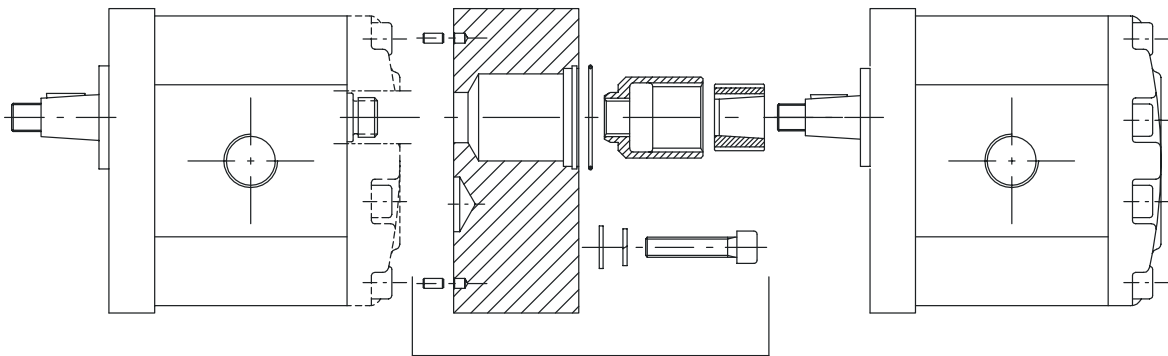
Codice di ordinazione del kit **010933100000000**
Order code of kit



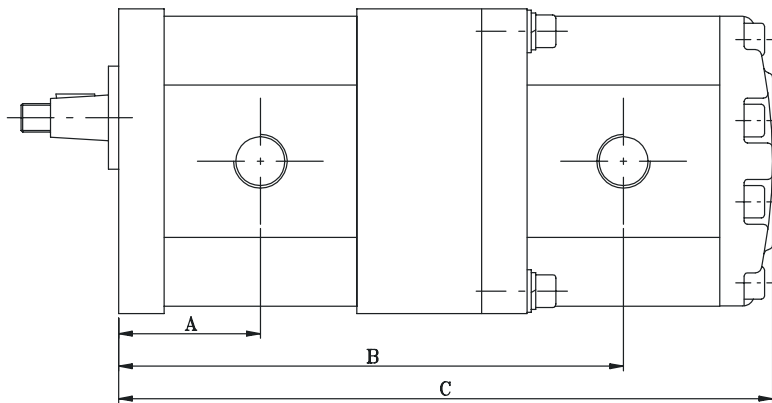
TIPO TYPE	A	B	C
3SP 62 + 3 SP ..62	80.4	239.7	323.6
3SP 62 + 3 SP ..52	80.4	235.7	315.6
3SP 62 + 3 SP ..44	80.4	232.2	308.6
3SP 62 + 3 SP ..36	80.4	229.2	302.6
3SP 62 + 3 SP ..33	80.4	227.7	299.6
3SP 62 + 3 SP ..29	80.4	226.2	296.6
3SP 62 + 3 SP ..22	80.4	223.2	290.6
3SP 62 + 3 SP ..19	80.4	221.7	287.6
3SP 52 + 3 SP ..52	76.4	227.7	307.6
3SP 52 + 3 SP ..44	76.4	224.2	300.6
3SP 52 + 3 SP ..36	76.4	221.2	294.6
3SP 52 + 3 SP ..33	76.4	219.7	291.6
3SP 52 + 3 SP ..29	76.4	218.2	288.6
3SP 52 + 3 SP ..22	76.4	215.2	282.6
3SP 52 + 3 SP ..19	76.4	213.7	279.6
3SP 44 + 3 SP ..44	72.9	217.2	293.6
3SP 44 + 3 SP ..36	72.9	214.2	287.6
3SP 44 + 3 SP ..33	72.9	212.7	284.6

TIPO TYPE	A	B	C
3SP 44 + 3 SP ..29	72.9	211.2	281.6
3SP 44 + 3 SP ..22	72.9	208.2	275.6
3SP 44 + 3 SP ..19	72.9	206.7	272.6
3SP 36 + 3 SP ..36	69.9	208.2	281.6
3SP 36 + 3 SP ..33	69.9	206.7	278.6
3SP 36 + 3 SP ..29	69.9	205.2	275.6
3SP 36 + 3 SP ..22	69.9	202.2	269.6
3SP 36 + 3 SP ..19	69.9	200.7	266.6
3SP 33 + 3 SP ..33	68.4	203.7	275.6
3SP 33 + 3 SP ..29	68.4	202.2	272.6
3SP 33 + 3 SP ..22	68.4	199.2	266.6
3SP 33 + 3 SP ..19	68.4	197.7	263.6
3SP 29 + 3 SP ..29	66.9	199.2	269.6
3SP 29 + 3 SP ..22	66.9	196.2	263.6
3SP 29 + 3 SP ..19	66.9	194.7	260.6
3SP 22 + 3 SP ..22	63.9	190.2	257.6
3SP 22 + 3 SP ..19	63.9	188.7	254.6
3SP 19 + 3 SP ..19	62.4	185.7	251.6

GR 3START + GR 3START



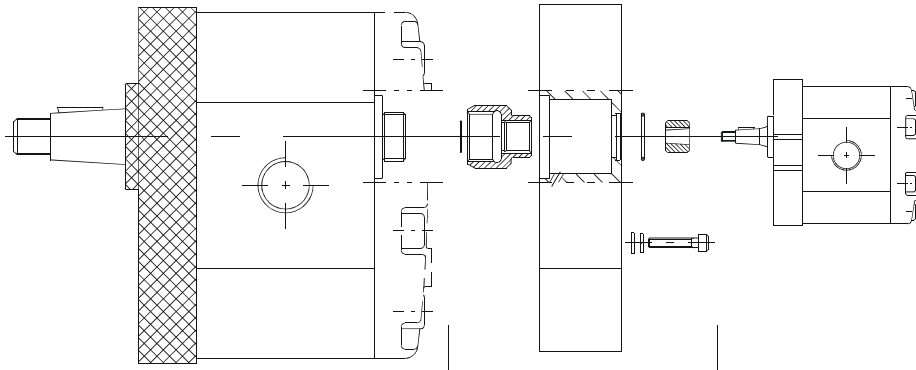
Codice di ordinazione del kit 010933000000000
Order code of kit



TIPO TYPE	A	B	C
3SP 62 + 3 SP ..62	80.4	283.7	367.6
3SP 62 + 3 SP ..52	80.4	279.7	359.6
3SP 62 + 3 SP ..44	80.4	276.2	352.6
3SP 62 + 3 SP ..36	80.4	273.2	346.6
3SP 62 + 3 SP ..33	80.4	272.7	343.6
3SP 62 + 3 SP ..29	80.4	270.2	340.6
3SP 62 + 3 SP ..22	80.4	267.2	334.6
3SP 62 + 3 SP ..19	80.4	265.7	331.6
3SP 52 + 3 SP ..52	76.4	271.7	351.6
3SP 52 + 3 SP ..44	76.4	268.2	344.6
3SP 52 + 3 SP ..36	76.4	265.2	338.6
3SP 52 + 3 SP ..33	76.4	263.7	335.6
3SP 52 + 3 SP ..29	76.4	262.2	332.6
3SP 52 + 3 SP ..22	76.4	259.2	326.6
3SP 52 + 3 SP ..19	76.4	257.7	323.6
3SP 44 + 3 SP ..44	72.9	261.2	337.6
3SP 44 + 3 SP ..36	72.9	258.2	331.6
3SP 44 + 3 SP ..33	72.9	256.7	328.6

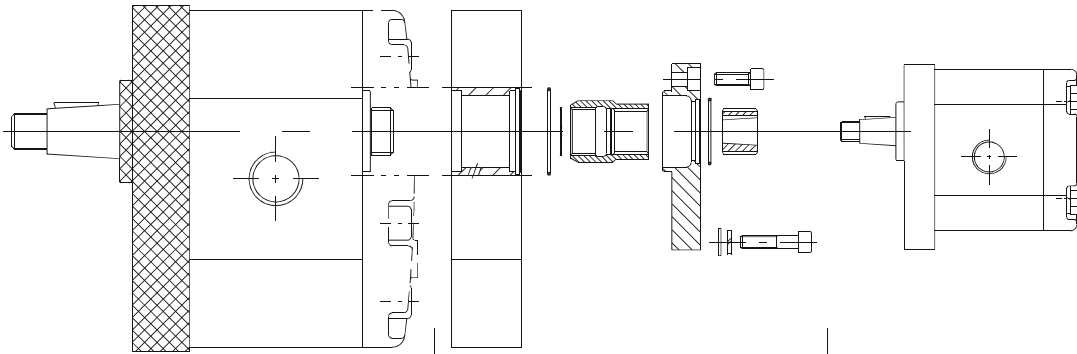
TIPO TYPE	A	B	C
3SP 44 + 3 SP ..29	72.9	255.2	325.6
3SP 44 + 3 SP ..22	72.9	252.2	319.6
3SP 44 + 3 SP ..19	72.9	250.7	316.6
3SP 36 + 3 SP ..36	69.9	252.2	325.6
3SP 36 + 3 SP ..33	69.9	250.7	322.6
3SP 36 + 3 SP ..29	69.9	249.2	319.6
3SP 36 + 3 SP ..22	69.9	246.2	313.6
3SP 36 + 3 SP ..19	69.9	244.7	310.6
3SP 33 + 3 SP ..33	68.4	247.7	319.6
3SP 33 + 3 SP ..29	68.4	246.2	316.6
3SP 33 + 3 SP ..22	68.4	243.2	310.6
3SP 33 + 3 SP ..19	68.4	241.7	307.6
3SP 29 + 3 SP ..29	66.9	243.2	313.6
3SP 29 + 3 SP ..22	66.9	240.2	307.6
3SP 29 + 3 SP ..19	66.9	238.7	304.6
3SP 22 + 3 SP ..22	63.9	234.2	301.6
3SP 22 + 3 SP ..19	63.9	232.7	298.6
3SP 19 + 3 SP ..19	62.4	229.7	295.6

GR 4 + GR 1



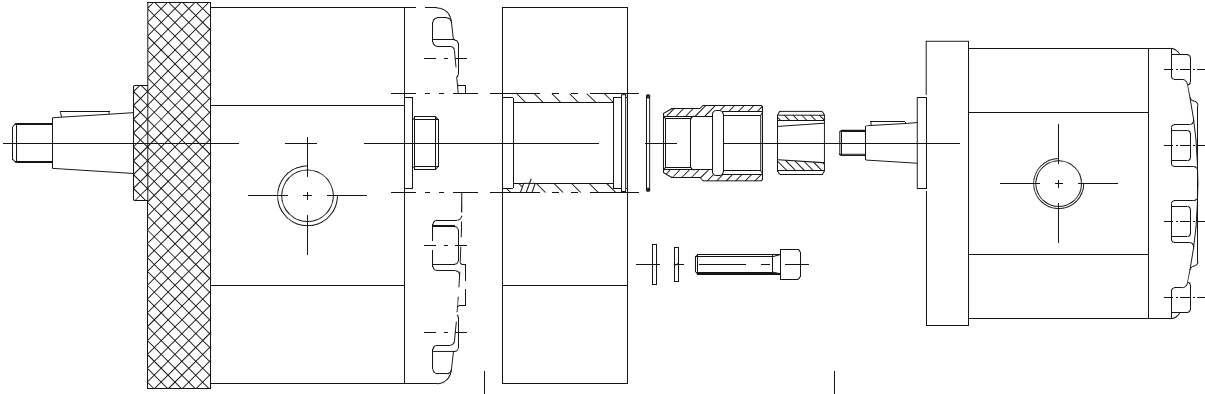
Codice di ordinazione del kit 0104100000000000
Order code of kit

GR 4 + GR 2START



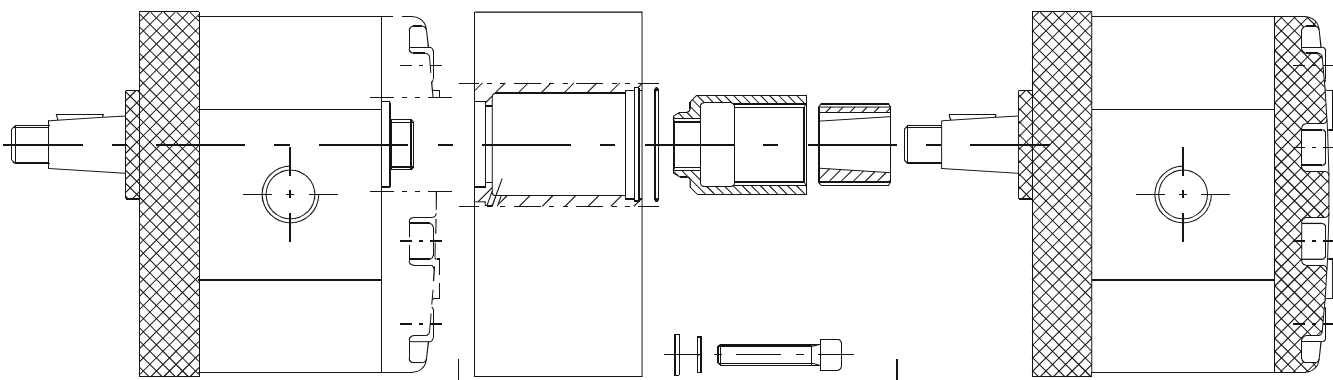
Codice di ordinazione del kit 0104200000000000
Order code of kit

GR 4 + GR 3START



Codice di ordinazione del kit 0104300000000000
Order code of kit

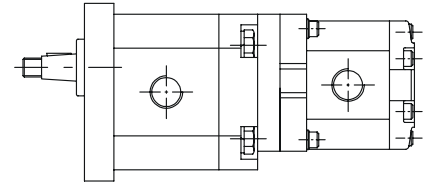
GR 4 + GR 4



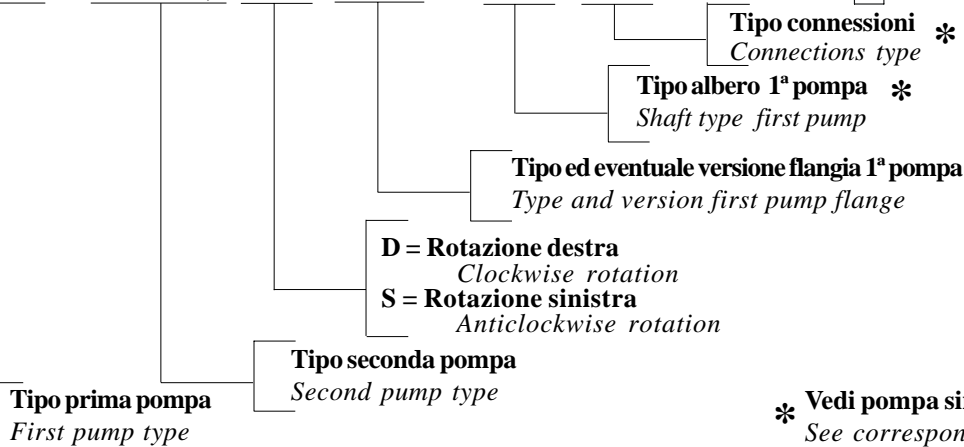
Codice di ordinazione del kit 0104400000000000
Order code of kit

ESEMPIO DI ORDINAZIONE IN CODICE / EXAMPLE OF ORDERING CODE

POMPE DOPPIE STANDARD
DOUBLE PUMP STANDARD

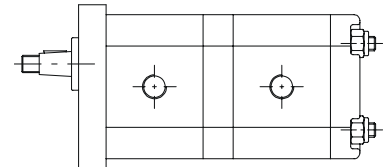


2SP A14 + 1SP A4,2 D

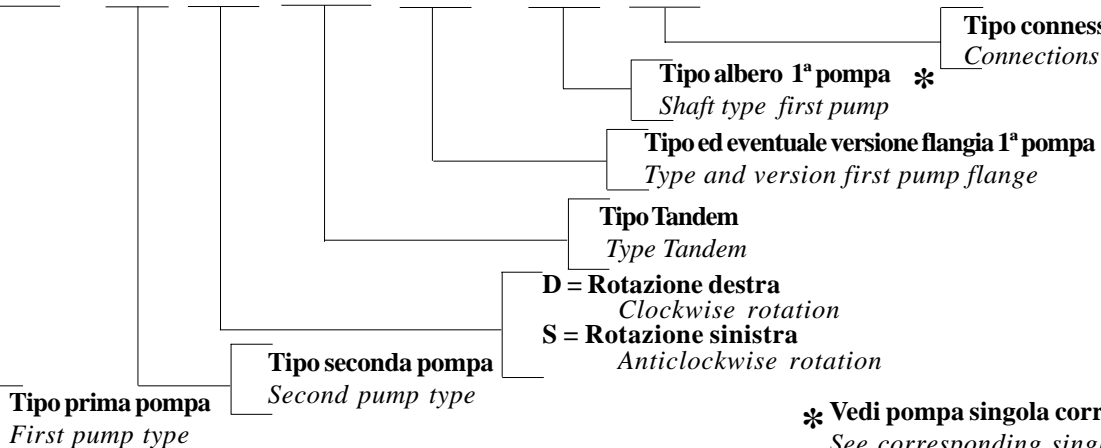


* Vedi pompa singola corrispondente
See corresponding single pump

TANDEM CORTO TC (solo GR.2 e GR.3)
SHORT TANDEM TC (only GR.2 and GR.3)

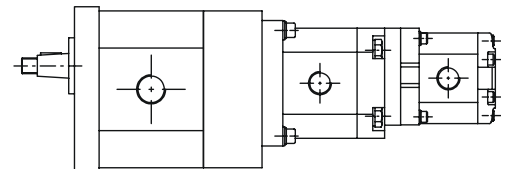


2SP A14 + A14 D TC

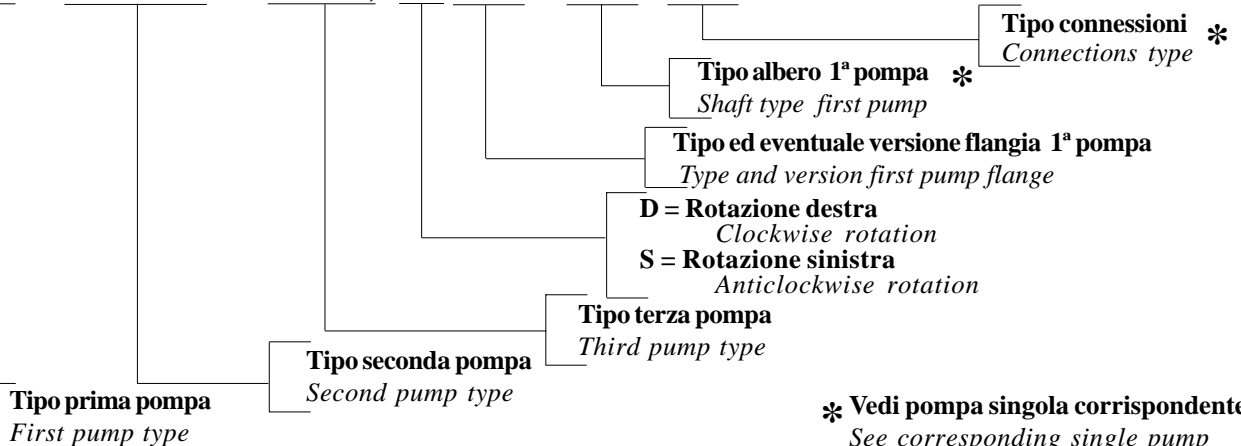


* Vedi pompa singola corrispondente
See corresponding single pump

POMPE TRIPLE STANDARD
TRIPLE PUMP STANDARD



3SP A36 + 2SP A14 + 1SP A3,2 D



* Vedi pompa singola corrispondente
See corresponding single pump

Galtech s.p.a. Via Kennedy, 10 - 42100 Reggio Emilia - Italy

Tel: +39.0522.300348 Fax: +39.0522.300803

<http://www.galtech.it> - e-mail: galtech@galtech.it