

LMD 400 - 401 431



LMD

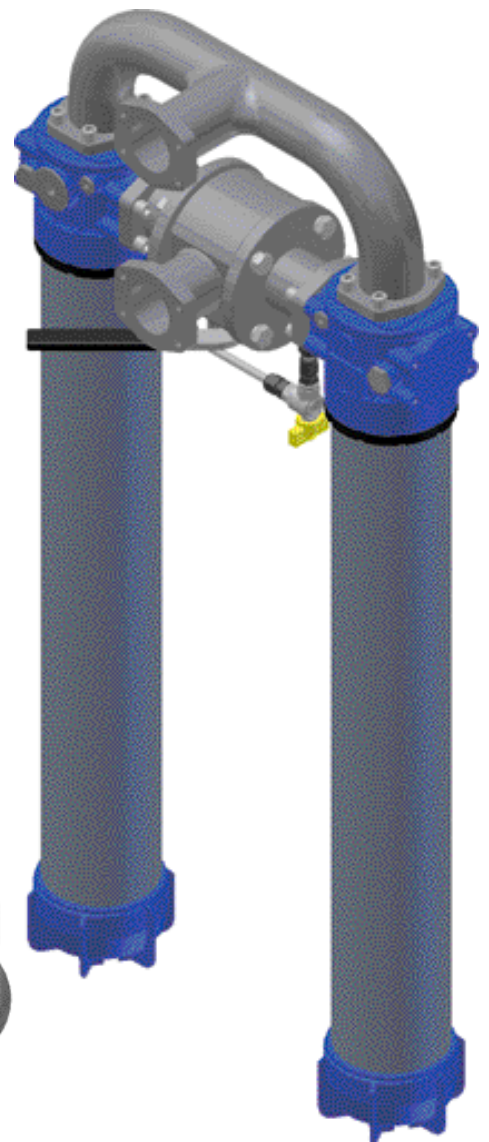
SERIES 400 - 401 431

LMD 431

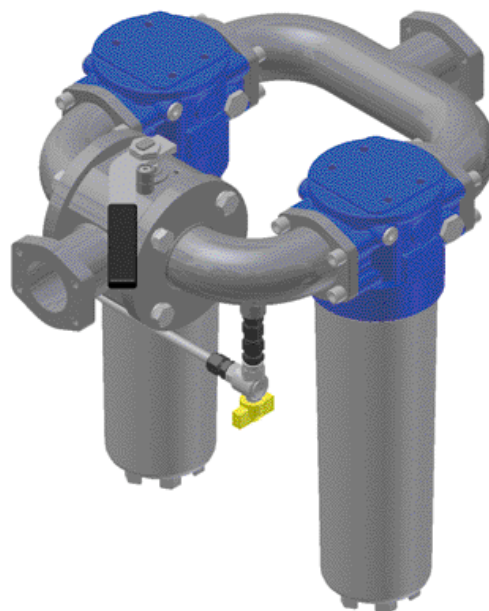


**Working pressure
16 bar**

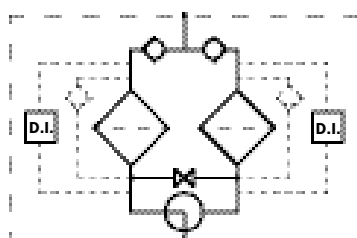
LMD 401



LMD 400



LMD 400 - 401 - 431
Duplex filter



Technical data

Filter housings (Materials)

- Head: Anodised Aluminium
- Housing: Anodised Aluminium
- Manifolds: Steel - Painted black
- Bypass valve: Steel / Stainless steel
- 3-way ball valve: - Steel housings
- Stainless steel ball
- Valve: phosphated steel - ASI 304

Pressure

- SAE Flange
- Working pressure: 16 bar (1.6 MPa)
- Test pressure: 25 bar (2.5 MPa)

Temperature

- From -25°C to +110°C

Bypass valve

- Opening pressure 3.5 bar ±10%
- Other opening pressures on request.

Filter elements Δp

- Series N and W elements: 20 bar
- Oil flow from exterior to interior.

Seals

- Standard FPM series V

Weights (kg) Length

- LMD400/401 4 60
- LMD400/401 5 65
- LMD400/401 6 72
- LMD431 5 68
- LMD431 6 75

Volumes (dm³) Length

- LMD400/401/431 4 18
- LMD400/401/431 5 24
- LMD400/401/431 6 32

Connections

Inlet/Outlet

- Twin vertically mounted (excluded version LMD400)
- In-line

Compatibility

- Housings compatible with:
Mineral oils to ISO 2943 - aqueous emulsions
synthetic fluids, water and glycol.
- The filter elements are compatible with:
Mineral oils to ISO 2943, Synthetic fluids
Aqueous emulsions, water and glycol (series W required).
- NBR seals series A, compatible with:
Mineral oils to ISO 2943 - aqueous emulsions
synthetic fluids, water and glycol.
- V series FPM seals, compatible with:
Synthetic fluids type HS-HFDR-HFDS-HFDU
To ISO 2943

Filter Element Area of Working Housing/Housings

Filter element in stainless steel mesh

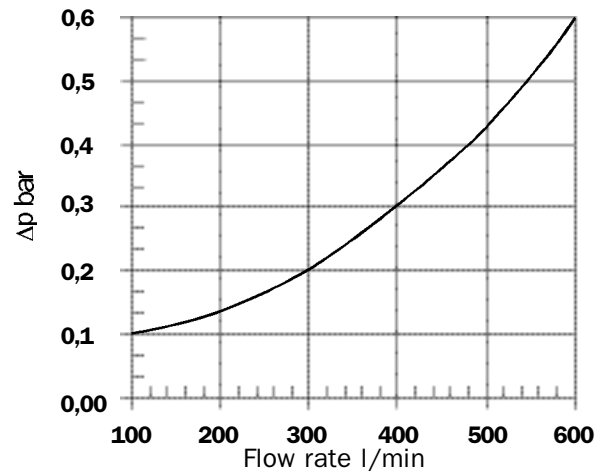
Type	LMD 400/401/431 Length		
	4	5	6
CU400	6550	10200	15300
Values expressed in cm ²			

Filter housings Δp pressure drop

The curves are plotted utilising mineral oil with density of 0.86 kg/dm³ to ISO 3968.

Δp varies proportionally with density.

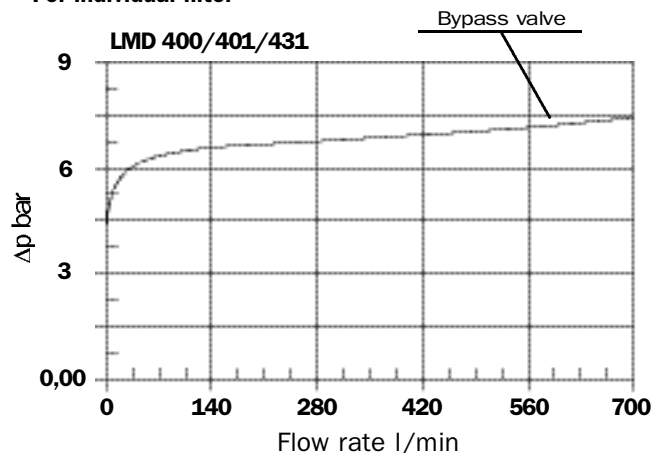
LMD 400/401/431
 Δp Housings

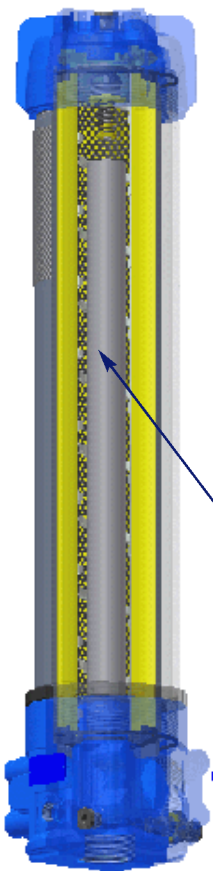


Valves

Bypass valve pressure drop

For individual filter





Option P02 “Internal tube for reduced flow rate” is recommended for flow rate values below: 150 l/min. The use of option P02 makes it easier to fill the housing with the operating fluid.

P02 “Internal tube for reduced flow rates”

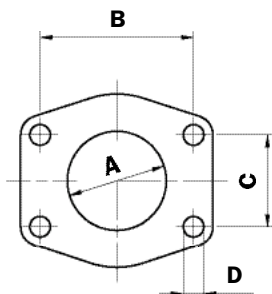
Recommended maximum flow rate

Recommended maximum flow rate for filters installed on lubrication lines, return or in-line filters is defined by the maximum oil velocity in the connections. For filters mounted on Off-Line lines the maximum recommended flow rate is defined by the pressure drop of the filter element.

Filter for pressurised lubrication, max. oil velocity 2.5 m/sec.
Return or in-line filter, max oil velocity 5 m/sec.

Flange Connection

Flange
2 1/2” SAE 3000 psi



Oil velocity	Connections 2 1/2”
2,5 m/sec.	500
5 m/sec.	1000

Flow rate l/min

Connections Flange IN-OUT	2 1/2” SAE 3000 psi/M	2 1/2” SAE 3000 psi/UNC
A	63	63
B	88,90	88,90
C	50,80	50,80
D	M12	1/2” UNC

Recommended maximum flow rate

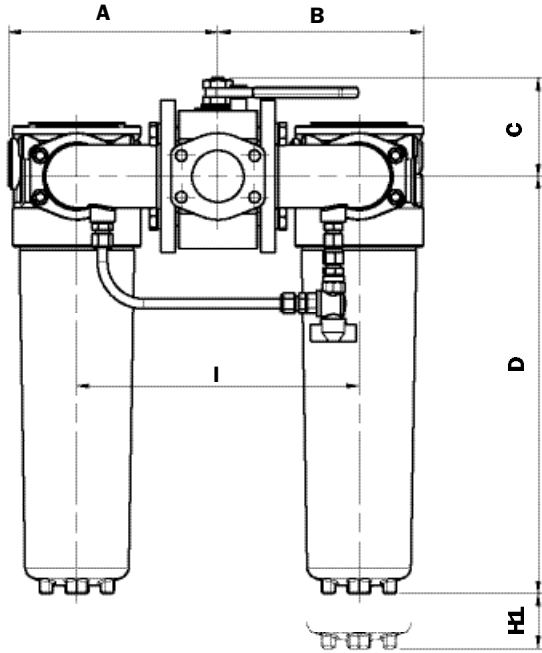
- Pressure drop of filter assembly equal to Δp 0.6 bar.
- Oil kinematic viscosity 30 mm²/s (cSt).
- Density 0.86 kg/dm³.

Filter element type	Flow rate l/min Series N	Filter Type	Length
A03	265	LMD 400 LMD 401	4
A06	310		
A10	410		
A16	430		
A25	485		
P10	500		
P25	520		
M25	570		
<hr/>			
A03	355	LMD 400 LMD 401 LMD 431	5
A06	385		
A10	465		
A16	500		
A25	540		
P10	530		
P25	540		
M25	580		
<hr/>			
A03	390	LMD 400 LMD 401 LMD 431	6
A06	440		
A10	510		
A16	520		
A25	560		
P10	540		
P25	555		
M25	590		

Dimensions

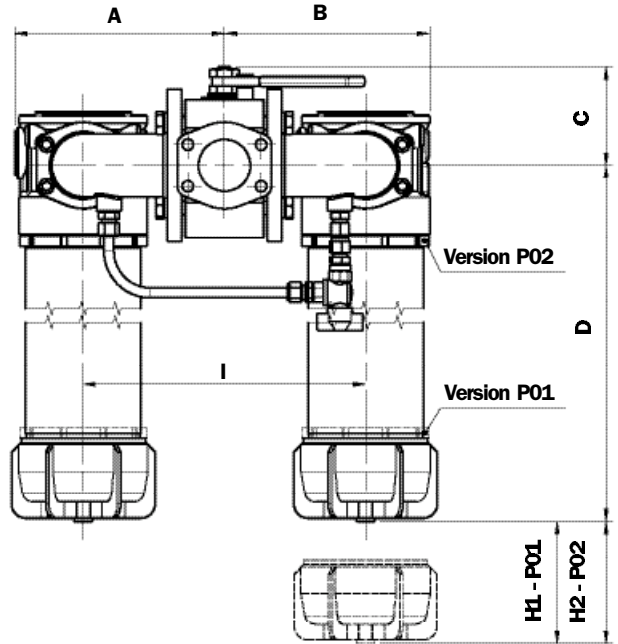
LMD 400

Length 4

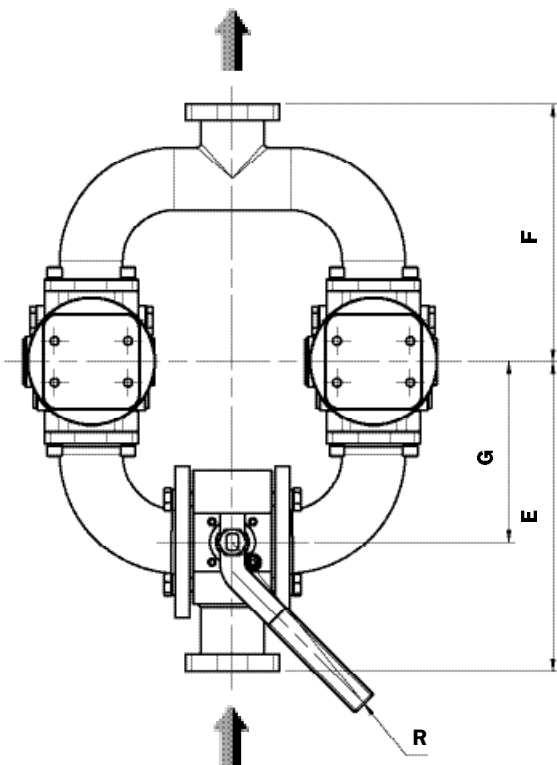
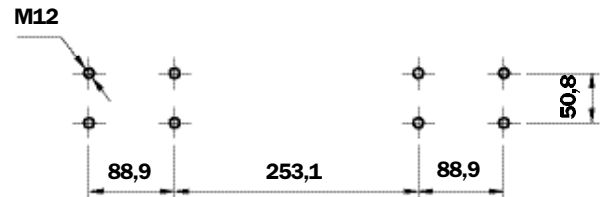


LMD 400

Length 5 - 6



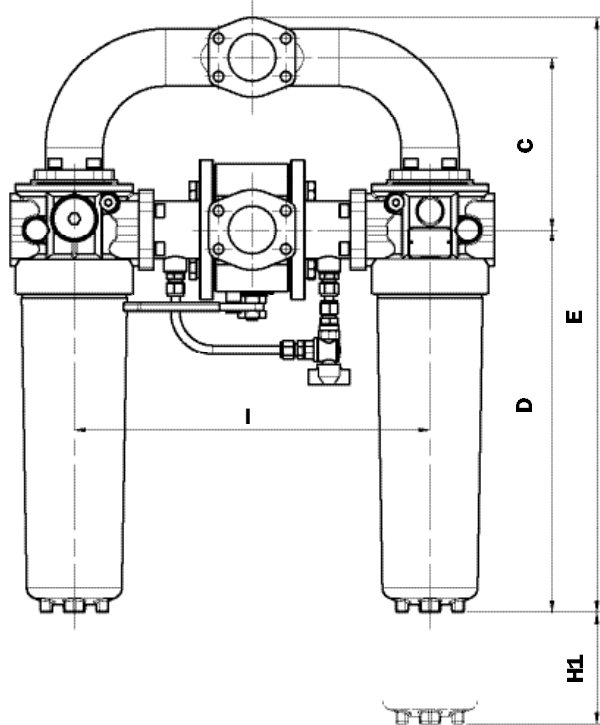
Filter fixing holes LMD 400



	Length 4	Length 5	Length 6
A	255	255	255
B	255	255	255
C	120	120	120
D	513	765	1095
E	351	351	351
F	285	285	285
G	195	195	195
H1	120	120	120
H2	-	660	990
I	342	342	342
R	255	255	255

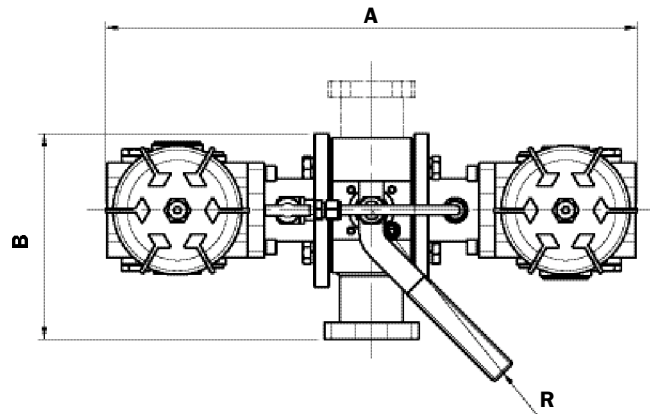
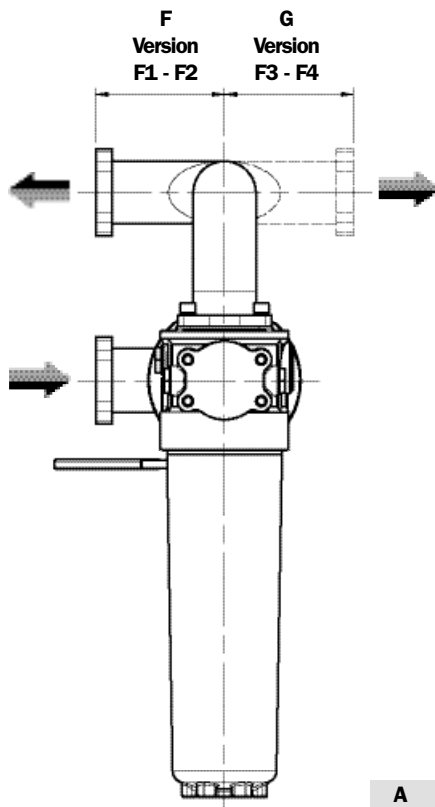
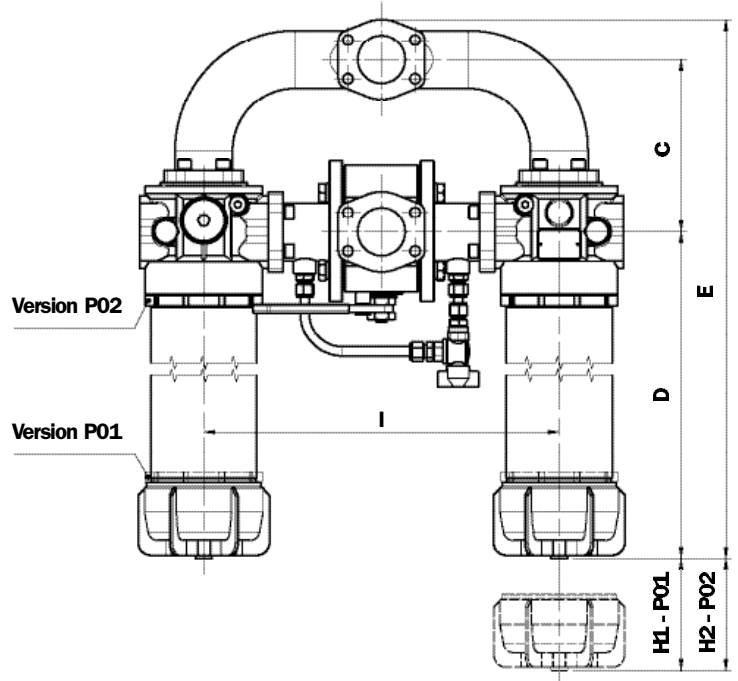
LMD 401

Length 4



LMD 401

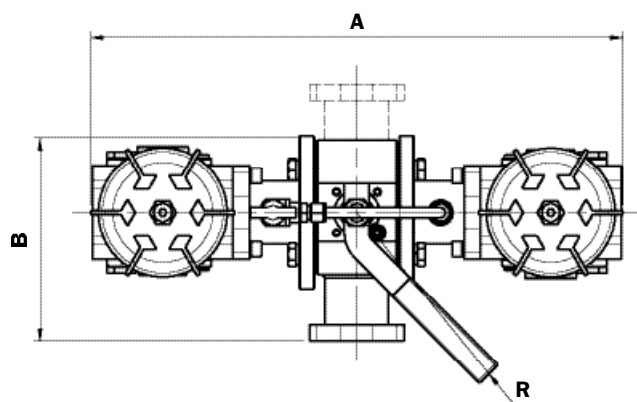
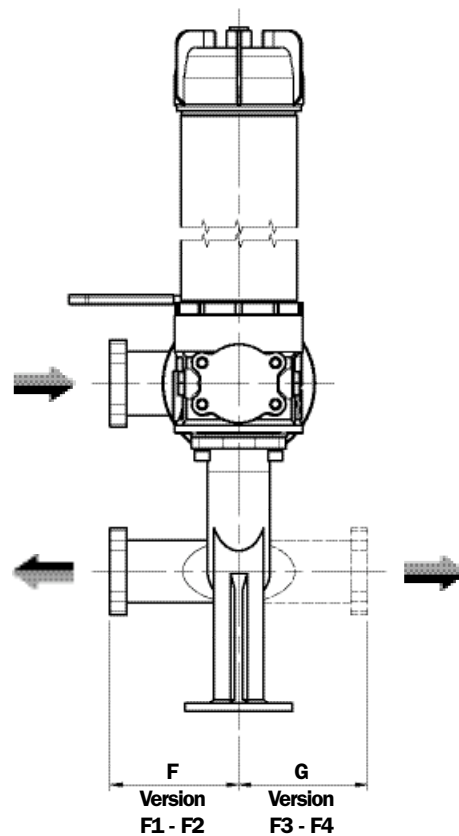
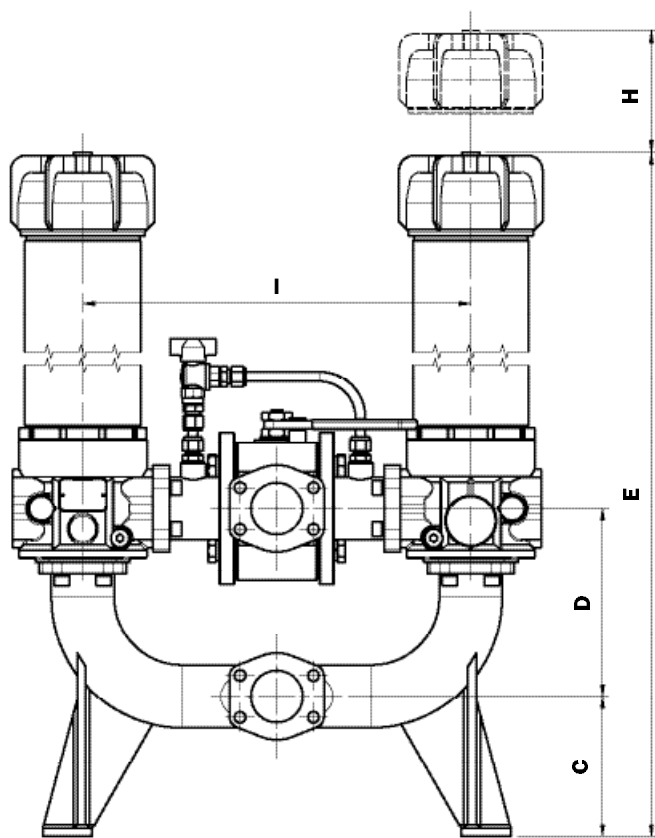
Length 5 - 6



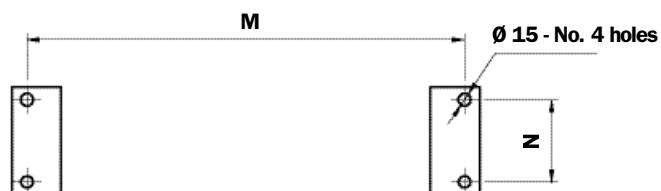
	Length 4	Length 5	Length 6		Length 4	Length 5	Length 6
A	640	640	640	G	156	156	156
B	250	250	250	H1	120	120	120
C	228	228	228	H2	-	660	990
D	513	765	1095	I	470	470	470
E	796	1048	1378	R	255	255	255
F	156	156	156				

LMD 431

Length 5 - 6

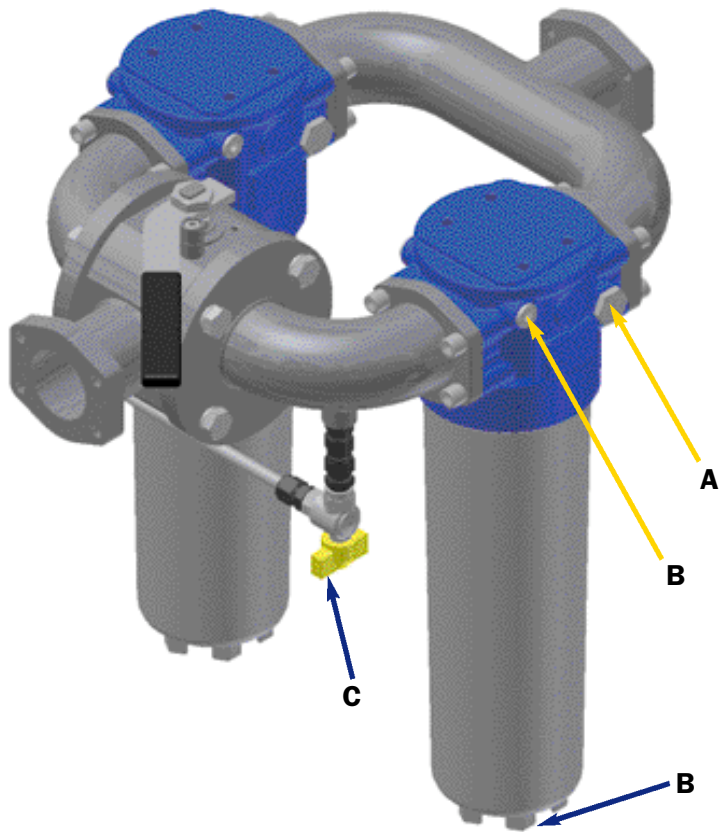


Filter fixing holes LMD 431

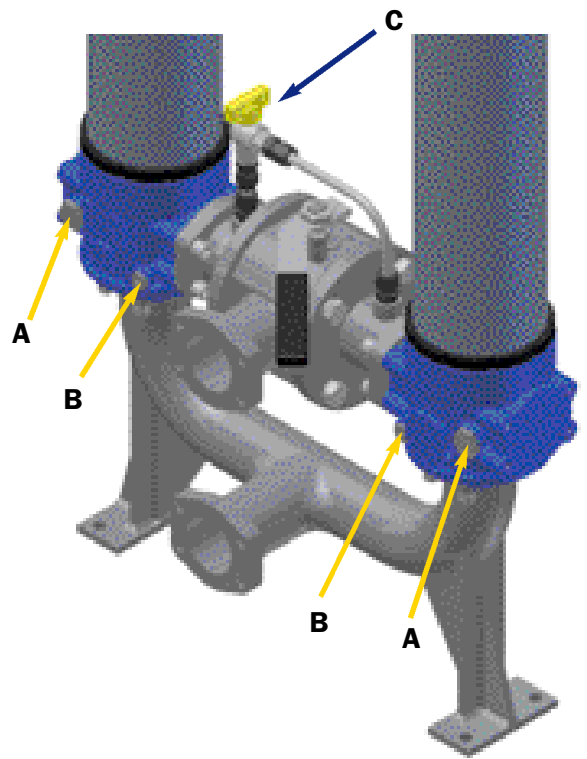


	Length 5	Length 6
A	640	640
B	250	250
C	170	170
D	228	228
E	1165	1495
F	156	156
G	156	156
H	660	990
I	470	470
M	530	530
N	100	100
R	255	255

LMD 400



LMD 431



A Indicator connection plug T2 Ch. 30

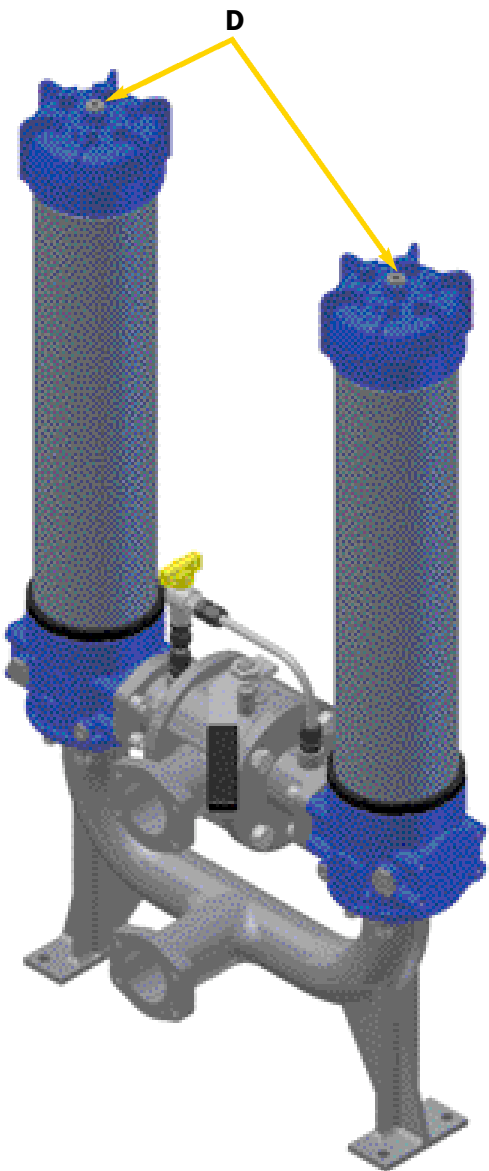
B Oil drain plug G 1/2" Ch. 10

C Compensation valve

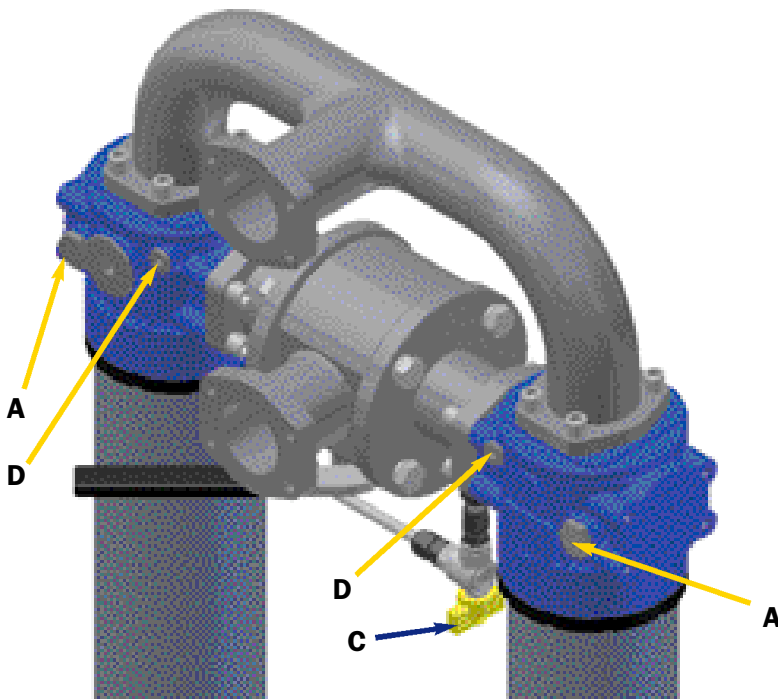
D Breather plug G 1/2" Ch. 10

Differential indicator:

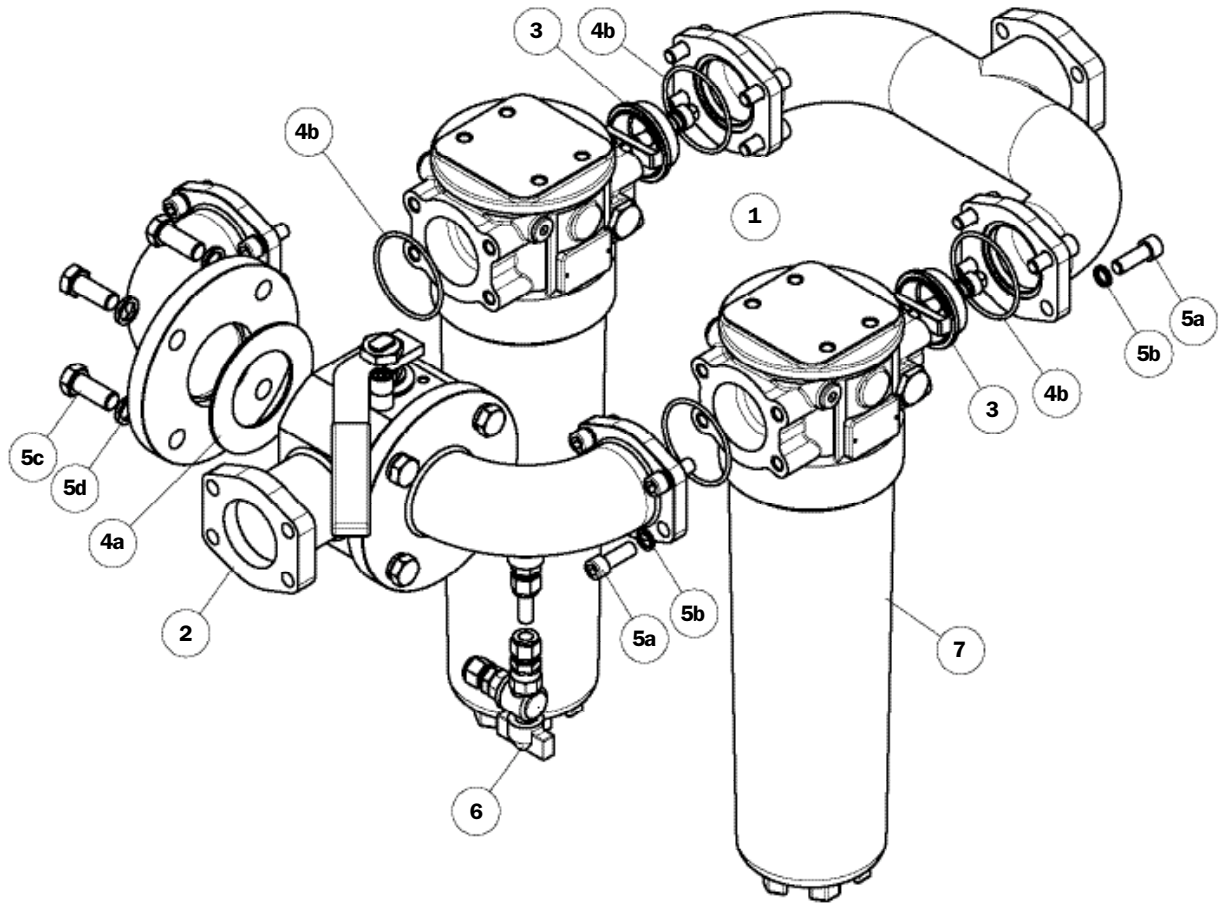
LMD 400 - 401 - 431 Fit one indicator per individual filter assembly



LMD 401

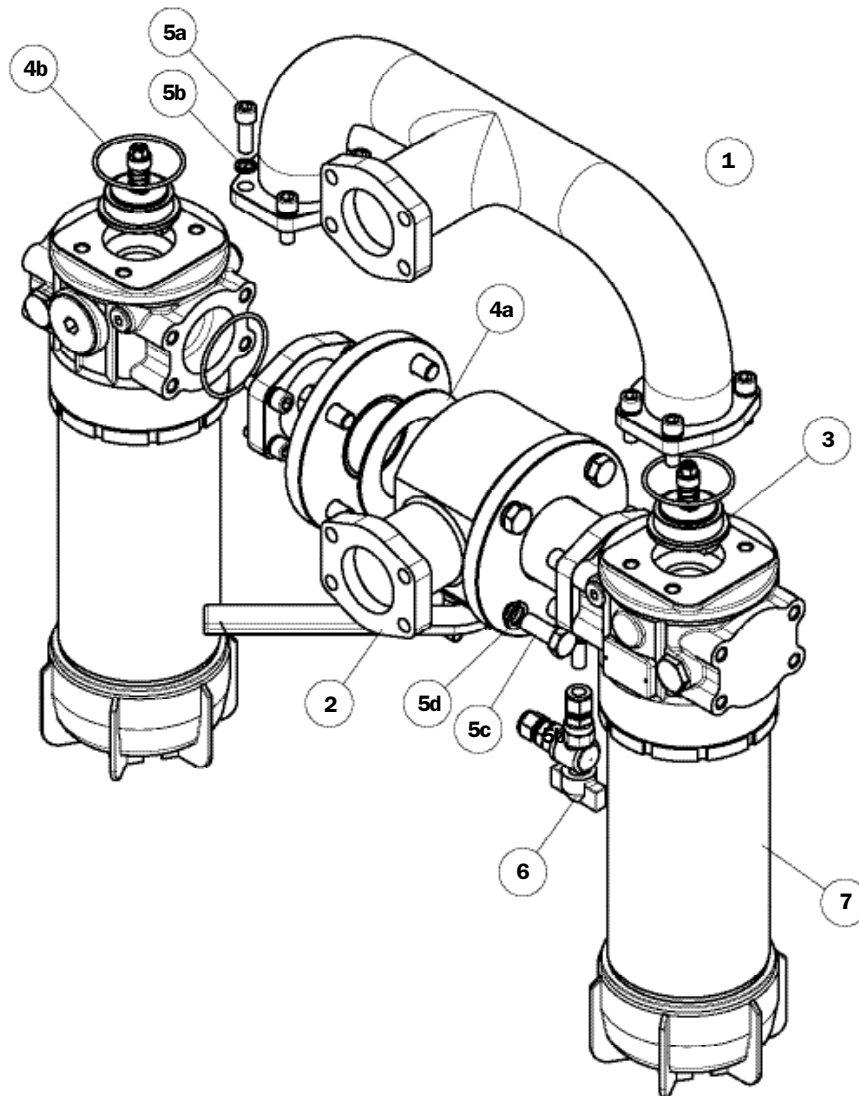


LMD 400 spare parts



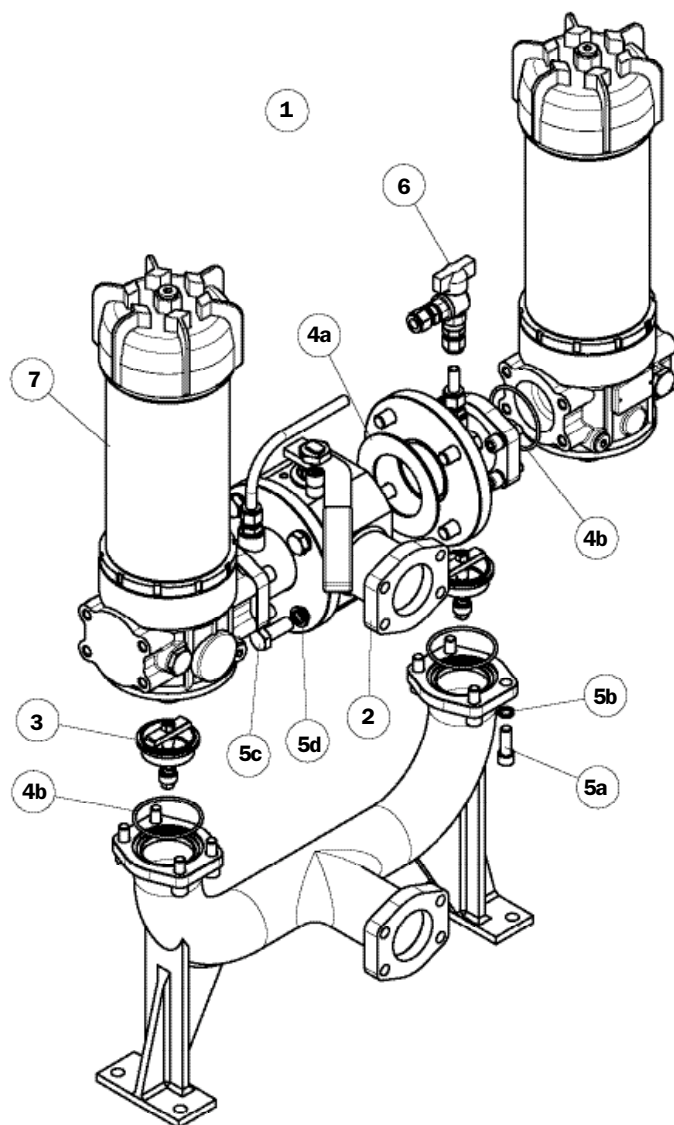
Pos.	Description	Qty	FILTER Series LMD 400
1	Filter assembly	1	See order table
2	3-way ball valve PN 16	1	2 1/2" SAE 3000 psi/M 02001440 2 1/2" SAE 3000 psi/UNC 02001441
3	One-way valve	2	02001429
4	Seals kit	1	02050399
4a	Flat seal	2	To DN 65
4b	IN-OUT O-Ring	4	O-R 4287
5	Threaded fasteners kit	1	02049062
5a	Allen screw	16	UNI 5931 - M12 x 35 - 10.9
5b	Circlips	16	UNI 1751-B 12
5c	Screw hexagon head	8	UNI EN 24017 - M16 x 40 - 10.9
5d	Circlips	8	UNI 1751-B 16
6	Kit ball valve with hose fitting	1	02025043
7	Filter	2	See order table LMP400xF2..... pag. 49
-	Indicators	2	See order table

LMD 401 spare parts



Pos.	Description	Qty	FILTER Series LMD 401
1	Filter assembly	1	See order table
2	3-way ball valve PN 16	1	2 1/2" SAE 3000 psi/M 02001440 2 1/2" SAE 3000 psi/UNC 02001441
3	One-way valve	2	02001429
4	Seals kit	1	02050399
4a	Flat seal	2	To DN 65
4b	IN-OUT O-Ring	4	O-R 4287
5	Mounting set accessories	1	02049062
5a	Allen screw	16	UNI 5931 - M12 x 35 - 10.9
5b	Circlips	16	UNI 1751-B 12
5c	Screw hexagon head	8	UNI EN 24017 - M16 x 40 - 10.9
5d	Circlips	8	UNI 1751-B 16
6	Kit ball valve with hose fitting	1	02025043
7	Filter	2	See order table LMP401xF2..... pag. 49
-	Indicators	2	See order table

LMD 431 spare parts



Pos.	Description	Qty	FILTER Series LMD 431
1	Filter assembly	1	See order table
2	3-way ball valve PN 16	1	2 1/2" SAE 3000 psi/M 02001440 2 1/2" SAE 3000 psi/UNC 02001441
3	One-way valve	2	02001429
4	Seals kit	1	02050399
4a	Flat seal	2	To DN 65
4b	IN-OUT O-Ring	4	O-R 4287
5	Threaded fasteners kit	1	02049062
5a	Allen screw	16	UNI 5931 - M12 x 35 - 10.9
5b	Circlips	16	UNI 1751-B 12
5c	Screw hexagon head	8	UNI EN 24017 - M16 x 40 - 10.9
5d	Circlips	8	UNI 1751-B 16
6	Kit ball valve with hose fitting	1	02025043
7	Filter	2	See order table LMP431xF2..... pag. 49
-	Indicators	2	See order table

LMD400/401/431 ordering information

Filter assembly

LMD

	1	2	3	4	5	6	7	8 a
	<input type="checkbox"/>	<input type="checkbox"/>	<input type="checkbox"/>	<input type="checkbox"/>	<input type="checkbox"/>	<input type="checkbox"/>	<input type="checkbox"/>	<input type="checkbox"/>
Example: LMD	400	5	B	V	F1	A10	N	P01

Filter Element

CU 400

	2	6	4	7	8 b
	<input type="checkbox"/>	<input type="checkbox"/>	<input type="checkbox"/>	<input type="checkbox"/>	<input type="checkbox"/>
Example: CU400	5	A10	A	N	P01

1 - Sizes

400
401
431

2 - Filter length

4	LMD 431 excluded
5	
6	

3 - Valves

S	Without by-pass
B	With by-pass

4 - Seals

a - Filter

V	FPM
---	-----

b - Filter elements

A	NBR
V	FPM (excluded series P10 and P25)

5 - Connections

Type

F1	2 1/2" SAE 3000 psi/M
F2	2 1/2" SAE 3000 psi/UNC
F3	= F1 In-line connections (only LMD 401 - 431)
F4	= F2 In-line connections (only LMD 401 - 431)

6 - Filter element

A03	3 µm	A16	16 µm	Absolute filtration Inorganic microfibre βx (c) ≥ 1000 see page 9
A06	6 µm	A25	25 µm	
A10	10 µm			
M25	25 µm	M90	90 µm	Nominal Filtration Metal mesh see page 9
M60	60 µm			
P10	10 µm			Nominal Filtration Cellulose see page 9
P25	25 µm			

7 - Filter elements series

N	Δp 20 bar
W	Δp 20 bar (aqueous emulsions - water and glycol, not available for series P10 - P25 filter elements)

8 - Options

a - Filter

P01	MP Standard filters
P02	Maintenance from base of housing (only for length 5 - 6 / excluded LMD 431)
P02	LMD 431 With internal tube for reduced flow rate
Pxx	Customer request

b - Filter elements

P01	MP Standard filters
Pxx	Customer request

DIFFERENTIAL INDICATORS (see page 12)

MP Filtri - The filter functions as described in this bulletin are valid exclusively for original MP Filtri filter elements and replacement parts. All rights reserved

The data in this publication are purely guideline. MP Filtri reserves the right to make changes to the models described herein at any time it deems fit in relation to technical or commercial requirements. The colours of the products shown on the cover are purely guideline. Copyright. All rights reserved.