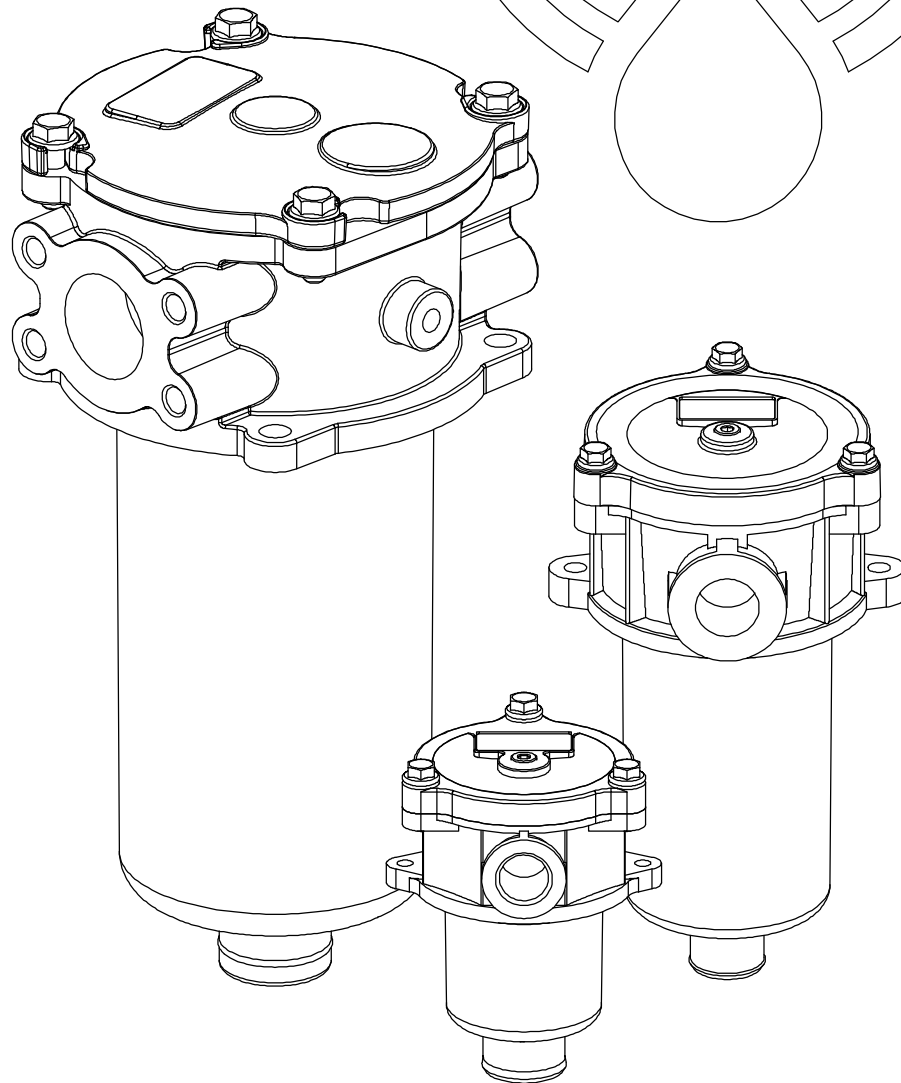


MPF SERIES RETURN FILTER

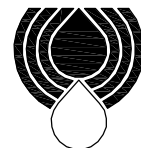


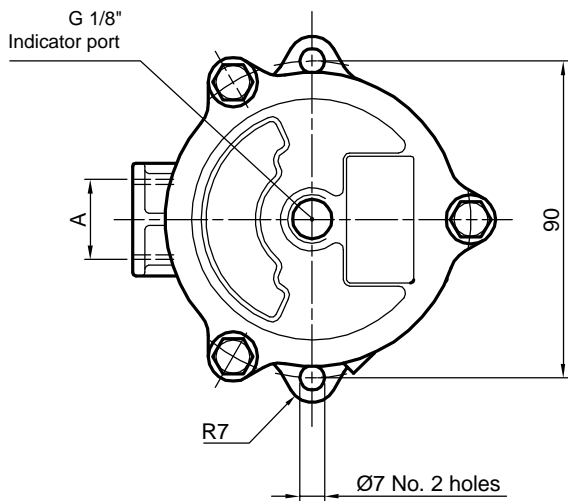
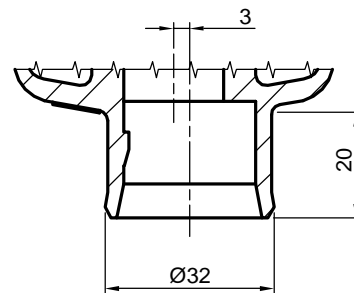
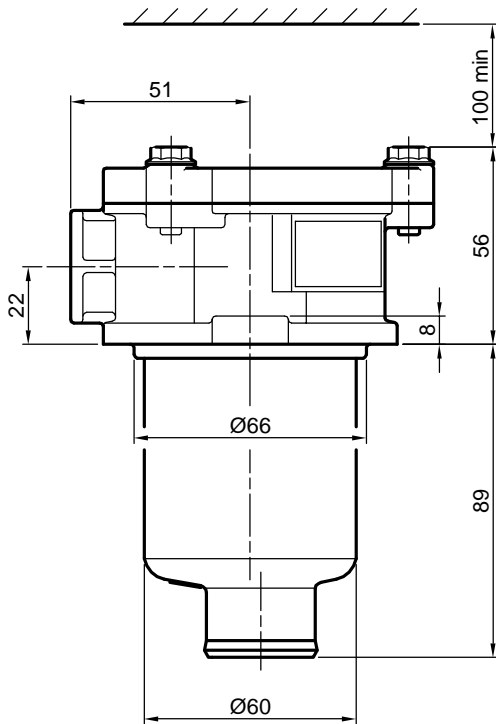
The series of filters **MPF** has specifically been designed for use on mobile applications, agricultural machinery and power units.

The **MPF** filter range is suitable for flow rates up to **750 l/min.**

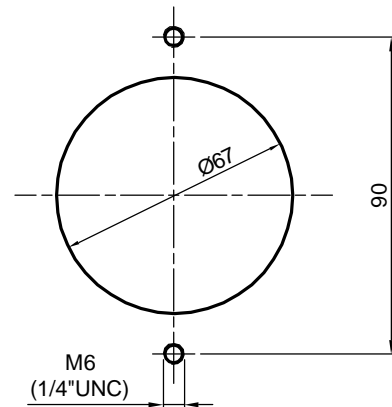
Max. Working pressure : **8 bar**

MPFILTRI
S.p.A.

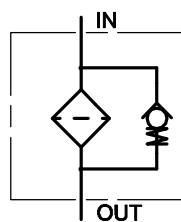




Holes on the tank

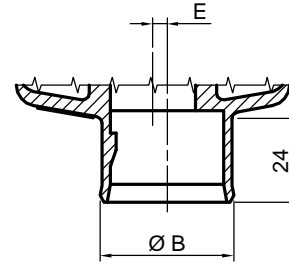
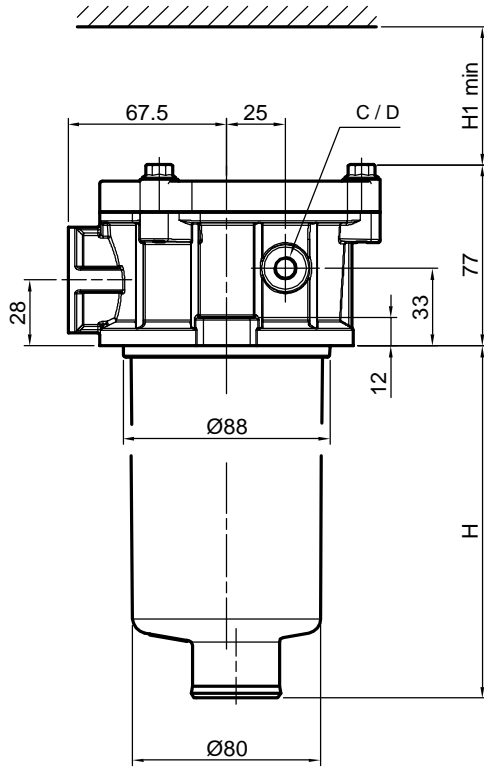


Symbol

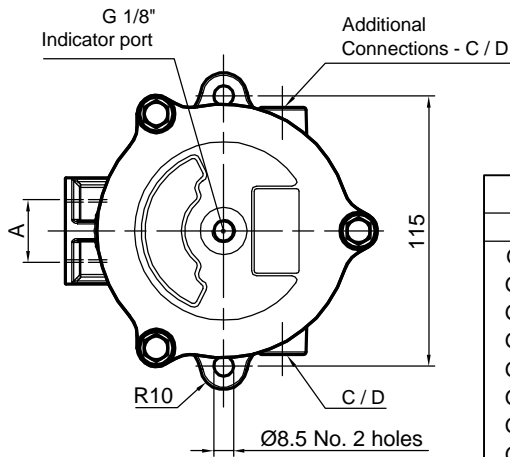
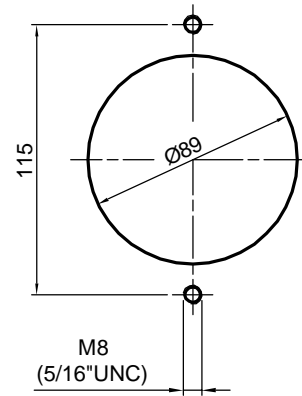


Thread connections

Type	A
G1	G 1/2"
G4	1/2" NPT
G7	SAE 8 - 3/4"-16 UNF



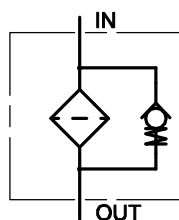
Holes on the tank



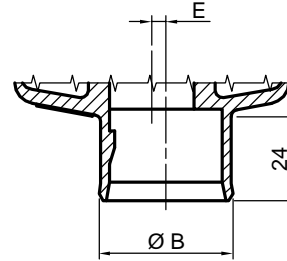
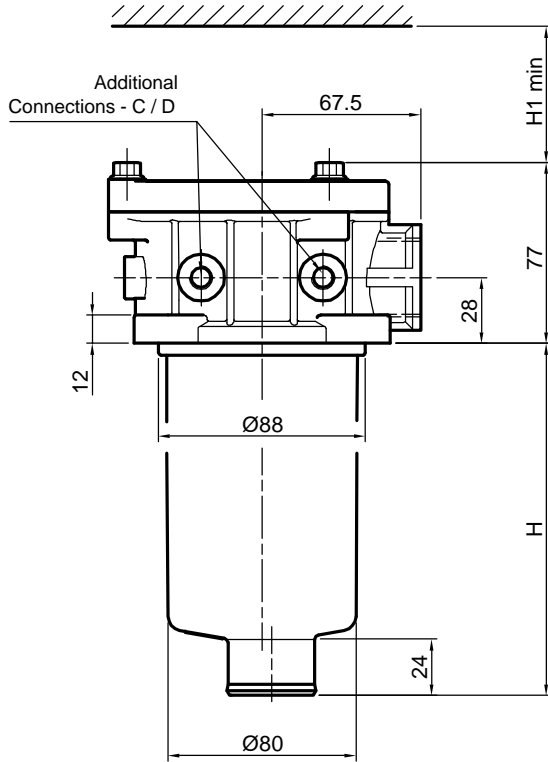
Thread connections					
Type			A	C	D
G1	C1	D1	G 1/2"	G 1/8"	G 1/4"
G2	C2	D2	G 3/4"	G 1/8"	G 1/4"
G3	C3	D3	G 1"	G 1/8"	G 1/4"
G4	C4	D4	1/2" NPT	1/8" NPT	1/4" NPT
G5	C5	D5	3/4" NPT	1/8" NPT	1/4" NPT
G6	C6	D6	1" NPT	1/8" NPT	1/4" NPT
G7	C7	D7	SAE 8 - 3/4" - 16 UNF	1/8" NPT	1/4" NPT
G8	C8	D8	SAE 12 - 1 1/16" -12 UN	1/8" NPT	1/4" NPT
G9	C9	D9	SAE 16 - 1 5/16" -12 UN	1/8" NPT	1/4" NPT

With additional connections type " D "
 With additional connections type " C "

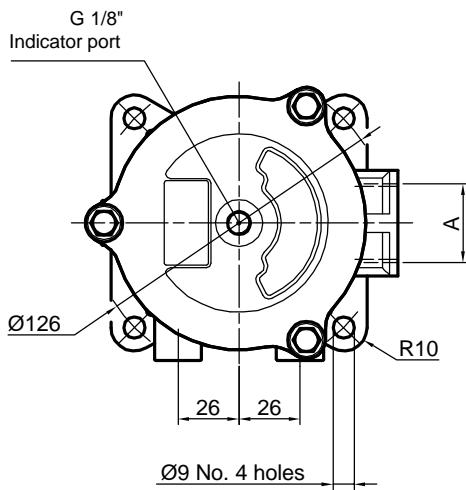
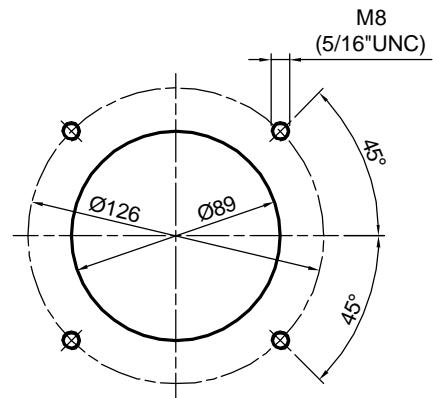
Symbol



Lengths				
Type	H	H1	Ø B	E
1	103	120	38	4
2	150	170	38	4
3	228	250	46.5	2.5
4	330	350	46.5	2.5



Holes on the tank

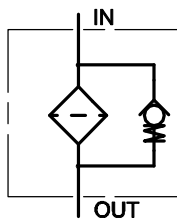


Thread connections					
Type			A	C	D
G1	C1	D1	G 1/2"	G 1/8"	G 1/4"
G2	C2	D2	G 3/4"	G 1/8"	G 1/4"
G3	C3	D3	G 1"	G 1/8"	G 1/4"
G4	C4	D4	1/2" NPT	1/8" NPT	1/4" NPT
G5	C5	D5	3/4" NPT	1/8" NPT	1/4" NPT
G6	C6	D6	1" NPT	1/8" NPT	1/4" NPT
G7	C7	D7	SAE 8 - 3/4" - 16 UNF	1/8" NPT	1/4" NPT
G8	C8	D8	SAE 12 - 1 1/16" -12 UN	1/8" NPT	1/4" NPT
G9	C9	D9	SAE 16 - 1 5/16" -12 UN	1/8" NPT	1/4" NPT

With additional connections type " D "

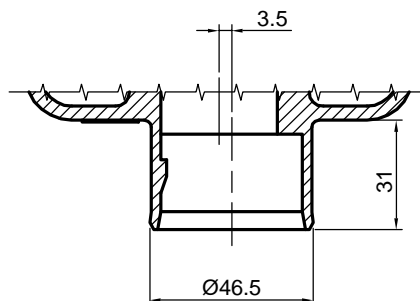
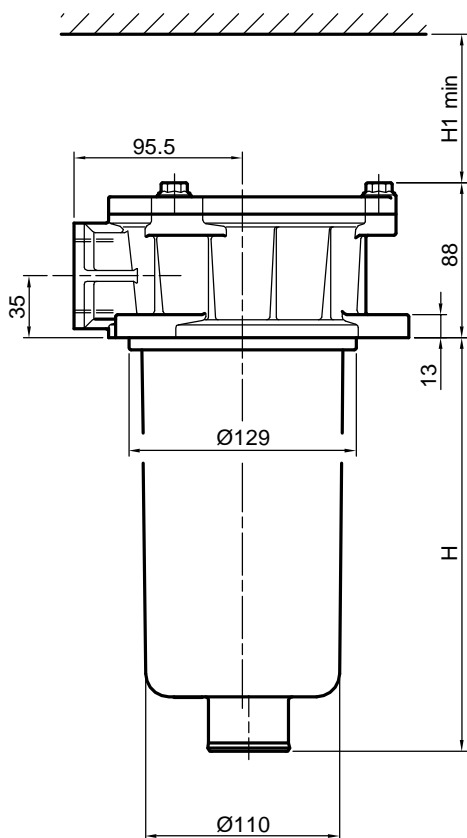
With additional connections type " C "

Symbol

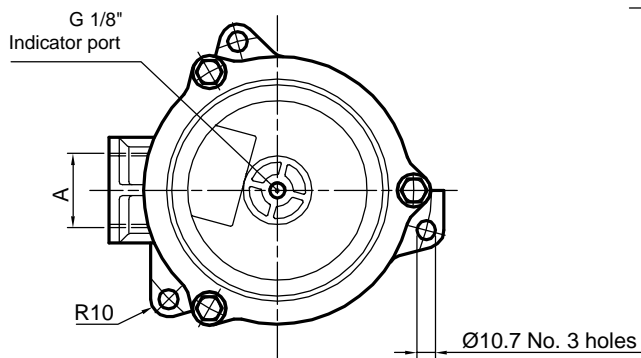
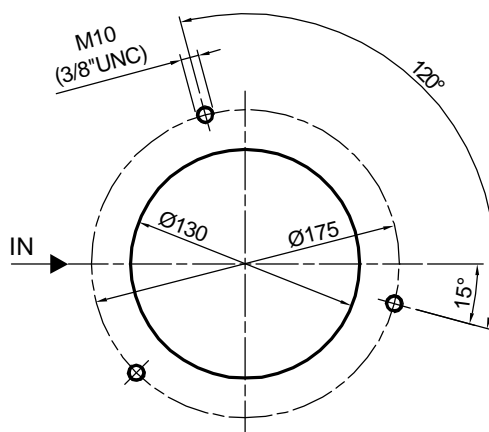


Lengths

Type	H	H1	Ø B	E
1	103	120	38	4
2	150	170	38	4
3	228	250	46.5	2.5
4	330	350	46.5	2.5

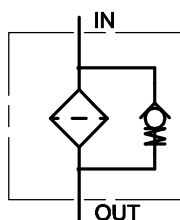


Holes on the tank

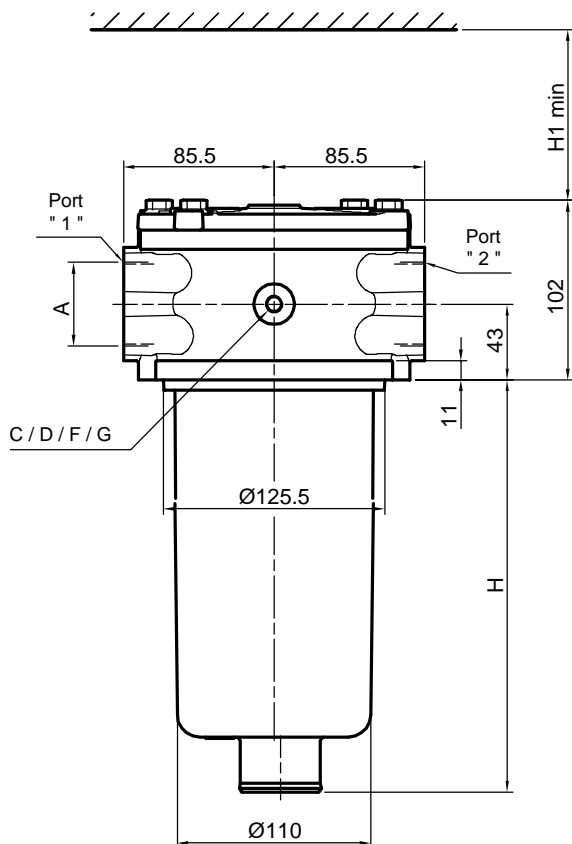


Thread connections	
Type	A
G1	G 1-1/4"
G4	1-1/4" NPT
G7	SAE 20 - 1-5/8" - 12 UN

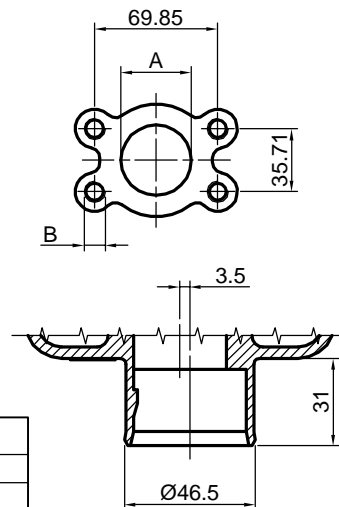
Symbol



Lengths		
Type	H	H1
1	235	250
2	444	460

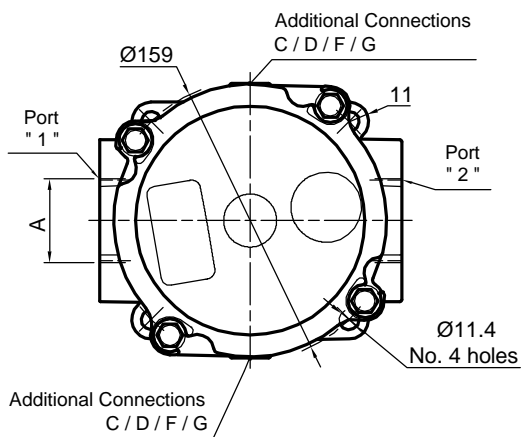
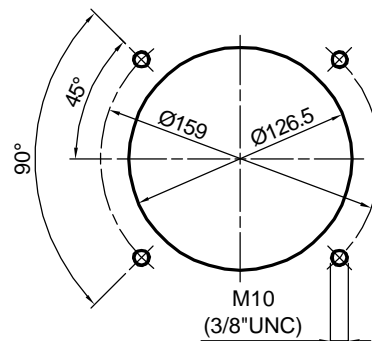


Flange connections



Lengths		
Type	H	H1
1	232	250
2	441	460

Holes on the tank

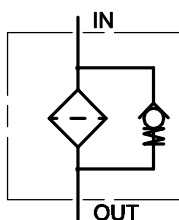


Thread connections				
Type	A	G	D	
G1	D1	G 1 1/4"	G 1/8"	G 1/4"
G2	D2	2 ports G 1 1/4"	G 1/8"	G 1/4"
G4	D4	1 1/4" NPT	1/8" NPT	1/4" NPT
G5	D5	2 ports 1 1/4" NPT	1/8" NPT	1/4" NPT
G7	D7	SAE 20 - 1 5/8" - 12 UN	1/8" NPT	1/4" NPT
G8	D8	2 ports SAE 20 - 1 5/8" - 12 UN	1/8" NPT	1/4" NPT

With additional connections type " D "

With additional connections type " G "

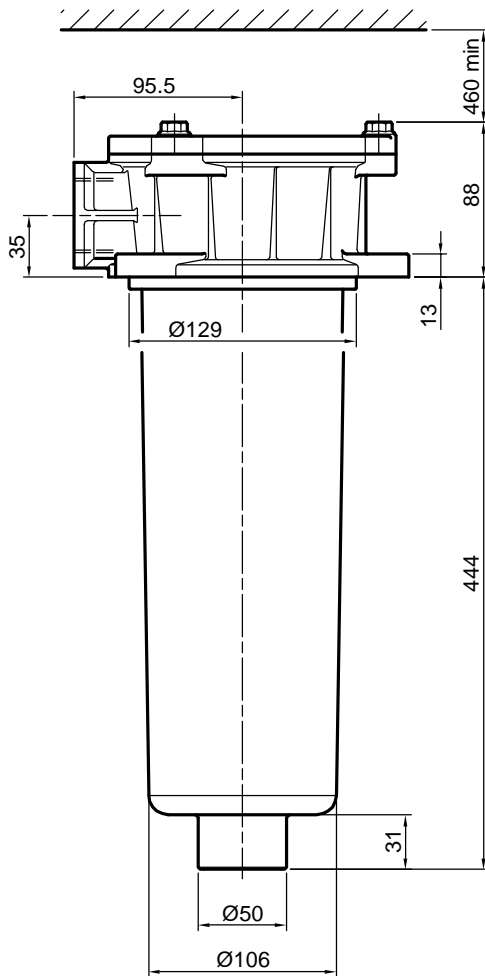
Symbol



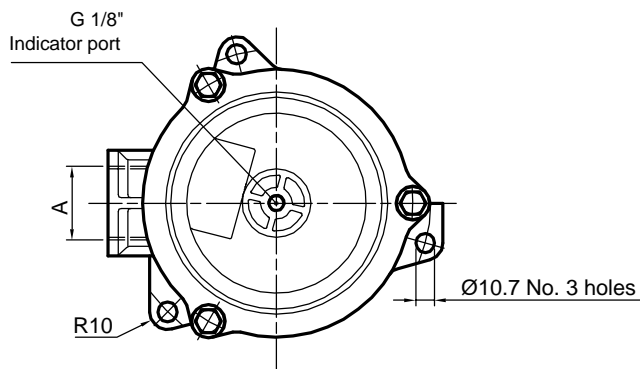
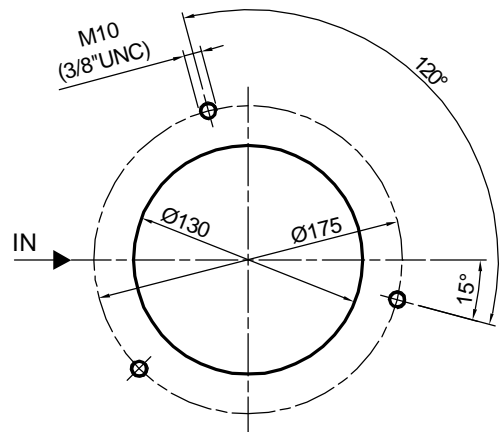
Flange connections					
Type	A	B	F	C	
F1	C1	1 1/2" SAE - 3000 PSI/M	M 12	G 1/8"	G 1/4"
F2	C2	1 1/2" SAE - 3000 PSI/UNC	1/2" UNC	1/8" NPT	1/4" NPT
F3	C4	2 ports 1 1/2" SAE - 3000 PSI/M	M 12	G 1/8"	G 1/4"
F4	C5	2 ports 1 1/2" SAE-3000 PSI/UNC	1/2" UNC	1/8" NPT	1/4" NPT

With additional connections type " C "

With additional connections type " F "

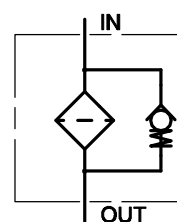


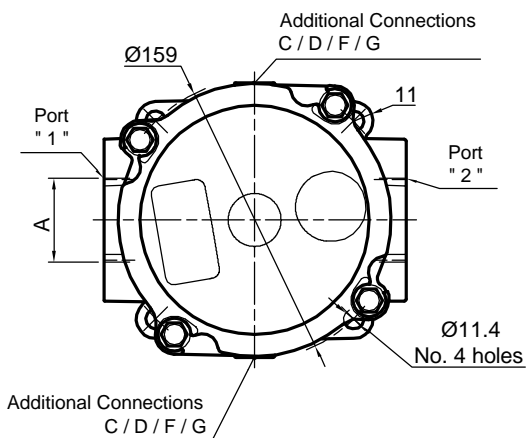
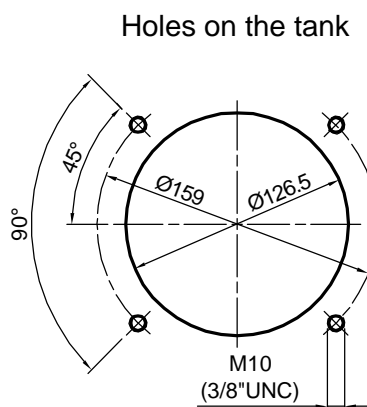
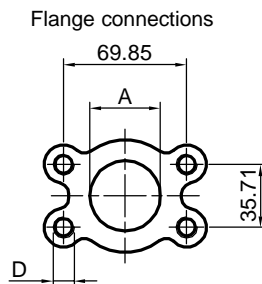
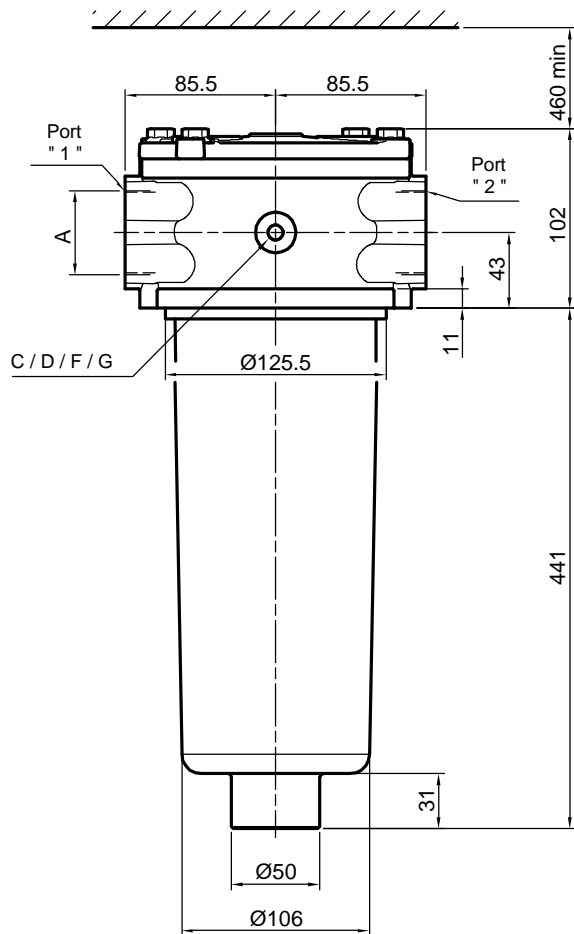
Holes on the tank



Thread connections	
Type	A
G1	G 1-1/4"
G4	1-1/4" NPT
G7	SAE 20 - 1-5/8" - 12 UN

Symbol



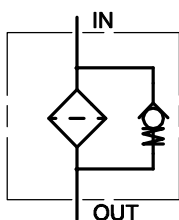


Thread connections				
Type		A	G	D
G1	D1	G 1 1/4"	G 1/8"	G 1/4"
G2	D2	2 ports G 1 1/4"	G 1/8"	G 1/4"
G4	D4	1 1/4" NPT	1/8" NPT	1/4" NPT
G5	D5	2 ports 1 1/4" NPT	1/8" NPT	1/4" NPT
G7	D7	SAE 20 - 1 5/8" - 12 UN	1/8" NPT	1/4" NPT
G8	D8	2 ports SAE 20 - 1 5/8" - 12 UN	1/8" NPT	1/4" NPT

With additional connections type " D "

With additional connections type " G "

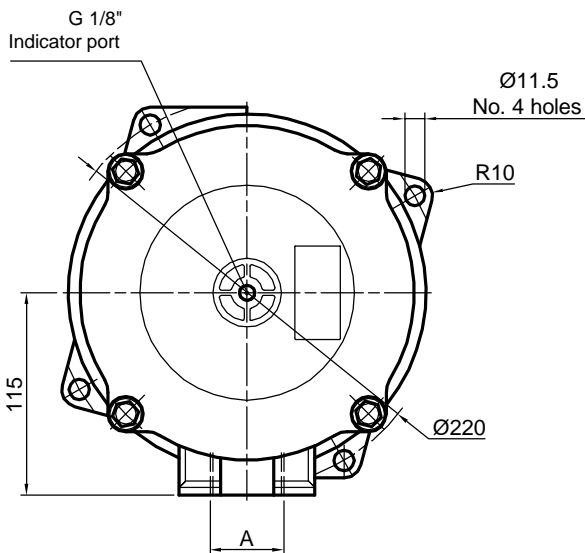
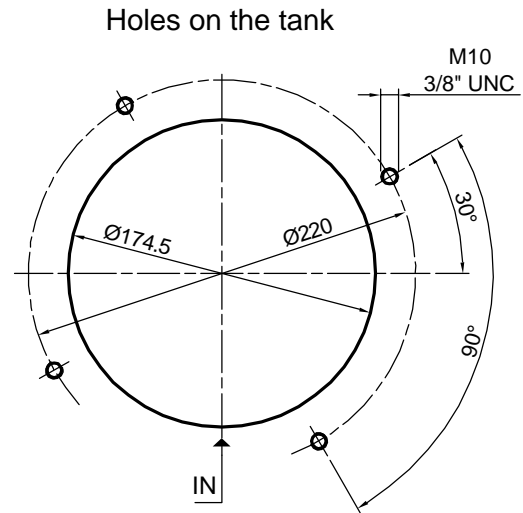
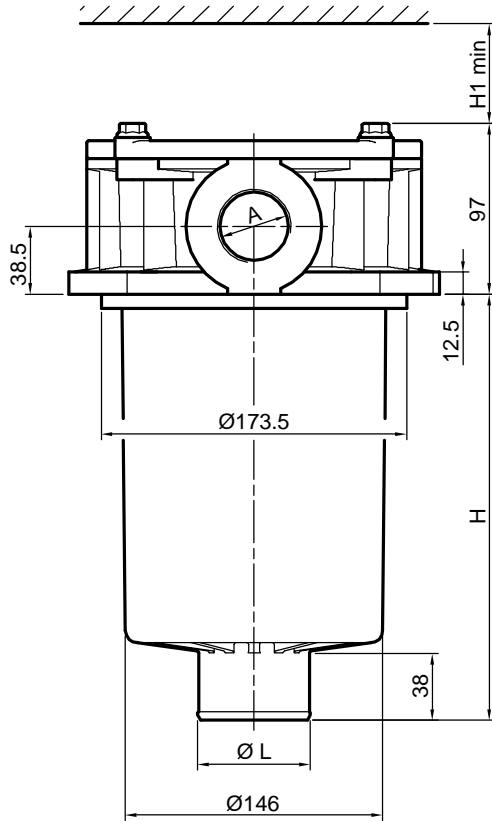
Symbol



Flange connections					
Type		A	B	F	C
F1	C1	1 1/2" SAE - 3000 PSI/M	M 12	G 1/8"	G 1/4"
F2	C2	1 1/2" SAE - 3000 PSI/UNC	1/2" UNC	1/8" NPT	1/4" NPT
F3	C4	2 ports 1 1/2" SAE - 3000 PSI/M	M 12	G 1/8"	G 1/4"
F4	C5	2 ports 1 1/2" SAE-3000 PSI/UNC	1/2" UNC	1/8" NPT	1/4" NPT

With additional connections type " C "

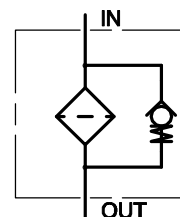
With additional connections type " F "

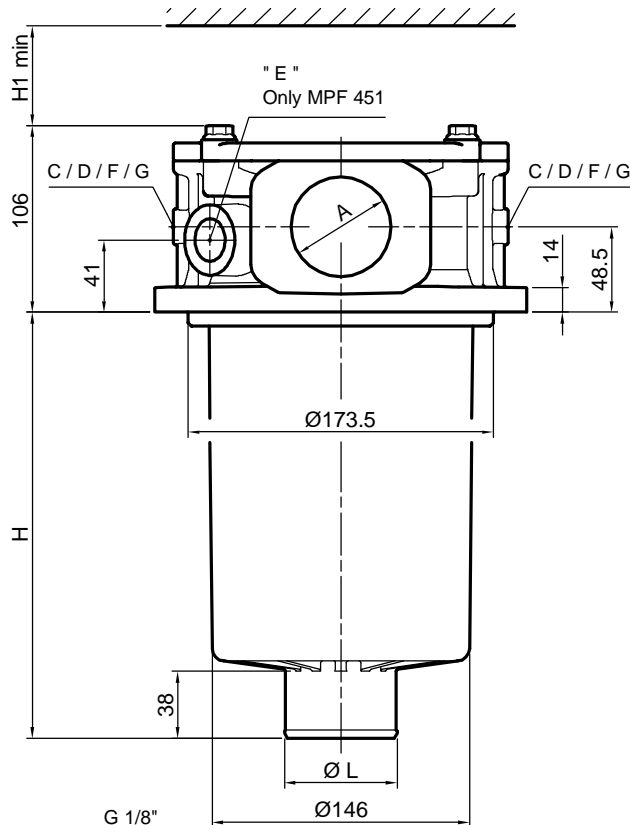


Thread connections	
Type	A
G1	G 1 1/4"
G2	G 1 1/2"
G3	G 2"
G4	1 1/4" NPT
G5	1 1/2" NPT
G6	2" NPT
G7	SAE 20 - 1 5/8" - 12 UN
G8	SAE 24 - 1 7/8" - 12 UN
G9	SAE 32 - 2 1/2" - 12 UN

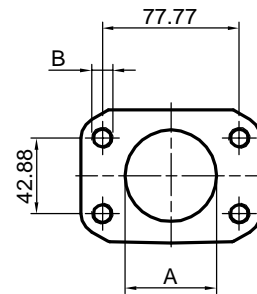
Flange connections			
Type	H	H1	Ø L
1	180	200	51
2	240	250	64
3	290	310	64

Symbol

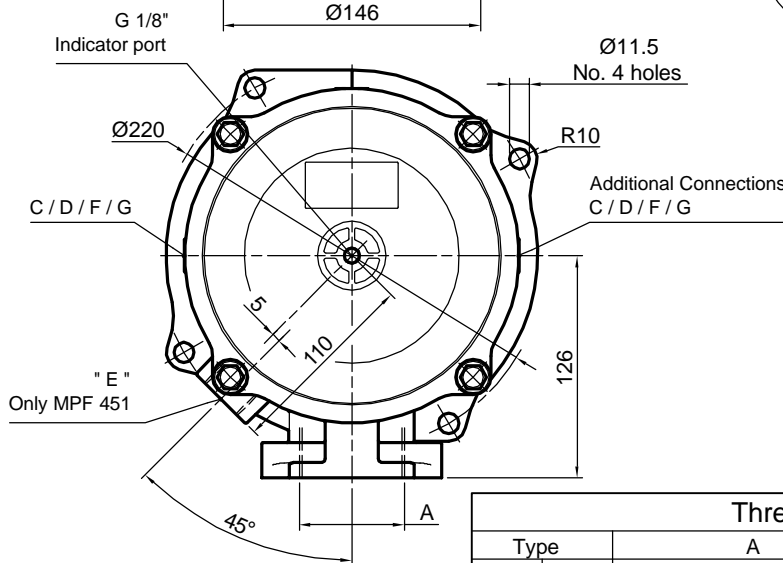
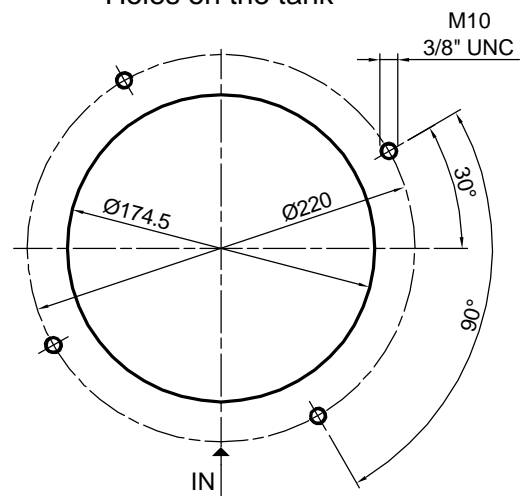




Flange connections



Holes on the tank



Lengths			
Type	H	H1	Ø L
1	180	200	51
2	240	250	64
3	290	310	64

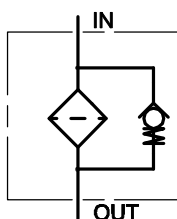
Thread connections					
Type		A	G	D	E*
G1	D1	G 2"	G 1/8"	G 1/4"	G 3/4"
G4	D4	2" NPT	1/8" NPT	1/4" NPT	3/4" NPT
G7	D7	SAE 32 - 2 1/2" - 12 UN	1/8" NPT	1/4" NPT	SAE 12

* Only MPF451

With additional connections type " D "

With additional connections type " G "

Symbol

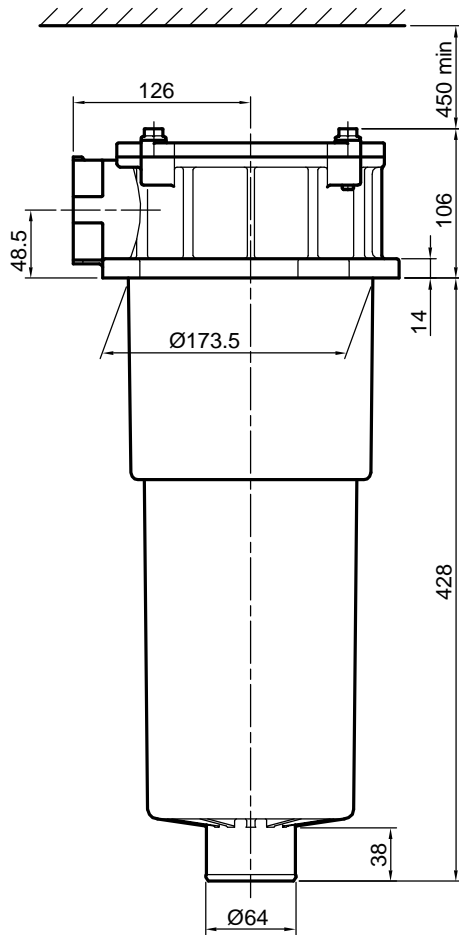


Flange connections						
Type		A	B	F	C	E*
F1	C1	2" SAE - 3000 PSI/M	M12	G 1/8"	G 1/4"	G 3/4"
F2	C2	2" SAE - 3000 PSI/UNC	1/2" UNC	1/8" NPT	1/4" NPT	3/4" NPT

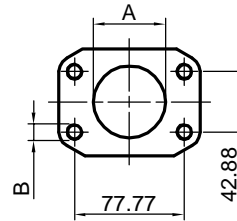
* Only MPF451

With additional connections type " C "

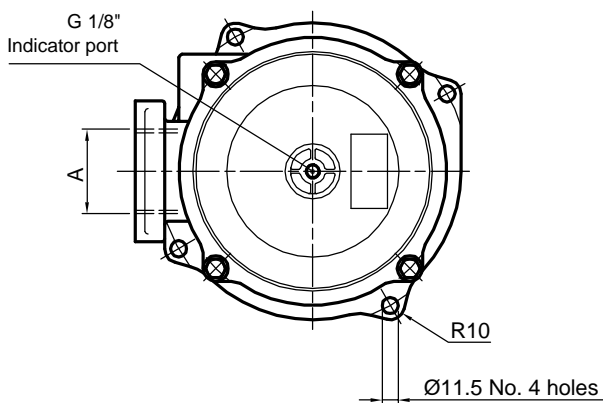
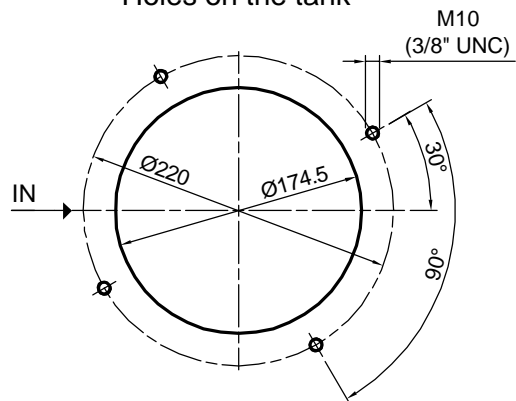
With additional connections type " F "



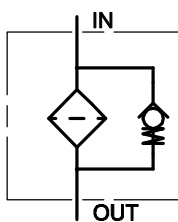
Flange connections



Holes on the tank



Symbol

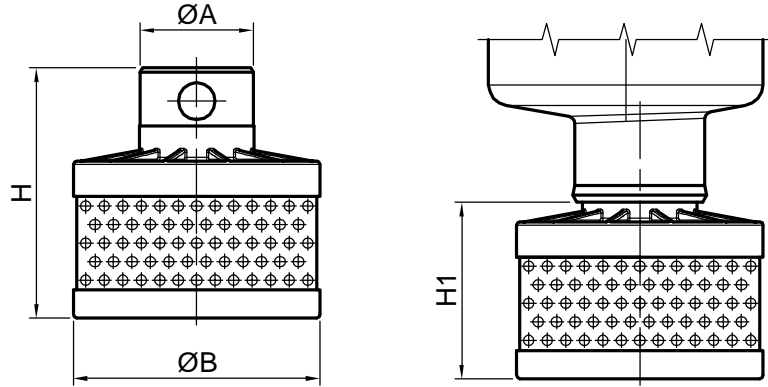


Thread connections

Type	A
G1	G 2"
G4	2" NPT
G7	SAE 32 - 2 1/2" - 12 UN

Flange connections

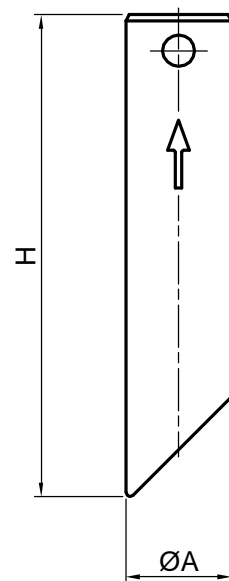
Type	A	B
F1	2" SAE - 3000 PSI/M	M12
F2	2" SAE - 3000 PSI/UNC	1/2" UNC

Diffuser with fast lock


Code	Ø A	Ø B	H	H1	Size MPF (Option P01)	Length
DFS 32 A 0 7 5	32	70	75	50	100 - 104	1 - 2
DFS 40 A 0 7 5	40	70	75	50	100 - 104	3 - 4
					180 - 184	1 - 2

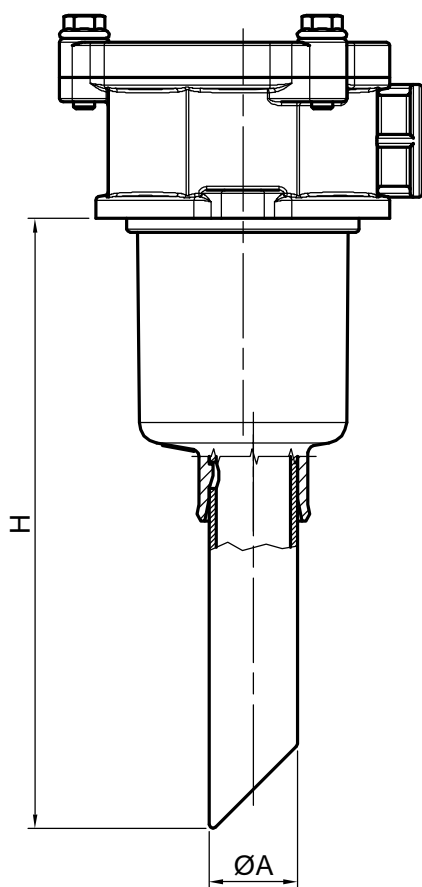
**Standard Nylon Extension Tube
 Supplied not assembled**

Code	H	Ø A	Size MPF (Option P01)	Length
TE25A300	300	25	030	1
TE32A300	300	32	100 - 104	1 - 2
TE32A500	500			
TE40A200	200	40	100 - 104	3 - 4
TE40A250	250			
TE40A300	300			
TE40A350	350			
TE40A400	400			
TE40A450	450	180 - 184	1 - 2	
TE40A500	500			



" H " Dimensions

Filter assembled with Standard Nylon Extension Tube

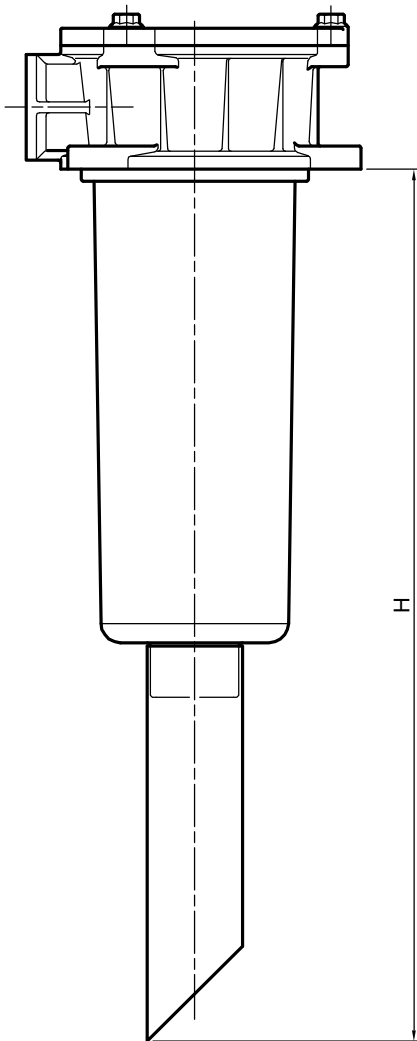


Tube Extension Code	MPF..... P01	Length	H	Ø A
TE25A300	030	1	365	25
TE32A300	100 o 104	1	376	32
	100 o 104	2	423	32
TE32A500	100 o 104	1	576	32
	100 o 104	2	623	32
TE40A200	100 o 104	3	400	40
	100 o 104	4	500	40
	180	1	406	40
	180	2	617	40
	184	1	403	40
TE40A250	184	2	614	40
	100 o 104	3	450	40
	100 o 104	4	550	40
	180	1	456	40
	180	2	667	40
TE40A300	184	1	453	40
	184	2	664	40
	100 o 104	3	500	40
	100 o 104	4	600	40
	180	1	506	40
TE40A350	180	2	717	40
	184	1	503	40
	184	2	714	40
	100 o 104	3	550	40
	100 o 104	4	650	40
TE40A400	180	1	556	40
	180	2	767	40
	184	1	553	40
	184	2	764	40
	100 o 104	3	600	40
TE40A450	100 o 104	4	700	40
	180	1	606	40
	180	2	817	40
	184	1	603	40
	184	2	814	40
TE40A500	100 o 104	3	650	40
	100 o 104	4	750	40
	180	1	656	40
	180	2	867	40
	184	1	653	40
TE40A500	184	2	864	40
	100 o 104	3	700	40
	100 o 104	4	800	40
	180	1	706	40
	180	2	917	40
TE40A500	184	1	703	40
	184	2	914	40

Option 9

Filter **MPF.....Sxx**

Filter assembly with Steel Extension Tube mounted
 (For filter sizes 190 to 750 only)



MPF Series	Length
190-194	2
400 - 450 - 451	1 - 2 - 3
750	1

Code (Option 9)	H *
S25	250 mm
S30	300 mm
S35	350 mm
S40	400 mm
S... mm

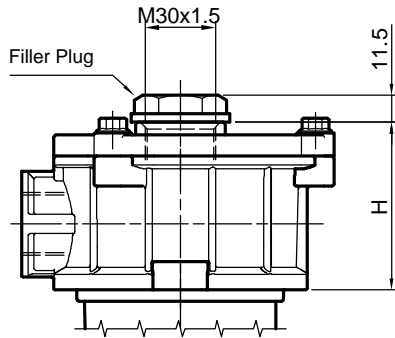
* Lengths are in multiple of 50 mm

Filter Code Example :

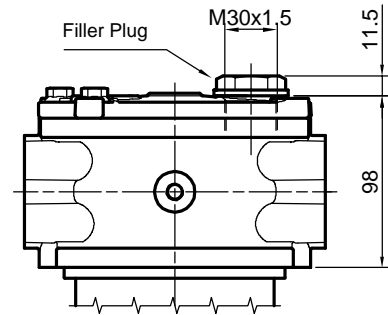
H length = 250 mm

MPF 400 1 x xx xxx x x **S25**

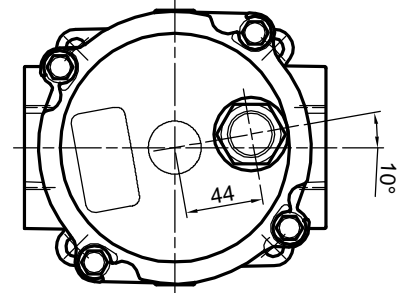
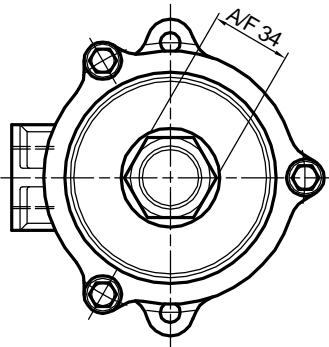
Filler Plug



MPF 184 - 194



Size MPF	H
030	66
100	72
104	72
180	80
190	80
400	86
450	106
451	106
750	95



Ordering example :
 Filter with Filler Plug (page codes 17)
 MPF 100 2 x **H3** xxx x..

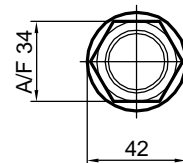
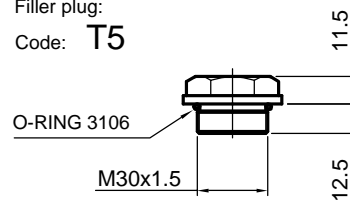
Please note:

The use of the version with plug of filling it excludes the possibility of employment of the indicator in the following size:
 030, 100, 104, 180, 190,
 400, 750

Exchange

Filler plug:

Code: **T5**





RETURN FILTER
MPF SERIES
Ordering information

Date: 11 / 2007
Page: 16 / 17
Brochure No.:
CTBMPFB1107UK

Filter assembly		1	2	3	4	5	6	8	9a
MPF		<input type="checkbox"/>	<input type="checkbox"/>	<input type="checkbox"/>	<input type="checkbox"/>	<input type="checkbox"/>	<input type="checkbox"/>	<input type="checkbox"/>	<input type="checkbox"/>
Example 1:	MPF	100	2	A	G3	A06	H	B	P01
Example 2:	MPF	190	2	V	G1	M25	N	E	S60
Filter Element		1	2	5	6	7	8	9b	
MF		<input type="checkbox"/>	<input type="checkbox"/>	<input type="checkbox"/>	<input type="checkbox"/>	<input type="checkbox"/>	<input type="checkbox"/>	<input type="checkbox"/>	
Example 1:	MF	100	2	A06	H	B		P01	
Example 2:	MF	190	2	M25	N	V	E	P01	

1 - Nominal size

Filter	Filter element
030	030
100, 104	100
180, 184	180
190, 194	190
400, 450, 451	400
750	750

2 - Lengths

Size	
030	1
100, 104	1, 2, 3, 4
180, 184	1, 2
190, 194	2
400, 450, 451	1, 2, 3
750	1

3 - Filter seals & Treatment

A	NBR
V	FPM
W	NBR, Head anodized
Z	FPM, Head anodized

5 - Filter Element

- N series

P10	Resin-impregnated paper
P25	" "
M25	Wire mesh
M60	" "
M90	" "

- H series

A03	Inorganic microfibre	3 µm
A06	"	6 µm
A10	"	10 µm
A16	"	16 µm
A25	"	25 µm

6 - Collapse pressure

N	Δp 10 bar (Only for Filter element type Pxx e Mxx)
H	Δp 10 bar (Only for Filter element type Axx)
W	Δp 10 bar compatible with fluid FHA, FHB, FHC (Only for Filter element type Axx e Mxx)

4 - Port options

For filter without filler plug
For filter with filler plug

Type	Type	MPF030	MPF 100 - 104	MPF 180 - 190	MPF 184 - 194	MPF 400	MPF 450 - 451	MPF750
G1	H1	G 1/2"	G 1/2"	G 1 1/4"	G 1 1/4"	G 1 1/4"	G 2"	G 2"
G2	H2	-	G 3/4"	-	G 1 1/4" 2 Attacchi	G 1 1/2"	-	-
G3	H3	-	G 1"	-	-	G 2"	-	-
G4	H4	1/2" NPT	1/2" NPT	1 1/4" NPT	1 1/4" NPT	1 1/4" NPT	2" NPT	2" NPT
G5	H5	-	3/4" NPT	-	1 1/4" NPT 2 Attacchi	1 1/2" NPT	-	-
G6	H6	-	1" NPT	-	-	2" NPT	-	-
G7	H7	SAE 8	SAE 8	SAE 20	SAE 20	SAE 20	SAE 32	SAE 32
G8	H8	-	SAE 12	-	SAE 20 2 Attacchi	SAE 24	-	-
G9	H9	-	SAE 16	-	SAE 16	SAE 32	-	-
F1	K1	-	-	-	1 1/2" SAE 3000 PSI/M	-	2" SAE 3000 PSI/M	2" SAE 3000 PSI/M
F2	K2	-	-	-	1 1/2" SAE 3000 PSI/UNC	-	2" SAE 3000 PSI/UNC	2" SAE 3000 PSI/UNC
F3	K3	-	-	-	2x1 1/2" SAE 3000 PSI/M	-	-	-
F4	K4	-	-	-	2x1 1/2" SAE 3000 PSI/UNC	-	-	-

7 - Filter Element seals

B	NBR
V	FPM

8 - Bypass valve

B	1.75 bar ±10% (Standard setting - Omit in the Element code)
E	3 bar ±10%

9 - Option

a) Filter

P01	MP Filtri standard
------------	--------------------

Sxx	Filter assembly with Steel extension tube mounted (Only for MPF190, 194, 400, 450, 451, 750)
------------	--

b) Filter Element

P01	MP Filtri standard
------------	--------------------

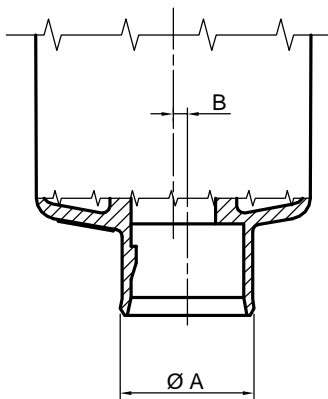
MP Filtri - Filtration products will only be guaranteed if original MP Filtri replacement elements and spares are used.

Data in this publication are guidelines only. MP Filtri reserves the right to make changes to models described herein at any time.
Copyright. All rights reserved.

Old vs New Bowl Dimensions

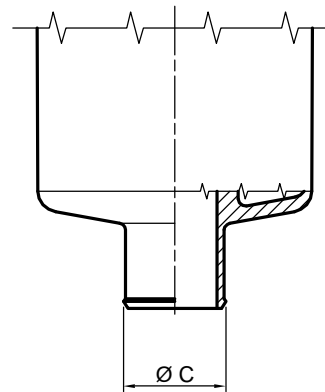
P01

New Version
 (Bowl for standard
 nylon extension tube)



R01

Old Version



MPF - Length	P01 New Standard		R01 Old
	Ø A	B	Ø C
100 - 1	38	4	29
100 - 2			29
100 - 3	46.5	2.5	40.5
100 - 4			-
104 - 1	38	4	29
104 - 2			29
104 - 3	46.5	2.5	40.5
104 - 4			-
180 - 1	46.5	3.5	40.5
180 - 2			-
184 - 1			40.5
184 - 2			-