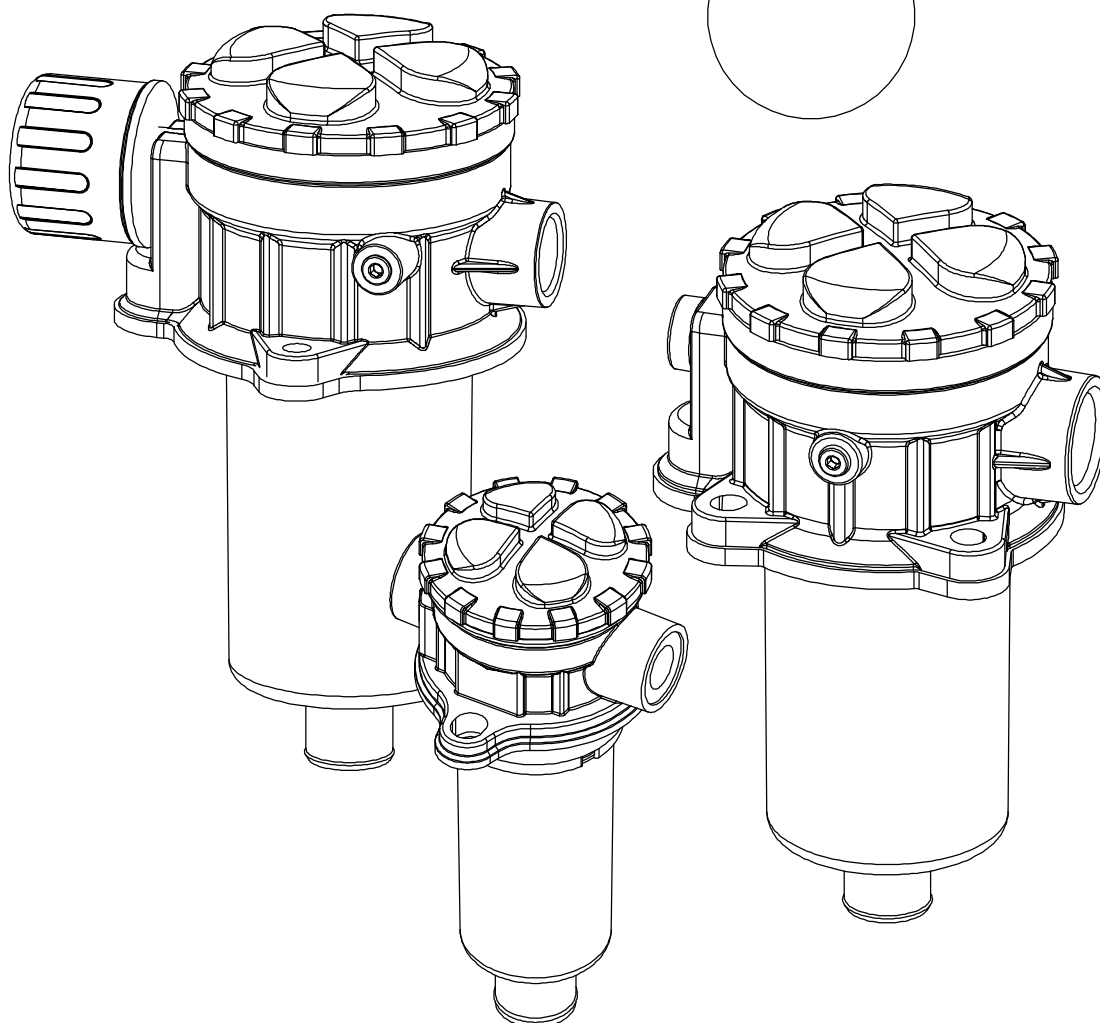


MPT SERIES RETURN FILTER



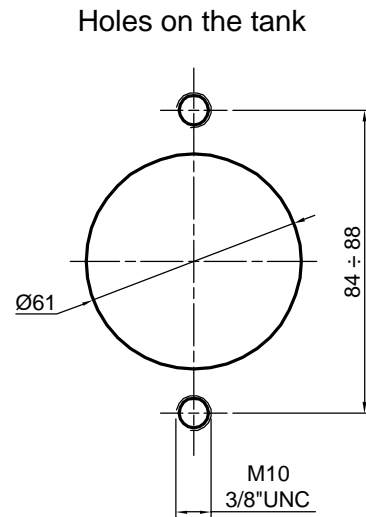
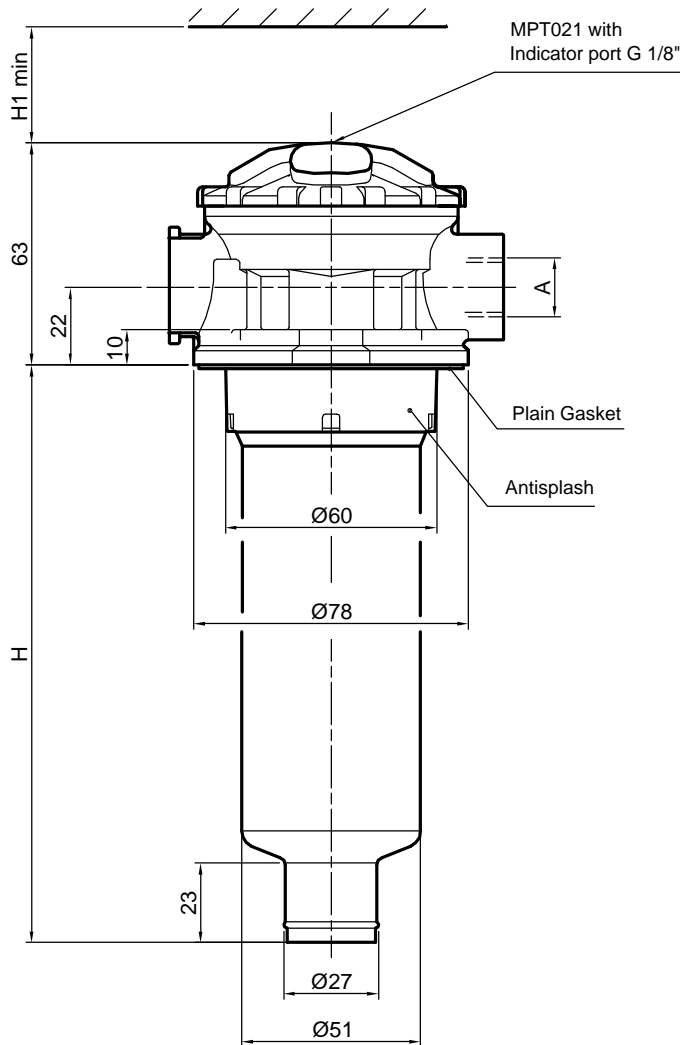
The series of filters **MPT** has specifically been designed for use on mobile power packs for industrial, mobil and lift truck applications.

The **MPT** filter range is suitable for flow rates up to **150 l/min.**

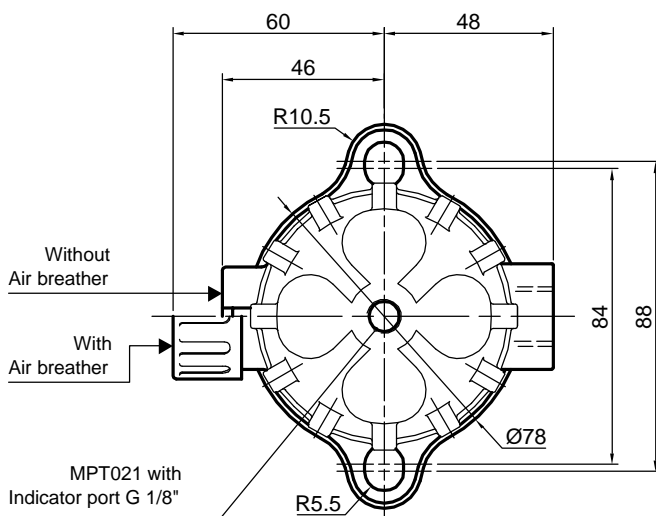
Max. Working pressure : **8 bar**

MP S.p.A. **FILTRI**



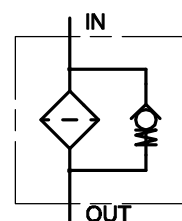


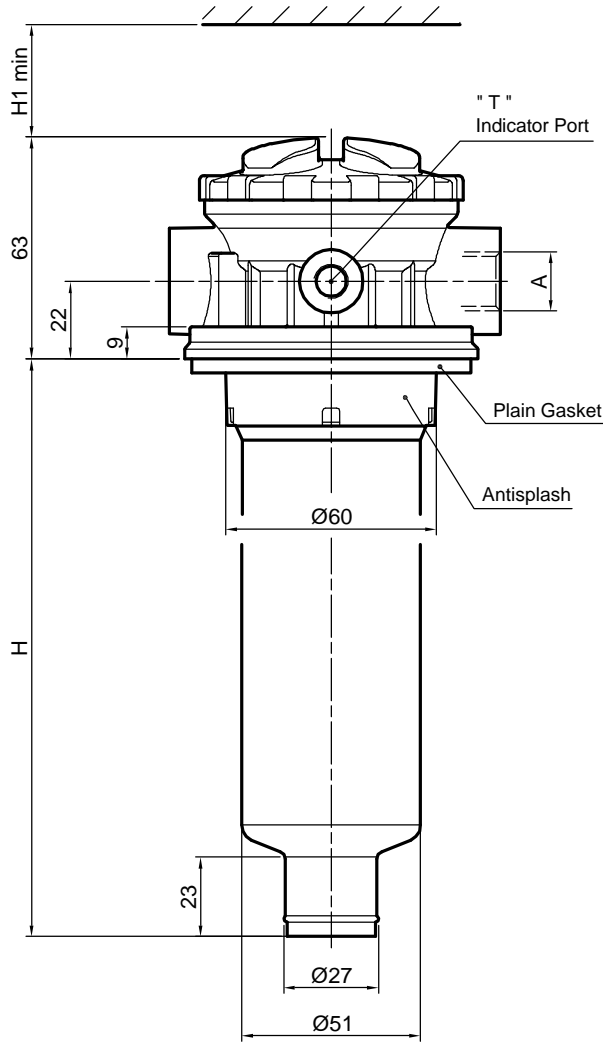
Lengths		
Tipo	H	H1
1	103	115
2	167	180
3	206	210



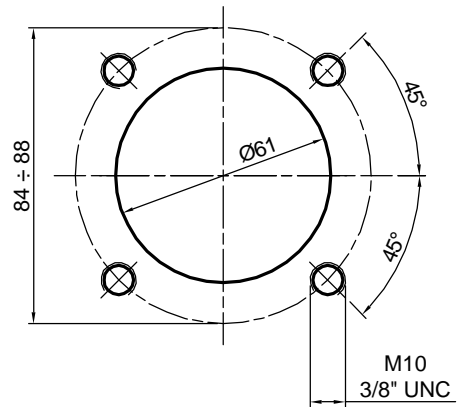
Thread connections	
Type	A
G1	G 3/8"
G2	G 1/2"
G3	G 3/4"
G4	3/8" NPT
G5	1/2" NPT
G6	3/4" NPT
G7	SAE 6 - 9/16"-18 UNF
G8	SAE 8 - 3/4" -16 UNF
G9	SAE 12 - 1 1/16"-12 UN

Symbol

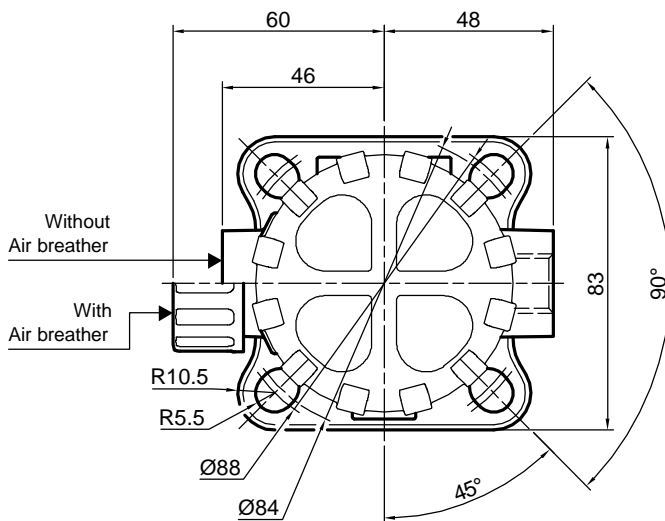




Holes on the tank

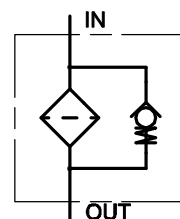


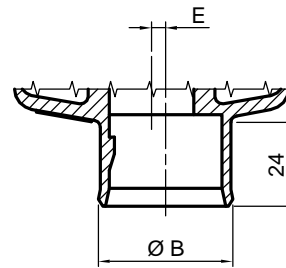
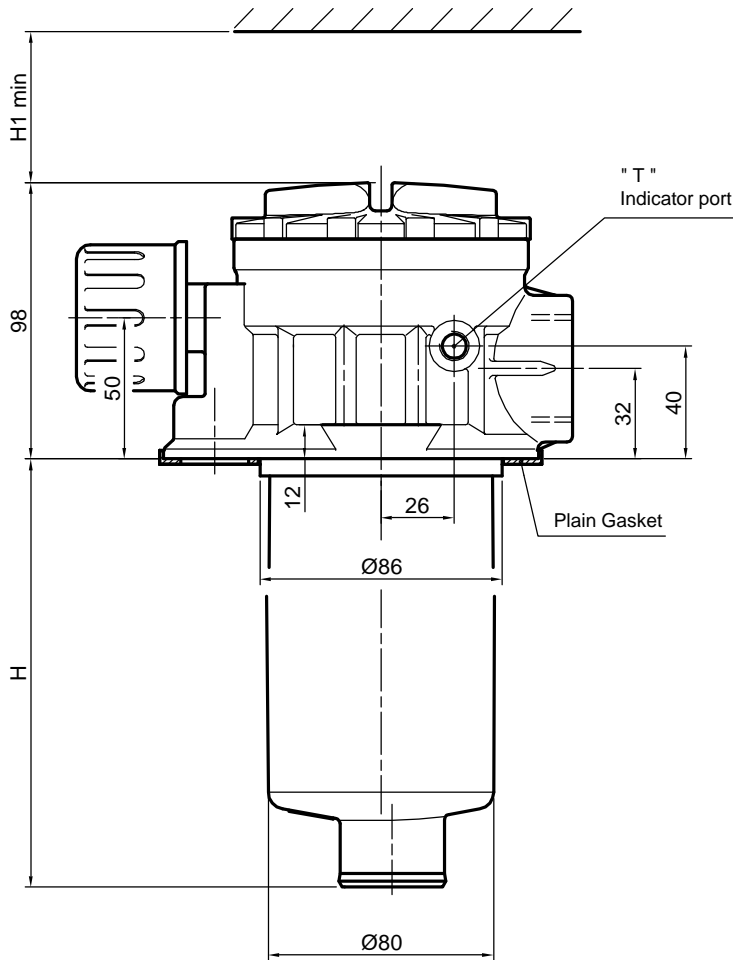
Lengths		
Tipo	H	H1
1	103	115
2	167	180
3	206	210



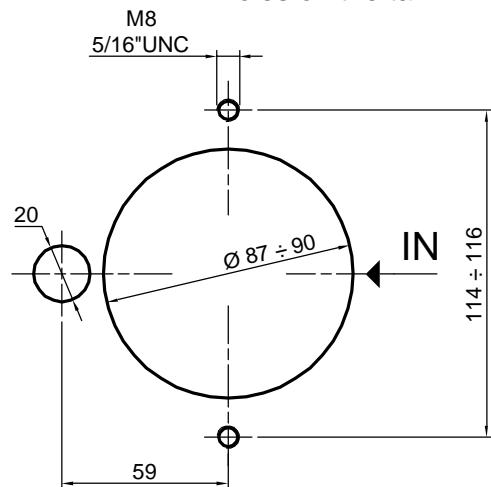
Thread connections		
Tipo	A	T
G1	G 3/8"	G 1/8"
G2	G 1/2"	G 1/8"
G3	G 3/4"	G 1/8"
G4	3/8" NPT	1/8" NPT
G5	1/2" NPT	1/8" NPT
G6	3/4" NPT	1/8" NPT
G7	SAE 6 - 9/16"-18 UNF	1/8" NPT
G8	SAE 8 - 3/4" -16 UNF	1/8" NPT
G9	SAE 12 - 1 1/16"-12 UN	1/8" NPT

Symbol

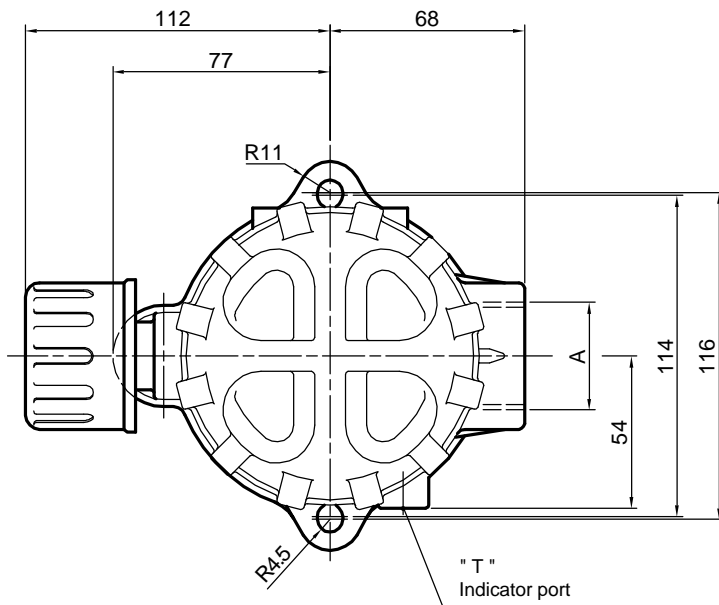




Holes on the tank

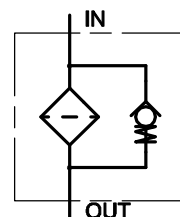


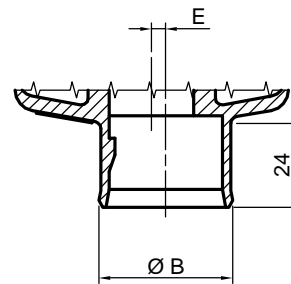
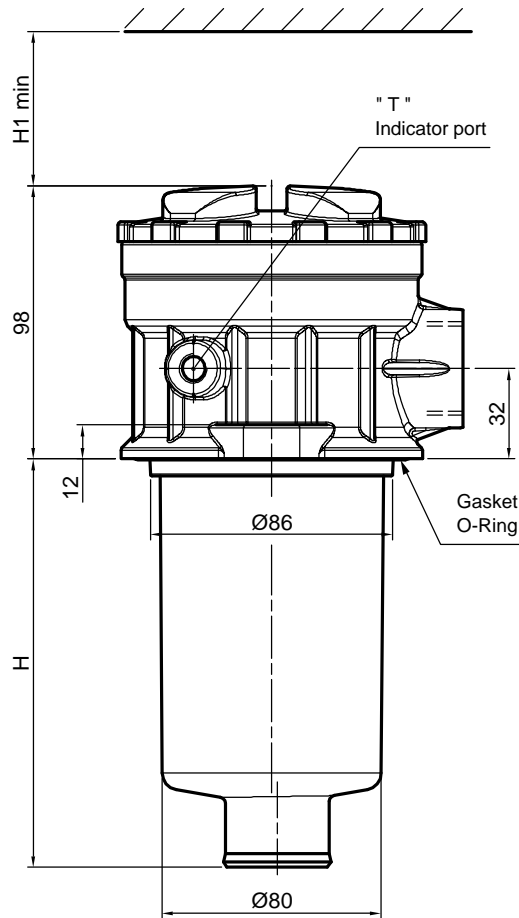
Lengths				
Type	H	H1	Ø B	E
1	101	120	38	4
2	148	170	38	4
3	226	250	46.5	2.5
4	328	350	46.5	2.5



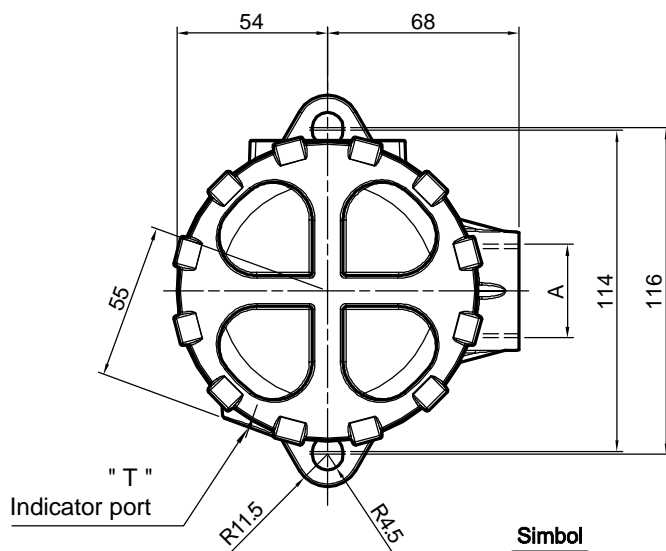
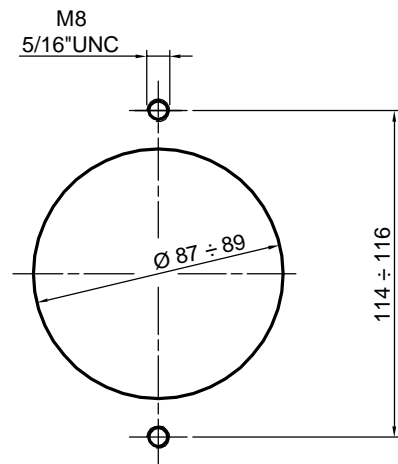
Thread connections		
Type	A	T
G1	G 3/4"	G 1/8"
G2	G 1"	G 1/8"
G3	G 1 1/4"	G 1/8"
G4	3/4" NPT	1/8" NPT
G5	1" NPT	1/8" NPT
G6	1 1/4" NPT	1/8" NPT
G7	SAE 12 - 1 1/16" -12 UN	1/8" NPT
G8	SAE 16 - 1 5/16" -12 UN	1/8" NPT
G9	SAE 20 - 1 5/8" - 12 UN	1/8" NPT

Symbol





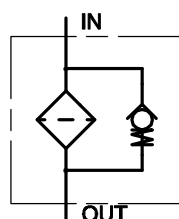
Holes on the tank

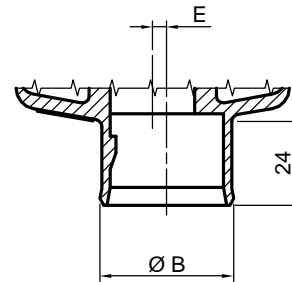
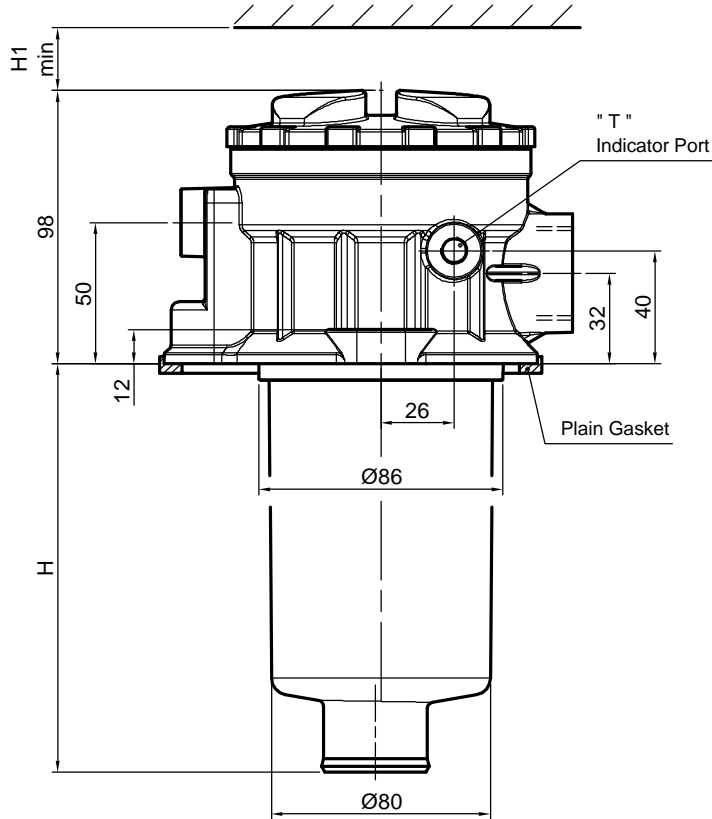


Lengths				
Tipo	H	H1	Ø B	E
1	101	120	38	4
2	148	170	38	4
3	226	250	46.5	2.5
4	328	350	46.5	2.5

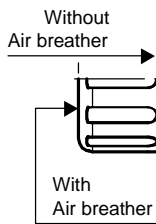
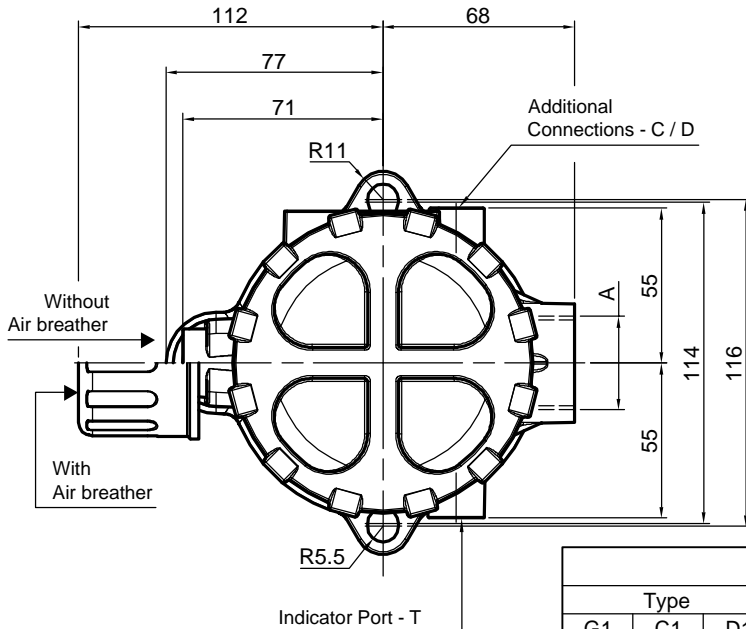
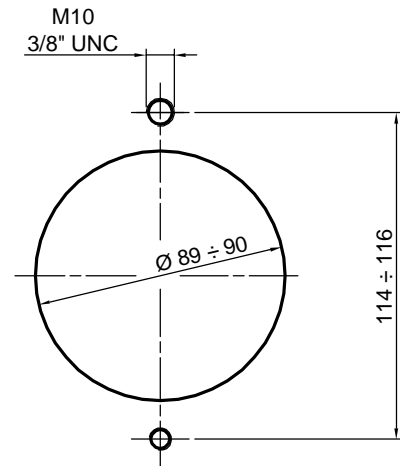
Thread connections		
Tipo	A	T
G1	G 3/4"	G 1/8"
G2	G 1"	G 1/8"
G3	G 1 1/4"	G 1/8"
G4	3/4" NPT	1/8" NPT
G5	1" NPT	1/8" NPT
G6	1 1/4" NPT	1/8" NPT
G7	SAE 12 - 1 1/16" -12 UN	1/8" NPT
G8	SAE 16 - 1 5/16" -12 UN	1/8" NPT
G9	SAE 20 - 1 5/8" - 12 UN	1/8" NPT

Symbol



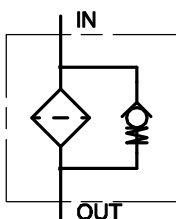


Holes on the tank



Lengths				
Type	H	H1	Ø B	E
1	101	120	38	4
2	148	170	38	4
3	226	250	46.5	2.5
4	328	350	46.5	2.5

Symbol



Additional Connections - C / D

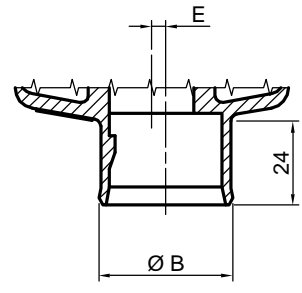
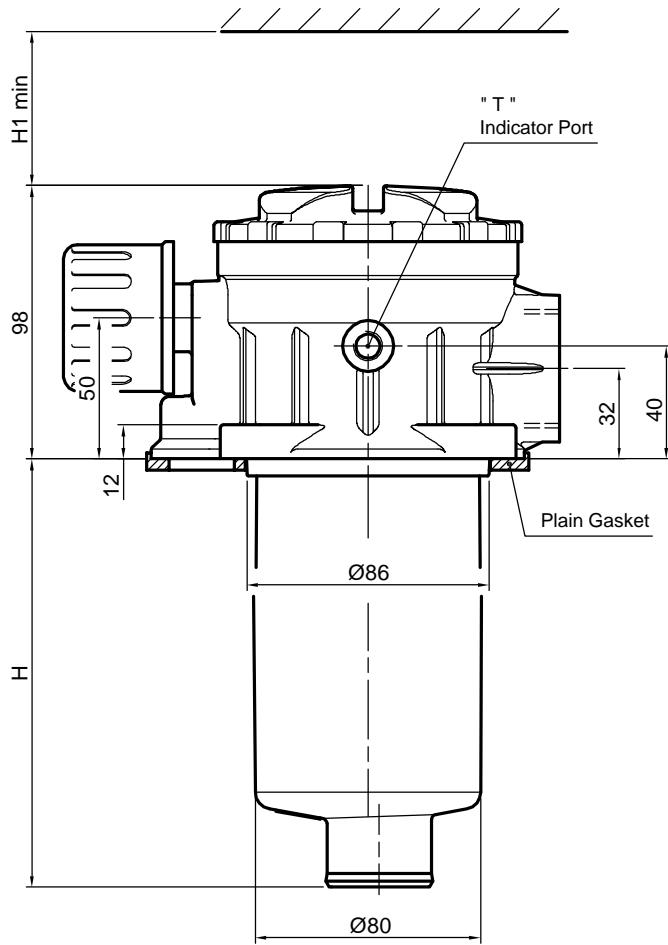
With indicator port type " T "

Thread connections

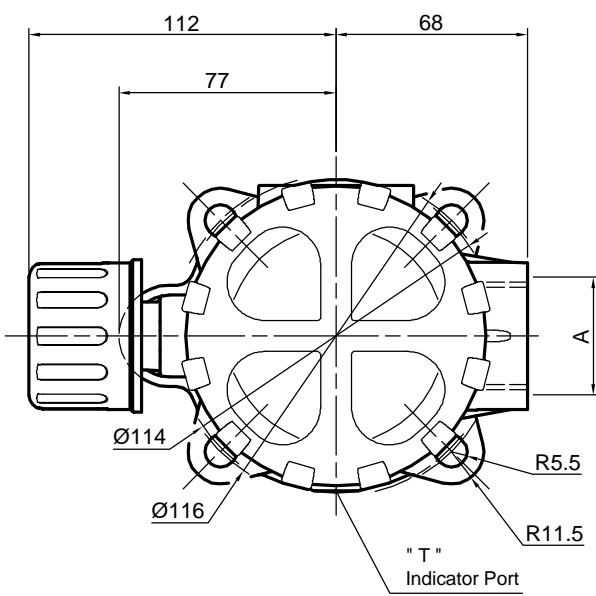
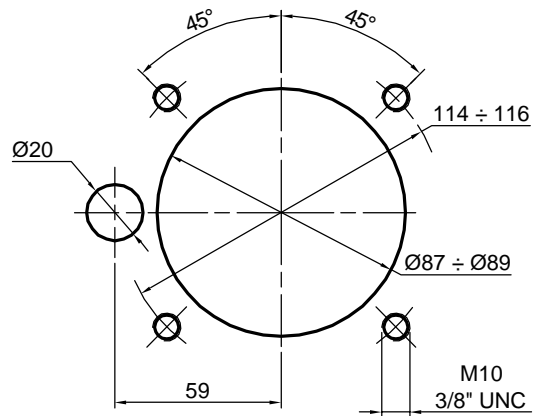
Type			A	T - C	D
G1	C1	D1	G 3/4"	G 1/8"	G 1/4"
G2	C2	D2	G 1"	G 1/8"	G 1/4"
G3	C3	D3	G 1 1/4"	G 1/8"	G 1/4"
G4	C4	D4	3/4" NPT	1/8" NPT	1/4" NPT
G5	C5	D5	1" NPT	1/8" NPT	1/4" NPT
G6	C6	D6	1 1/4" NPT	1/8" NPT	1/4" NPT
G7	C7	D7	SAE 12 - 1 1/16" -12 UN	1/8" NPT	1/4" NPT
G8	C8	D8	SAE 16 - 1 5/16" -12 UN	1/8" NPT	1/4" NPT
G9	C9	D9	SAE 20 - 1 5/8" - 12 UN	1/8" NPT	1/4" NPT

With additional connections type " D "

With additional connections type " C "



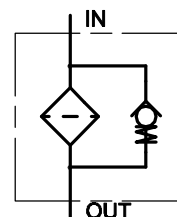
Holes on the tank

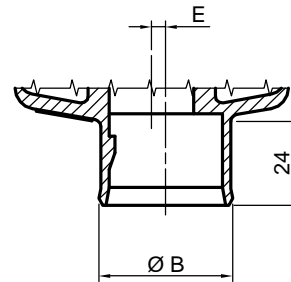
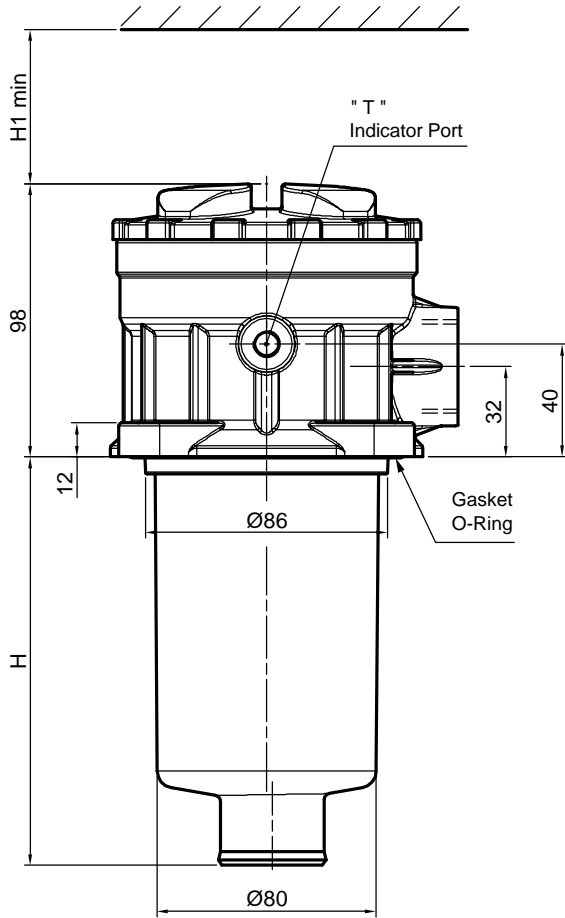


Lengths				
Type	H	H1	Ø B	E
1	101	120	38	4
2	148	170	38	4
3	226	250	46.5	2.5
4	328	350	46.5	2.5

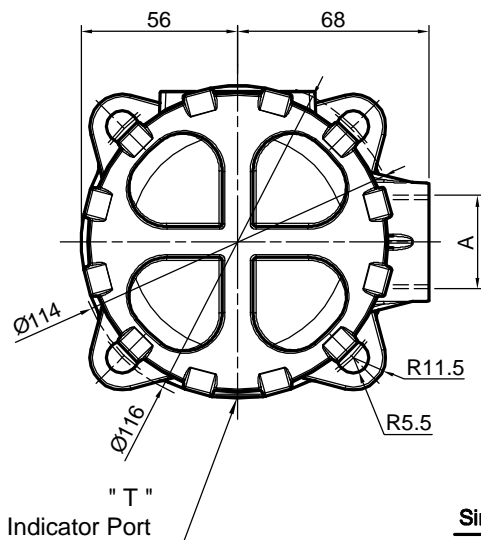
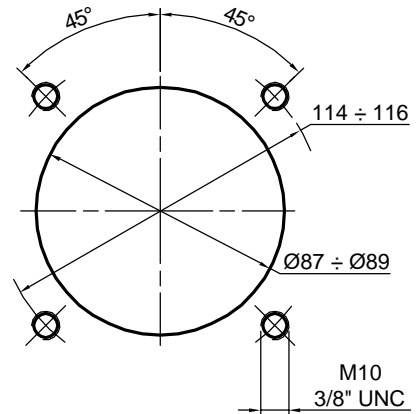
Thread connections		
Type	A	T
G1	G 3/4"	G 1/8"
G2	G 1"	G 1/8"
G3	G 1 1/4"	G 1/8"
G4	3/4" NPT	1/8" NPT
G5	1" NPT	1/8" NPT
G6	1 1/4" NPT	1/8" NPT
G7	SAE 12 - 1 1/16" -12 UN	1/8" NPT
G8	SAE 16 - 1 5/16" -12 UN	1/8" NPT
G9	SAE 20 - 1 5/8" - 12 UN	1/8" NPT

Symbol





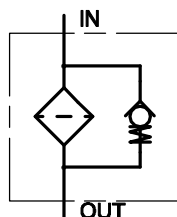
Holes on the tank

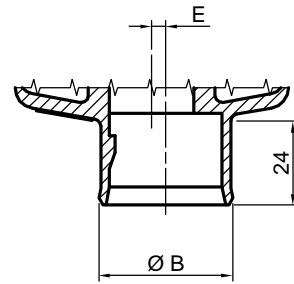
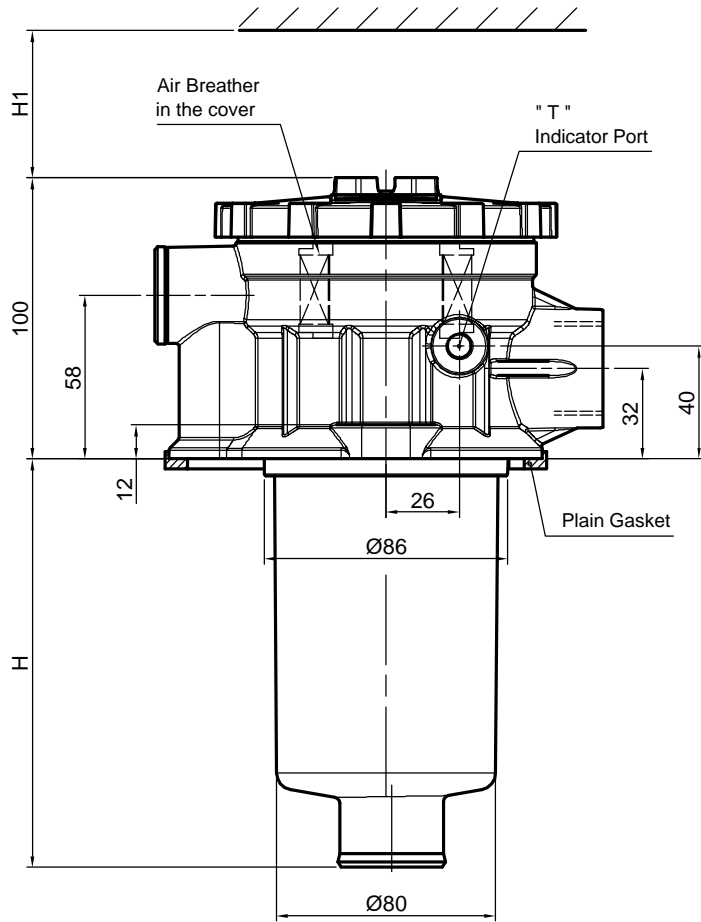


Lengths				
Type	H	H1	Ø B	E
1	101	120	38	4
2	148	170	38	4
3	226	250	46.5	2.5
4	328	350	46.5	2.5

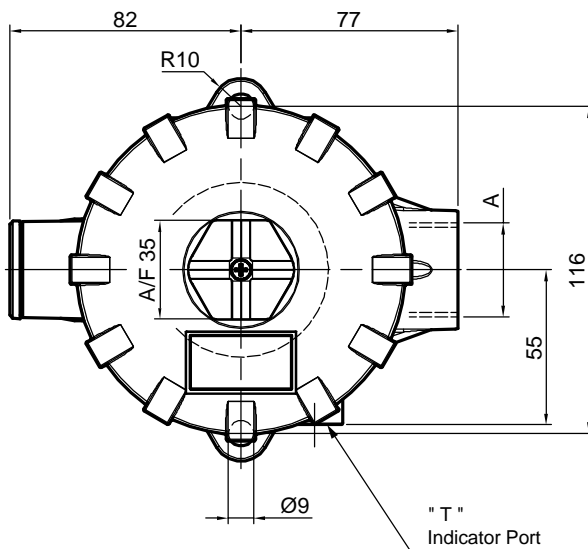
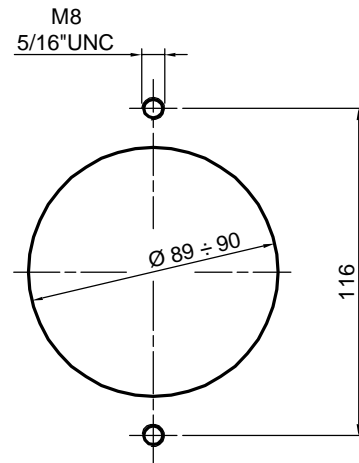
Thread connections		
Type	A	T
G1	G 3/4"	G 1/8"
G2	G 1"	G 1/8"
G3	G 1 1/4"	G 1/8"
G4	3/4" NPT	1/8" NPT
G5	1" NPT	1/8" NPT
G6	1 1/4" NPT	1/8" NPT
G7	SAE 12 - 1 1/16" -12 UN	1/8" NPT
G8	SAE 16 - 1 5/16" -12 UN	1/8" NPT
G9	SAE 20 - 1 5/8" - 12 UN	1/8" NPT

Symbol





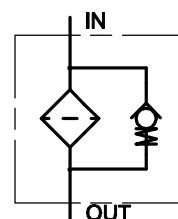
Holes on the tank

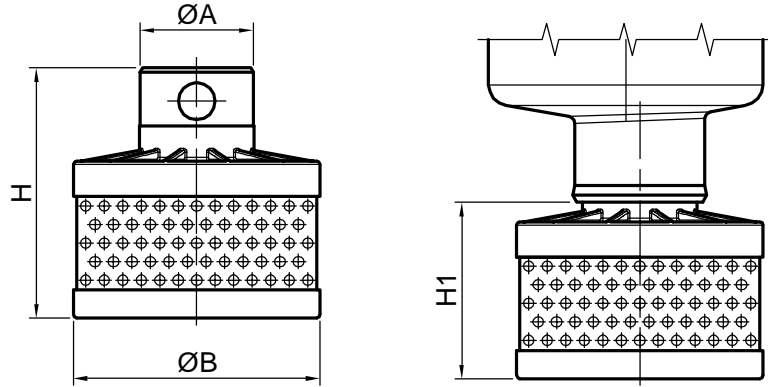


Lengths				
Type	H	H1	Ø B	E
1	101	120	38	4
2	148	170	38	4
3	226	250	46.5	2.5
4	328	350	46.5	2.5

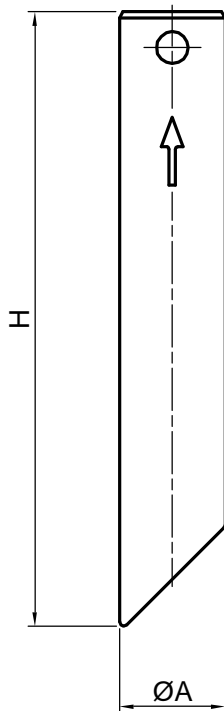
Thread connections		
Type	A	T
G2	G 1"	G 1/8"

Symbol



Diffuser with fast lock


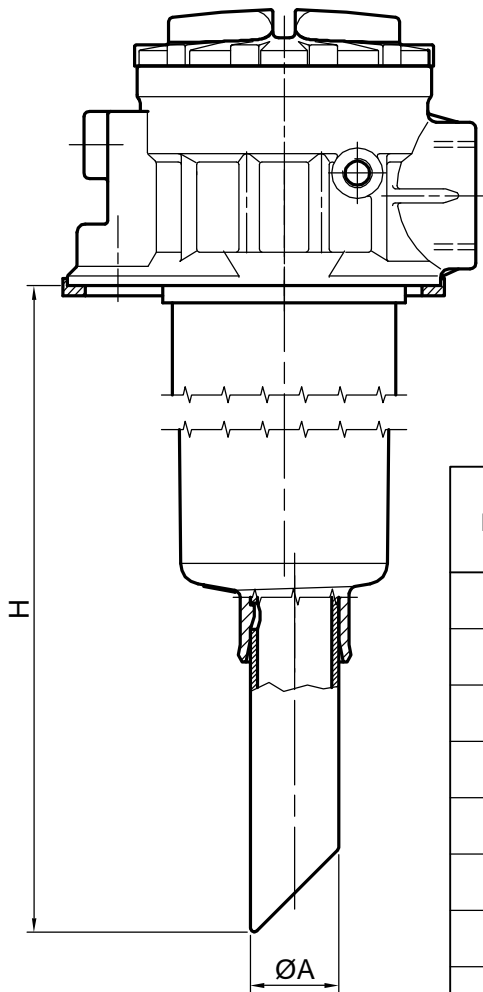
Code	Ø A	Ø B	H	H1	Size MPT (Option P01)	Length
DFS32A075	32	70	75	50	100 - 101 - 104 105	1 - 2
DFS40A075	40	70	75	50	100 - 101 - 104 105	3 - 4

**Standard Nylon Extension Tube
 Supplied not assembled**


Code	H	Ø A	Size MPT (Option P01)	Length
TE32A300	300	32	100 - 101 - 104 105	1 - 2
TE32A500	500			
TE40A200	200	40	100 - 101 - 104 105	3 - 4
TE40A250	250			
TE40A300	300			
TE40A350	350			
TE40A400	400			
TE40A500	500			

" H " Dimensions

Filter assembled with
 Standard Nylon Extension Tube

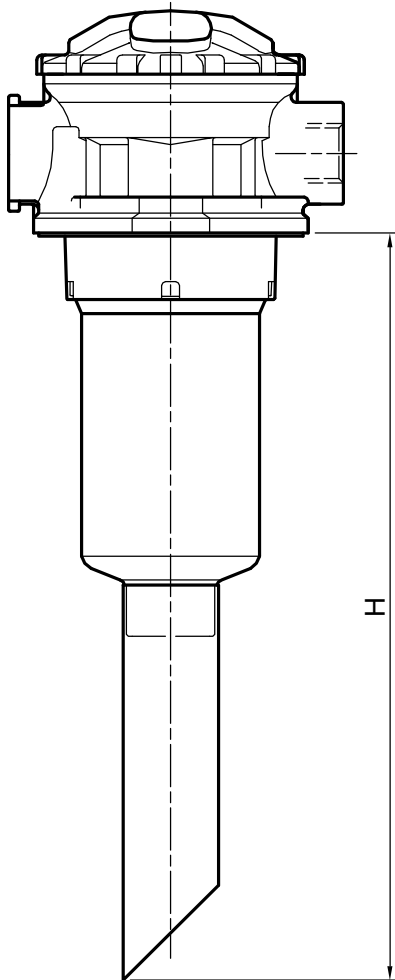


Tube Exstension Code	MPT..... P01	Length	H	Ø A	
TE32A300	100	1	373	32	
		2	420		
TE32A500		1	573	40	
		2	620		
TE40A200		3	400	40	
		4	500		
TE40A250		3	450		
TE40A300		101	4		550
		104	3		500
105			4		600
	TE40A350	104	3		550
TE40A400		104	4		650
	TE40A450	105	3		600
TE40A500		105	4		700
			3	650	
		4	750		
		3	700		
		4	800		

Option 10

Filter MPT.....**Sxx**

Filter assembly with Steel Extension Tube mounted
 (For filter sizes 020 - 021 - 024 only)



MPT Series	Length
020 - 021 - 024	1 - 2 - 3

Code (Option 9)	H *
S25	250 mm
S30	300 mm
S35	350 mm
S40	400 mm
S... mm

* Lengths are in multiple of 50 mm

Filter Code Example :

H length = 300 mm

MPT 021 2 x xx xxx x x **S30**



RETURN FILTER
MPT SERIES
Ordering information

Date: 02 / 2008
Page: 13 / 14
Brochure No.:
CTBMPTB0208UK

Filter assembly
MPT

		1	2	3	4	5	6	9	10a
		<input type="checkbox"/>	<input type="checkbox"/>	<input type="checkbox"/>	<input type="checkbox"/>	<input type="checkbox"/>	<input type="checkbox"/>	<input type="checkbox"/>	<input type="checkbox"/>
Example 1:	MPT	100	2	C	A	G3	A06	B	P01
Example 2:	MPT	024	1	S	A	G1	M60	E	P01

Filter Element
MF

		1	2	6	7	8	9	10b
		<input type="checkbox"/>	<input type="checkbox"/>	<input type="checkbox"/>	<input type="checkbox"/>	<input type="checkbox"/>	<input type="checkbox"/>	<input type="checkbox"/>
Example 1:	MF	100	2	A06	H	B		P01
Example 2:	MF	020	1	M60	N	B	E	P01

1 - Nominal size

Filter	Filter Element
020, 021, 024	020
100, 101, 104	100
105	

2 - Lengths

Size	
020, 021, 024	1, 2, 3
100, 101, 104	1, 2, 3, 4
105	

3 - Air Breather

S Without Air Breather (Not available for MPT105)
C With 10 µm Air Breather
M With 40 µm Air Breather (Not available for MPT105)

4 - Filter seals & Treatment

A NBR
V FPM
W NBR, Head Anodized - Filter element compatible with fluid FHA, FHB, FHC (Only for Filter element type Axx e Mxx)
Z FPM, Head Anodized - Filter element compatible with fluid FHA, FHB, FHC (Only for Filter element type Axx e Mxx)

5 - Port option

Type	MPT 020 - 021 - 024	MPT 100 - 101 - 104	MPT 105
G1	G 3/8"	G 3/4"	---
G2	G 1/2"	G 1"	G 1"
G3	G 3/4"	G 1 1/4"	---
G4	3/8" NPT	3/4" NPT	---
G5	1/2" NPT	1" NPT	---
G6	3/4" NPT	1 1/4" NPT	---
G7	SAE 6	SAE 12	---
G8	SAE 8	SAE 16	---
G9	SAE 12	SAE 20	---

6 - Filter Element

- N Series
P10 Resin-impregnated paper
P25 " " "
M25 Wire mesh
M60 " "
M90 " "

- H Series
A03 Inorganic microfibre 3 µm
A06 " " 6 µm
A10 " " 10 µm
A16 " " 16 µm
A25 " " 25 µm

7 - Filter Element collapse pressure

N Δp 10 bar (Only for Filter element type Pxx e Mxx)
H Δp 10 bar (Only for Filter element type Axx)
W Δp 10 bar compatible with fluid FHA, FHB, FHC (Only for Filter element type Axx e Mxx)

8 - Filter Element seals

B NBR
V FPM

9 - Bypass valve

B Bypass 1.75 bar ±10% (Standard setting - Omit in the Element code)
E Bypass 3 bar ±10%

10 - Option

a) Filter
P01 MP Filtri standard
Sxx Filter with special bowl & steel extension tube mounted (Only for MPT020, 021, 024)

b) Filter Element
P01 MP Filtri standard

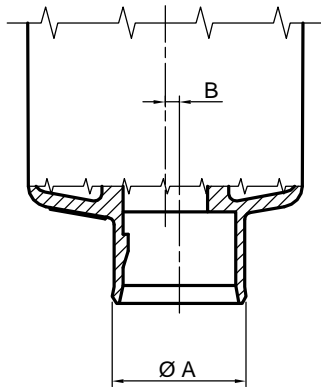
MP Filtri - Filtration products will only be guaranteed if original MP Filtri replacement elements and spares are used.

Data in this publication are guidelines only. MP Filtri reserves the right to make changes to models described herein at any time.
Copyright. All rights reserved.

Old vs New Bowl Dimensions

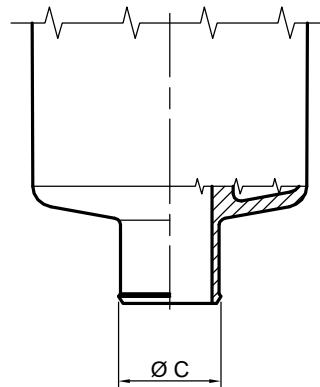
P01

New Version
 (Bowl for standard
 nylon extension tube)



R01

Old Version



MPT	Length	P01 New Standard		R01 Old
		Ø A	B	Ø C
100 - 101 - 104	1	38	4	29
	2			29
	3	46.5	2.5	40.5
	4			-